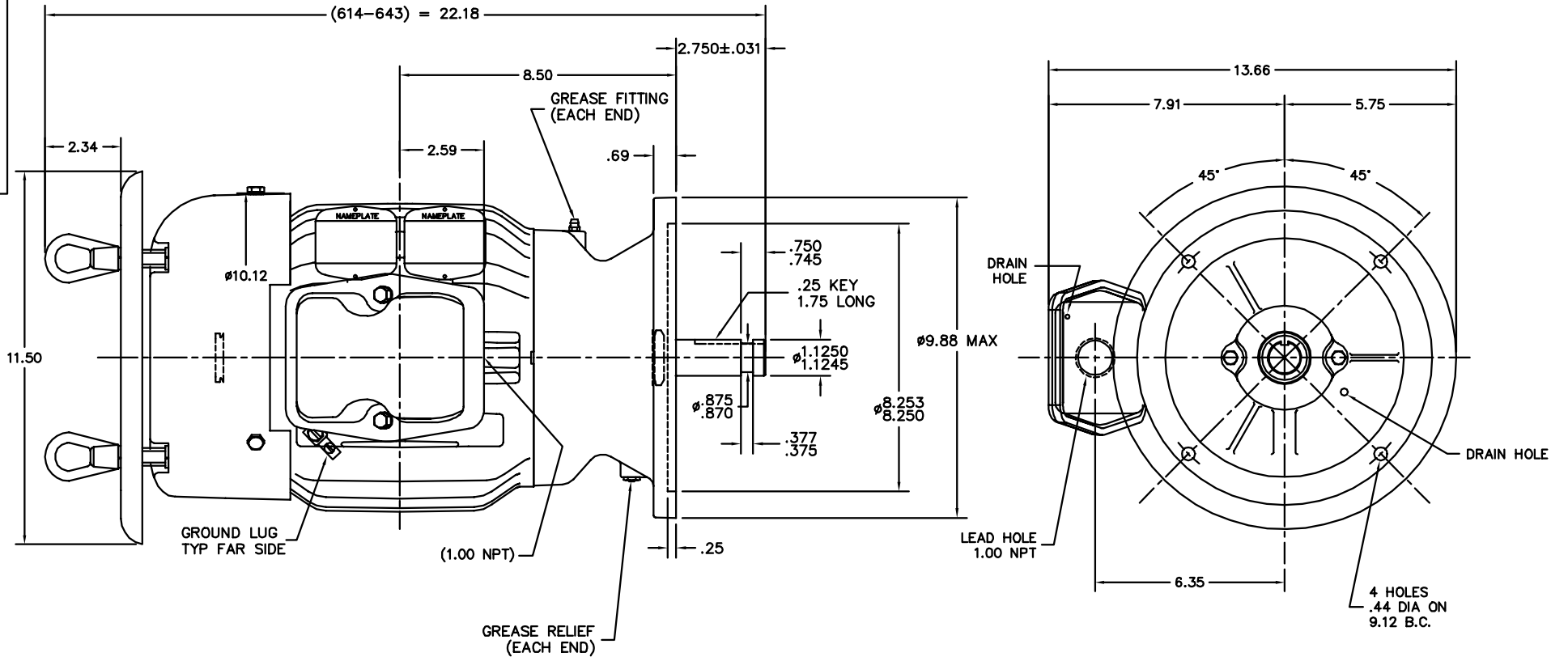


06LYF063



CUSTOMER IS RESPONSIBLE FOR DETERMINING THAT BALDOR'S PRODUCT WILL PERFORM SUITABLY IN THE INTENDED APPLICATION.

REV. DESC: ADDED LEAD HOLE CALLOUT TO LEFT HAND VIEW		
REV. LTR: M	VERSION: 05	TDR: 000000841842
FILE: \AAA\00015\584	REVISED: 02:14:44 02/28/2014	BY: ENSTES0
MTL: -		

**BALDOR**

STD VERT 182-4LP TEFC 306M CP

SH 1 of 1

06LYF063