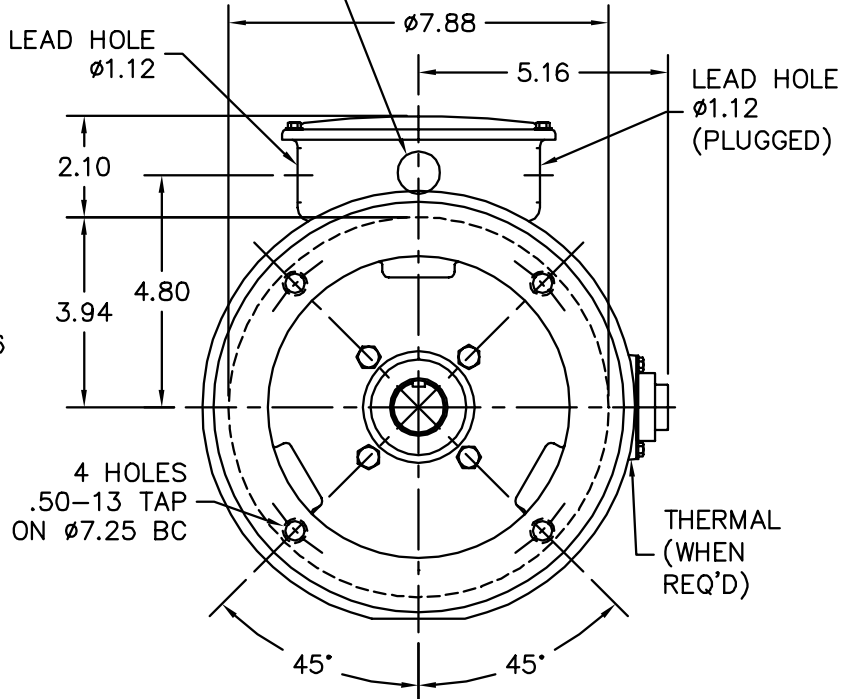


1 X ø.88 KNOCKOUT (PU END)  
 2 X ø.88 KNOCKOUTS (FR END)



CUSTOMER IS RESPONSIBLE FOR DETERMINING THAT BALDOR'S PRODUCT WILL PERFORM SUITABLY IN THE INTENDED APPLICATION.

REV. DESC: NEW		
REV. LTR: -	VERSION: 00	TDR: 00000947458
FILE: \AAA\00222\796	REVISED: 02:03:40 11/04/2015	BY: ENCARCO
MTL: -	⊙ □	

**BALDOR**

VER 182-4TC TEFC M F3 W/DODGE SSB BK, 35CB4007

SH 1 of 1

36LYQ614