

# PRODUCT INFORMATION PACKET



Model No: 119554.00  
Catalog No: 119554.00  
1.50 HP Unit Handling Motor, 3 phase, 1800 RPM, 230/460 V, 56HC Frame, TEFC  
Unit Handling Motors



Regal and Leeson are trademarks of Regal Beloit Corporation or one of its affiliated companies.  
©2019 Regal Beloit Corporation, All Rights Reserved. MC017097E





**Nameplate Specifications**

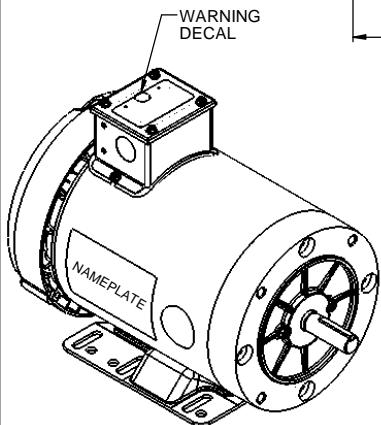
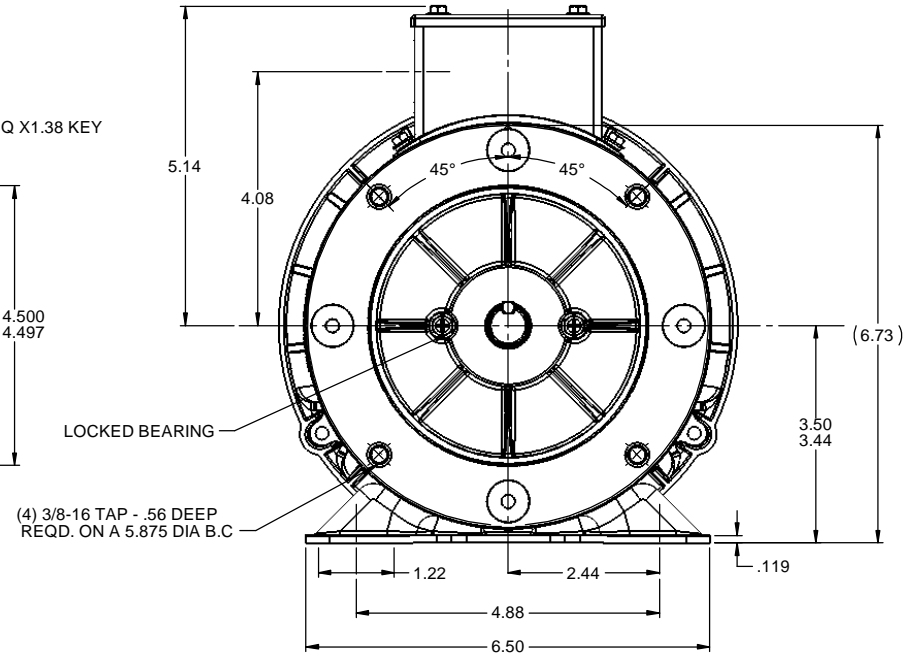
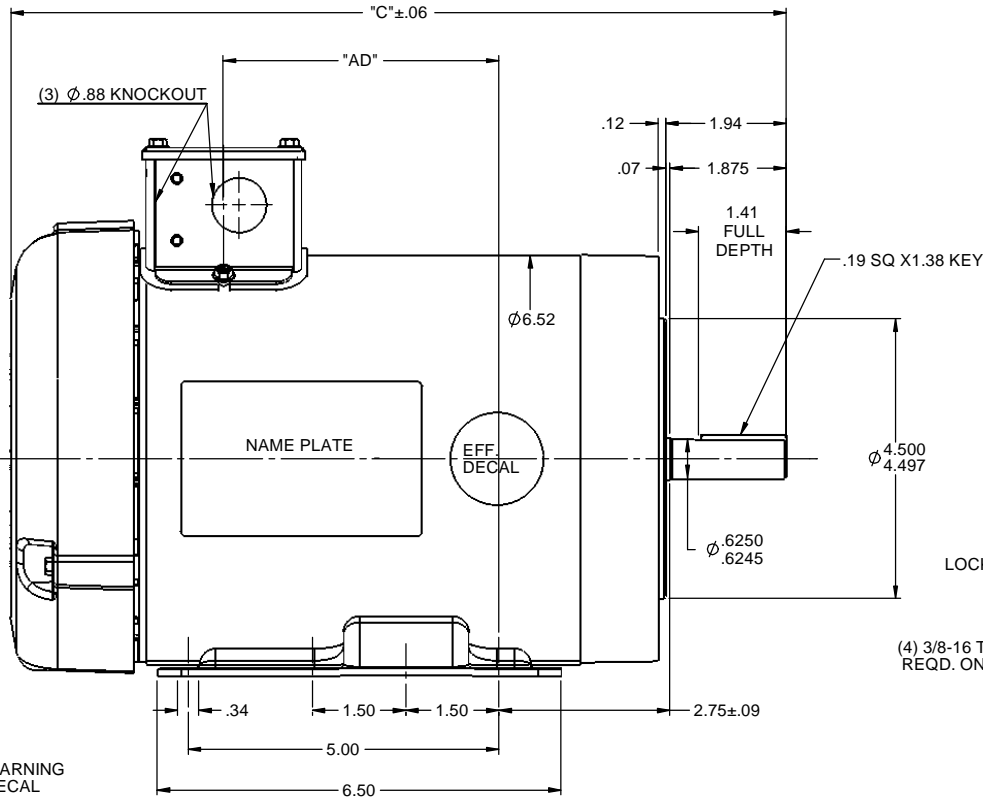
Output HP	<b>1.50 Hp</b>	Output KW	<b>1.1 kW</b>
Frequency	<b>60 Hz</b>	Voltage	<b>230/460 V</b>
Current	<b>4.8/2.4 A</b>	Speed	<b>1750 rpm</b>
Service Factor	<b>1.15</b>	Phase	<b>3</b>
Efficiency	<b>86.5 %</b>	Power Factor	<b>67.7</b>
Duty	<b>Continuous</b>	Insulation Class	<b>F</b>
Design Code	<b>B</b>	KVA Code	<b>L</b>
Frame	<b>56HC</b>	Enclosure	<b>Totally Enclosed Fan Cooled</b>
Thermal Protection	<b>No</b>	Ambient Temperature	<b>40 °C</b>
Drive End Bearing Size	<b>6203</b>	Opp Drive End Bearing Size	<b>6203</b>
UL	<b>Recognized</b>	CSA	<b>Y</b>
CE	<b>N</b>	IP Code	<b>43</b>

**Technical Specifications**

Electrical Type	<b>Squirrel Cage Induction Run</b>	Starting Method	<b>Across The Line</b>
Poles	<b>4</b>	Rotation	<b>Reversible</b>
Resistance Main	<b>9.12 Ohms</b>	Mounting	<b>Rigid base</b>
Motor Orientation	<b>Horizontal</b>	Drive End Bearing	<b>Ball</b>
Opp Drive End Bearing	<b>Ball</b>	Frame Material	<b>Rolled Steel</b>
Shaft Type	<b>NEMA 56</b>	Overall Length	<b>12.98 in</b>
Frame Length	<b>7.50 in</b>	Shaft Diameter	<b>0.625 in</b>
Shaft Extension	<b>1.94 in</b>	Assembly/Box Mounting	<b>F3</b>

This is an uncontrolled document once printed or downloaded and is subject to change without notice. Date Created:01/11/2019

RBC PROPRIETARY AND CONFIDENTIAL INFORMATION  
 This document is the property of REGAL BELOIT CORPORATION ("RBC") including its subsidiaries and divisions and contains proprietary information of RBC. This document is loaned on the express condition that neither it nor the information contained therein shall be disclosed to others without the express written consent of RBC, and that the information shall be used by the recipient only as approved expressly by RBC. This document shall be returned to RBC upon its request. This document may be subject to certain restrictions under U.S. export control laws and regulations.



MAXIMUM FACE RUNOUT TO BE .004 T.I.R  
 MAXIMUM PILOT ECCENTRICITY .004 T.I.R  
 PERMISSIBLE SHAFT RUNOUT .002 T.I.R

DASH NO.	"C"	"AD"
700	12.48	4.44
750	12.98	4.94
800	13.48	5.44
850	13.98	5.94
900	14.48	6.44

NOTE:  
 1) GASKETS THROUGHOUT

TOLERANCES UNLESS SPECIFIED		LEESON	ELECTRIC MOTORS GEARMOTORS AND DRIVES	DRAWN JD 11/05/2011
DEC	INCHES			
X	±.1			APPR
XX	±.03	TITLE	OUTLINE - 56H FRAME	SCALE 1:2
XXX	±.005		C-FACE T.E.F.C	REF 607-0027
XXXX	±.0005	MATL	GENERAL PURPOSE	FMF 117707.00
NO	REVISION	BY & DATE	FINISH	PAGE OF
	THIRD ANGLE PROJECTION	CHK LANG ±1/2"	PREV	SIZE DRAWING NO
		RFPP	607-0029	B 607-0029
		NETWORK FILE NAME		REV