

PRODUCT INFORMATION PACKET



Model No: 141276.00
Catalog No: 141276.00
10 HP Washdown Motor, 3 phase, 1800 RPM, 230/460 V, 215JM Frame, TEFC
All Stainless JM Pump Motors



Regal and Leeson are trademarks of Regal Beloit Corporation or one of its affiliated companies.
©2019 Regal Beloit Corporation, All Rights Reserved. MC017097E





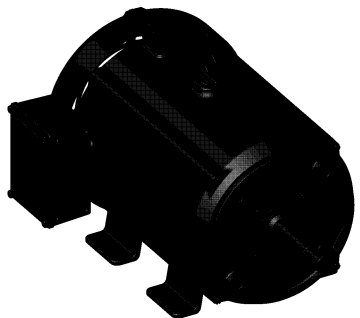
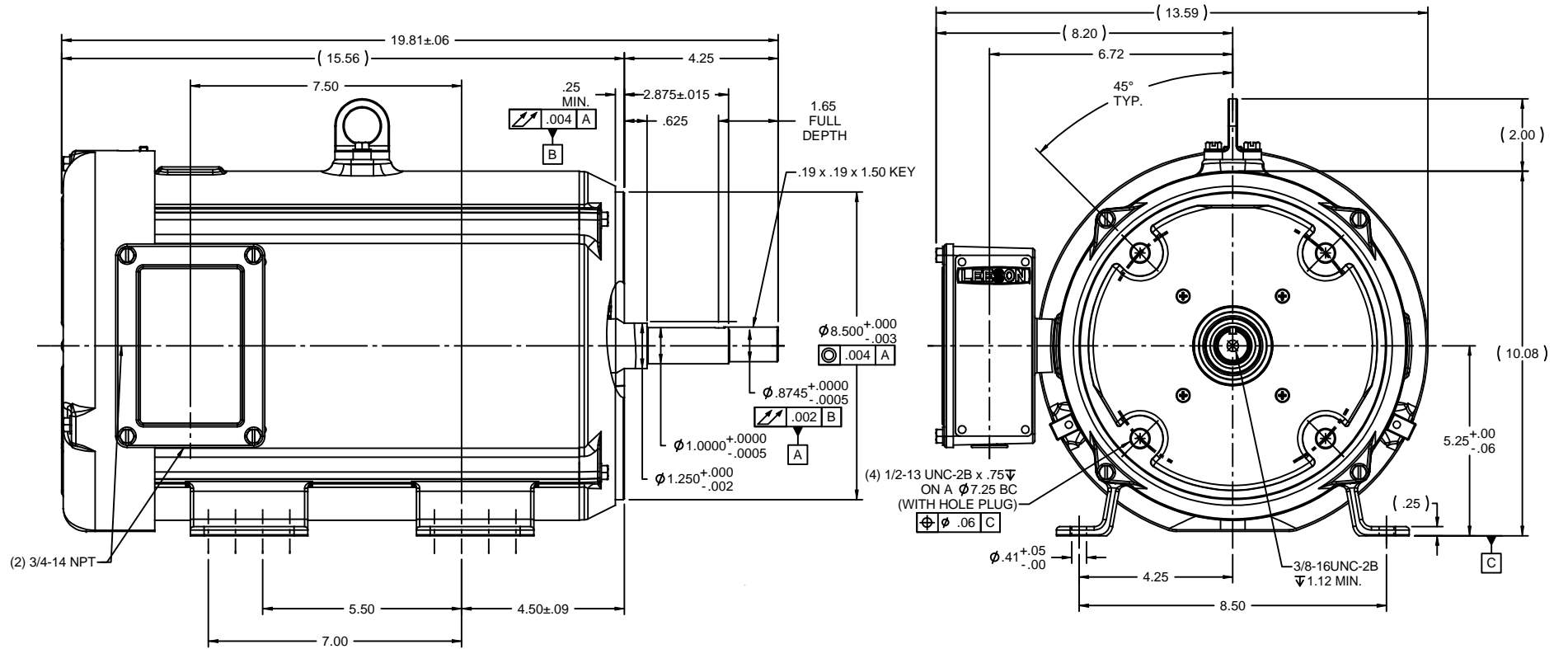
Nameplate Specifications

Output HP	10 Hp	Output KW	7.5 kW
Frequency	60 Hz	Voltage	230/460 V
Current	26.4/13.2 A	Speed	1760 rpm
Service Factor	1.15	Phase	3
Efficiency	91.7 %	Power Factor	77.5
Duty	Continuous	Insulation Class	F
Design Code	B	KVA Code	H
Frame	215JM	Enclosure	Totally Enclosed Fan Cooled
Thermal Protection	No	Ambient Temperature	40 °C
Drive End Bearing Size	6209	Opp Drive End Bearing Size	6207
UL	Recognized	CSA	Y
CE	Y	IP Code	43


Technical Specifications

Electrical Type	Squirrel Cage Inverter Rated	Starting Method	Line Or Inverter
Poles	4	Rotation	Reversible
Resistance Main	.9 Ohms	Mounting	Rigid base
Motor Orientation	Horizontal	Drive End Bearing	Ball
Opp Drive End Bearing	Ball	Frame Material	Stainless Steel
Shaft Type	JM	Overall Length	19.81 in
Frame Length	12.00 in	Shaft Diameter	1.250 in
Shaft Extension	4.25 in	Assembly/Box Mounting	F1 Only

This is an uncontrolled document once printed or downloaded and is subject to change without notice. Date Created:01/11/2019



ISOMETRIC VIEW
SCALE 1=6

		TOLERANCES UNLESS SPECIFIED		 ELECTRIC MOTORS GEARMOTORS AND DRIVES	DRAWN JJK 07/21/04
		DEC	INCHES		CHK
		X	±.1		APPR
		XX	±.03		SCALE 3:8
		XXX	±.005	TITLE OUTLINE - 210TC FRAME TEFC - RIGID "C" - JM PUMP	REF 037616
		XXXX	±.0005	MAT'L WASHGUARD ALL STAINLESS STEEL MOTOR	FMF
NO	REVISION	BY & DATE	CHK ANG ±1/2°	FINISH	PREV
THIS DRAWING IN DESIGN AND DETAIL IS OUR PROPERTY AND MUST NOT BE USED EXCEPT IN CONNECTION WITH OUR WORK. ALL RIGHTS OF DESIGN AND INVENTION ARE RESERVED. THIS IS AN ELECTRONICALLY GENERATED DOCUMENT - DO NOT SCALE THIS PRINT			RFP	CAD FILE 037618	SIZE B
			DIST NLV		DRAWING NO 037618
					REV