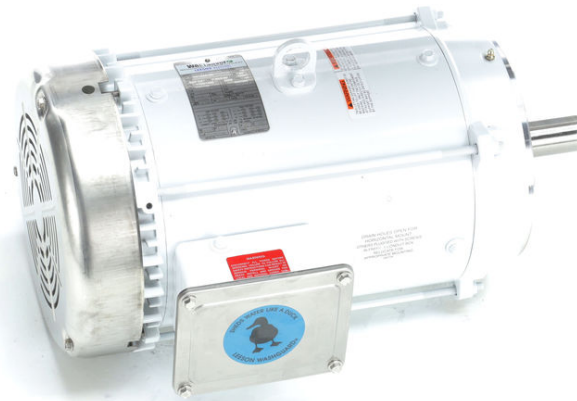


PRODUCT INFORMATION PACKET



Model No: 141268.00
Catalog No: 141268.00
10 HP Washdown Motor, 3 phase, 1800 RPM, 230/460 V, 215TC Frame, TEFC
White Epoxy General Purpose Motors



Regal and Leeson are trademarks of Regal Beloit Corporation or one of its affiliated companies.
©2020 Regal Beloit Corporation, All Rights Reserved. MC017097E

The Regal logo is the word "REGAL" in a bold, sans-serif font, set within a dark grey, trapezoidal shape that tapers to the right. The logo is positioned on a blue background with a halftone dot pattern that transitions from light blue at the top to dark blue at the bottom.

REGAL



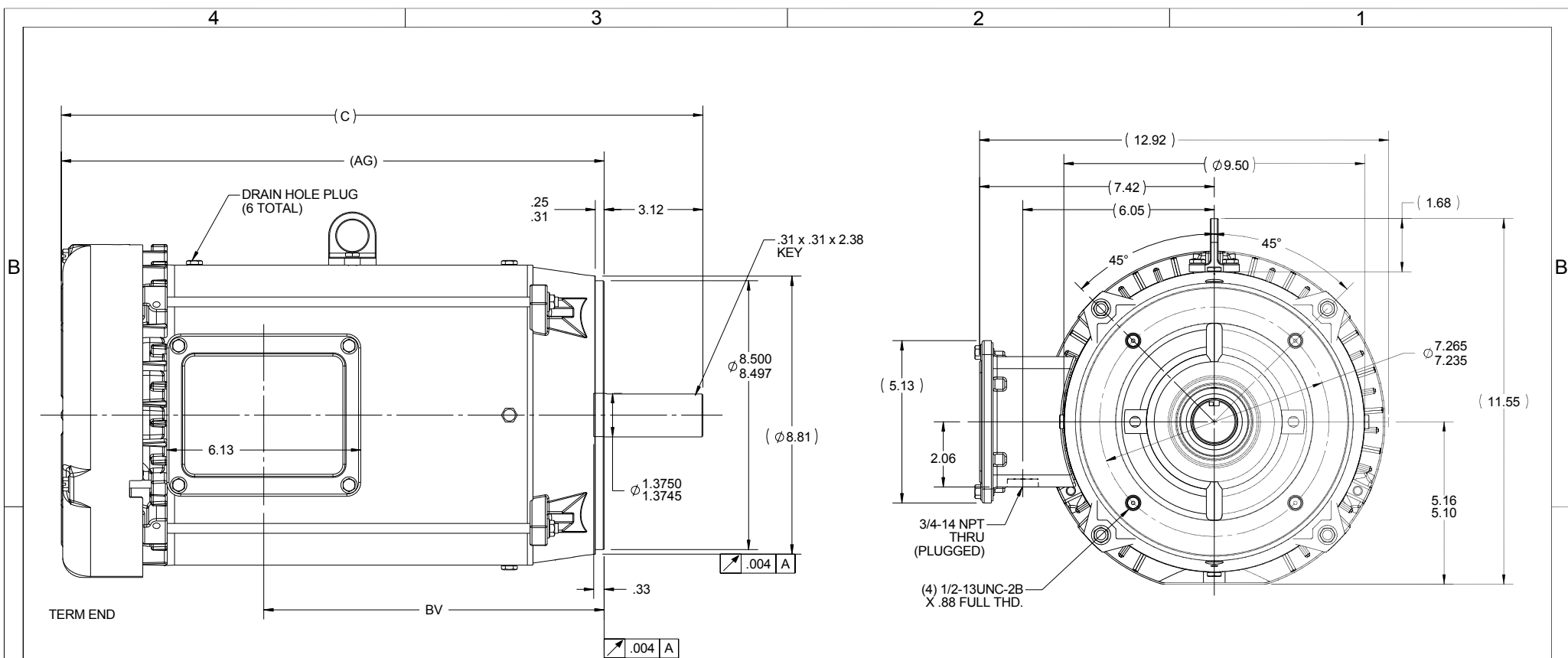
Nameplate Specifications

| | | | |
|------------------------|-------------------|----------------------------|-----------|
| Output HP | 7 1/2 Hp | Output KW | 7.5 kW |
| Frequency | 60 Hz | Voltage | 230/460 V |
| Current | 26.4/13.2 A | Speed | 1465 rpm |
| Service Factor | 1.15 | Phase | 3 |
| Efficiency | 91.7 % | Power Factor | 77.5 |
| Duty | CONTINUOUS | Insulation Class | F4 |
| Design Code | B | KVA Code | H |
| Frame | 215TC | Enclosure | TEFC |
| Thermal Protection | NOT | Ambient Temperature | 40 °C |
| Drive End Bearing Size | 6309 | Opp Drive End Bearing Size | 6206 |
| UL | Y-(LEESON UL REC) | CSA | Y |
| CE | Y | IP Code | 55 |

Technical Specifications

| | | | |
|-----------------------|-----------------------------|-----------------------|-----------------|
| Electrical Type | Squirrel Cage Induction Run | Starting Method | ACROSS THE LINE |
| Poles | 4 | Rotation | REV |
| Resistance Main | .9 Ohms | Mounting | ROUND |
| Motor Orientation | HORIZONTAL | Drive End Bearing | BALL |
| Opp Drive End Bearing | BALL | Frame Material | ROLLED STEEL |
| Shaft Type | T | Overall Length | 20.27 in |
| Frame Length | 11.15 in | Shaft Diameter | 1 3/8 in |
| Shaft Extension | 3.4 in | Assembly/Box Mounting | F1 ONLY |
| Outline Drawing | 038049-1115 | Connection Drawing | 005010.01 |

This is an uncontrolled document once printed or downloaded and is subject to change without notice. Date Created:20/05/2020



NOTES:

- 1- NAMEPLATE TO BE READ FROM C'BOX SIDE OF MOTOR.
DASH 965 TO BE READ FROM OPPOSITE SHAFT END
- 2- C'BOX CAN BE MOUNTED ON OPPOSITE SIDE BY REMOVING BRACKETS AND TURNING FRAME 180 DEGREES (EXCEPT AS NOTED).

ORACLE REV
001

| DASH | FRAME | C | BV | AG | MOUNTING |
|------|---------|-------|-------|-------|----------|
| 965 | 213T | 18.77 | 9.26 | 15.65 | |
| 1115 | 213/15T | 20.27 | 10.76 | 17.15 | |
| 1240 | 215T | 21.52 | 12.01 | 18.40 | F1 ONLY |

| | | |
|---|-------------------|--------------------|
| DRAWING REVISION A | REVISION BY SL | DATE 11/05/2015 |
| ECO ECO-0086119 | APPROVED BY SR | DATE 11/05/2015 |
| ECO DESCRIPTION NEW DRAWING | | |
| <small>COPYRIGHT REGAL BELOIT AMERICA, INC. ALL RIGHTS RESERVED. PROPRIETARY AND CONFIDENTIAL INFORMATION - THIS DOCUMENT IS THE PROPERTY OF REGAL BELOIT AMERICA, INC. ("OWNER") AND CONTAINS OWNER'S PROPRIETARY INFORMATION. ANY PERSON, CORPORATION OR OTHER FIRM RECEIVING IT IS DEEMED, BY RECEIVING IT, TO AGREE THAT IT, AND/OR ANY PART OF IT, SHALL NOT BE DISCLOSED TO ANY PERSON, CORPORATION OR OTHER ENTITY, DUPLICATED, AND/OR USED, EXCEPT AS EXPRESSLY APPROVED IN WRITING IN ADVANCE BY OWNER. THIS DOCUMENT SHALL BE RETURNED TO OWNER UPON REQUEST. IT MAY BE SUBJECT TO CERTAIN RESTRICTIONS UNDER APPLICABLE EXPORT CONTROL LAWS AND REGULATIONS.</small> | | |

| | | | |
|--|--------------|-----------|-----------------|
| TOLERANCES UNLESS OTHERWISE SPECIFIED: | | | |
| DEC. | INCH | mm | ANGLE |
| -X | +0.1 | [+2.5] | $\pm 0.5^\circ$ |
| .XX | ± 0.03 | [+0.76] | |
| .XXX | ± 0.005 | [+0.127] | |
| .XXXX | ± 0.0005 | [+0.0127] | |
| REMOVE BURRS & BREAK SHARP | | | |
| EDGES: .003/.015 [.076/.381] X 45° | | | |
| CORNER FILLETS: R.02 [.51] | | | |
| MACHINED SURFACES: $\frac{125}{\sqrt{\quad}}$ INCH $\frac{3.2}{\sqrt{\quad}}$ mm | | | |
| mm SHOWN IN [BRACKETS] | | | |

| |
|------------------------|
| DRAWN BY SL |
| DATE 11/05/2015 |
| APPROVED BY SR |
| DATE 11/05/2015 |
| REFERENCE |
| THIRD ANGLE PROJECTION |

| | |
|----------------------------|---|
| Regal Beloit America, Inc. | |
| DESCRIPTION | OUTLINE WASHDOWN 210FR-TEFC-C-FACE-3PH-ROUND |
| MATERIAL | PROCESS/FINISH |
| SIZE B | DRAWING NUMBER 038049 |
| | SHEET 1 OF 1 |

005010-01

VIEW FROM OUTSIDE OF MOTOR AT SWITCH END.



| VOLTAGE | L1 | L2 | L3 | JOIN & INSULATE |
|---------|-------|-------|-------|-------------------------------|
| HIGH | T1 | T2 | T3 | (T4,T7) (T5,T8) (T6,T9) |
| LOW | T1,T7 | T2,T8 | T3,T9 | T4,T5,T6 |

| | | | | | | | | | | |
|--|-----------------------|--------------|-----|--------------------------------|----------|---|-----------|--------------------|-------------|------|
| | | | | TOLERANCES UNLESS SPECIFIED | | REGAL ™ Regal Beloit America, Inc. | | DRAWN RDW 04/12/02 | | |
| | | | | DEC. | INCHES | | | CHK | | |
| | | | | .X | ±.1 | | | APPD | | |
| | | | | .XX | ±.01 | TITLE EXTERNAL WIRING DIAGRAM 3 PHASE W/O PROTECTOR | | SCALE 1=1 | | |
| | | | | .XXX | ±.005 | | | REF FIG.2-51 | | |
| A | UPDATED TO REGAL LOGO | SAJ 06/26/15 | AJY | .XXXX | ±.0005 | MAT'L DECAL - 004014 | | FMF | | |
| NO. | REVISION | BY & DATE | CHK | ANG | ±1/2" | FINISH | | PREV | | |
| THIS DRAWING IN DESIGN AND DETAIL IS OUR PROPERTY AND MUST NOT BE USED EXCEPT IN CONNECTION WITH OUR WORK ALL RIGHTS OF DESIGN AND INVENTION ARE RESERVED THIS IS AN ELECTRONICALLY GENERATED DOCUMENT - DO NOT SCALE THIS PRINT | | | | RFP | 04/12/02 | CAD FILE 00501001 | | SIZE | DRAWING NO. | REV. |
| | | | | DIST BRF-NLV | | A | 005010-01 | A | | |