

PRODUCT INFORMATION PACKET

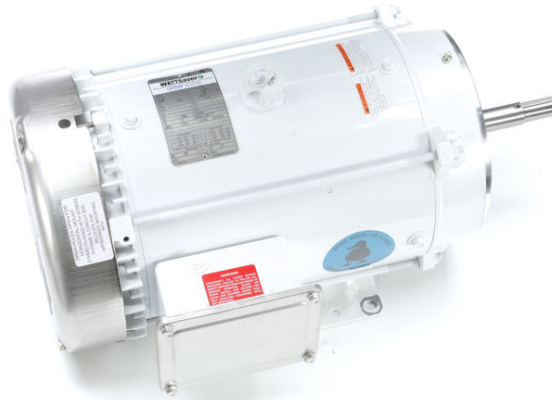


Model No: C215T34WK15A

Catalog No: 141271.00

..10HP..3600RPM.215JM.TEFC.230/460V.3PH.60HZ.CONT.40C.1.15SF.JM PUMP.....WASHDOWN
MOTORS.....

Jm Pump



Regal and Leeson are trademarks of Regal Beloit Corporation or one of its affiliated companies.

©2018 Regal Beloit Corporation, All Rights Reserved. MC017097E





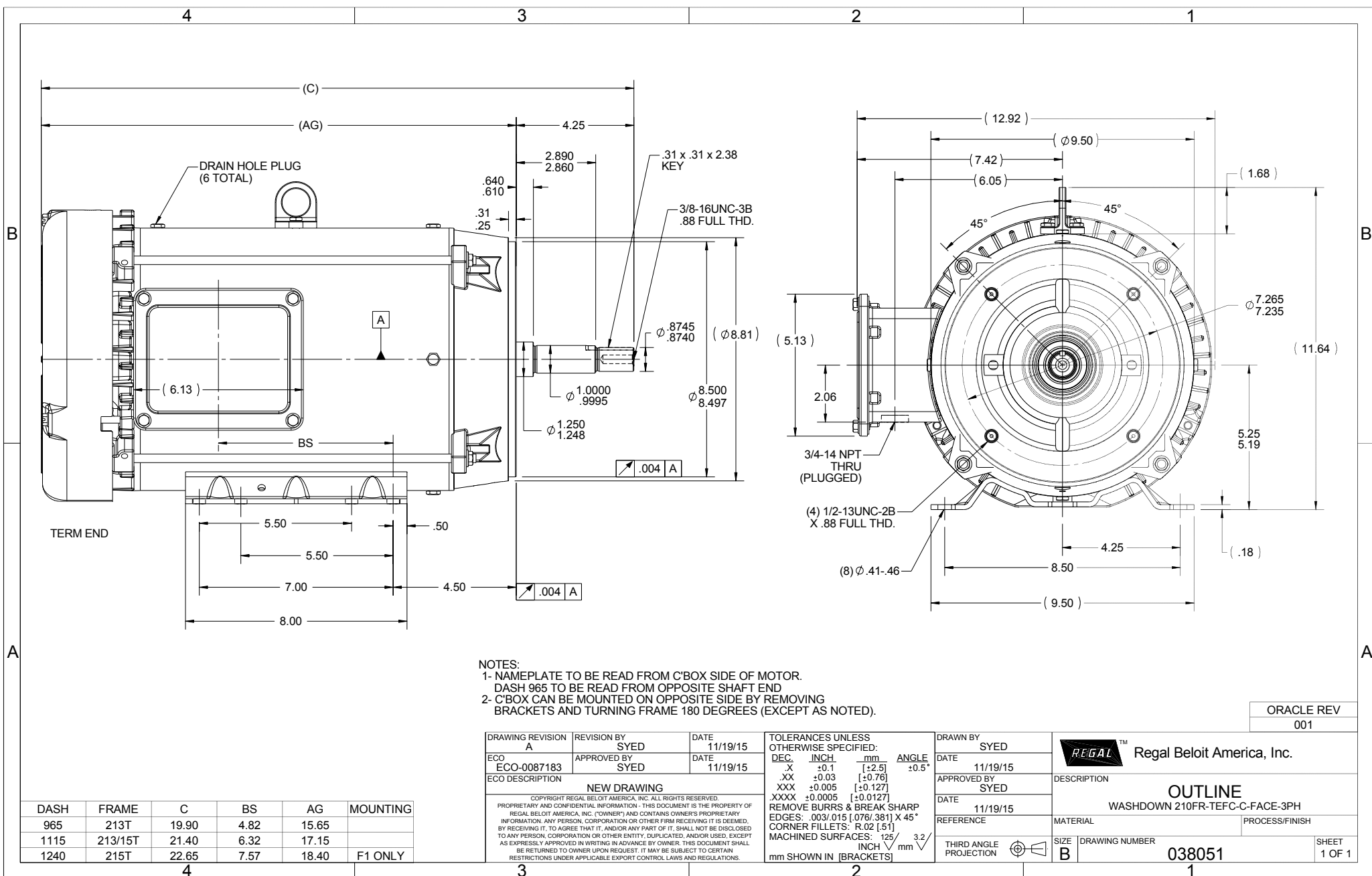
Nameplate Specifications

Output HP	10 Hp	Output KW	7.5 kW
Frequency	60 Hz	Voltage	230/460 V
Current	23.6/11.8 A	Speed	3525 rpm
Service Factor	1.15	Phase	3
Efficiency	90.2 %	Duty	Continuous
Insulation Class	B	Design Code	B
KVA Code	H	Frame	215JM
Enclosure	Totally Enclosed Fan Cooled	Overload Protector	No
Ambient Temperature	40 °C	Drive End Bearing Size	6309
Opp Drive End Bearing Size	6206	UL	Recognized
CSA	Y	CE	Y
IP Code	55		

Technical Specifications

Electrical Type	Squirrel Cage Induction Run	Starting Method	Across The Line
Poles	2	Rotation	Reversible
Mounting	Rigid base	Motor Orientation	HORIZONTAL
Drive End Bearing	BALL	Opp Drive End Bearing	BALL
Frame Material	Rolled Steel	Shaft Type	JM
Overall Length	21.40 in	Frame Length	11.15 in
Shaft Diameter	1.000 in	Shaft Extension	4.25 in
Assembly/Box Mounting	F1/F2 CAPABLE		
Outline Drawing	038051-1115	Connection Diagram	005010.01

This is an uncontrolled document once printed or downloaded and is subject to change without notice. Date Created: 10/15/2018



- NOTES:
 1- NAMEPLATE TO BE READ FROM C'BOX SIDE OF MOTOR.
 DASH 965 TO BE READ FROM OPPOSITE SHAFT END
 2- C'BOX CAN BE MOUNTED ON OPPOSITE SIDE BY REMOVING BRACKETS AND TURNING FRAME 180 DEGREES (EXCEPT AS NOTED).

ORACLE REV
001

DASH	FRAME	C	BS	AG	MOUNTING
965	213T	19.90	4.82	15.65	
1115	213/15T	21.40	6.32	17.15	
1240	215T	22.65	7.57	18.40	F1 ONLY

DRAWING REVISION A	REVISION BY SYED	DATE 11/19/15
ECO ECO-0087183	APPROVED BY SYED	DATE 11/19/15
ECO DESCRIPTION NEW DRAWING		
<small>COPYRIGHT REGAL BELOIT AMERICA, INC. ALL RIGHTS RESERVED. PROPRIETARY AND CONFIDENTIAL INFORMATION - THIS DOCUMENT IS THE PROPERTY OF REGAL BELOIT AMERICA, INC. ("OWNER") AND CONTAINS OWNER'S PROPRIETARY INFORMATION. ANY PERSON, CORPORATION OR OTHER FIRM RECEIVING IT IS DEEMED, BY RECEIVING IT, TO AGREE THAT IT, AND/OR ANY PART OF IT, SHALL NOT BE DISCLOSED TO ANY PERSON, CORPORATION OR OTHER ENTITY, DUPLICATED, AND/OR USED, EXCEPT AS EXPRESSLY APPROVED IN WRITING IN ADVANCE BY OWNER. THIS DOCUMENT SHALL BE RETURNED TO OWNER UPON REQUEST. IT MAY BE SUBJECT TO CERTAIN RESTRICTIONS UNDER APPLICABLE EXPORT CONTROL LAWS AND REGULATIONS.</small>		

TOLERANCES UNLESS OTHERWISE SPECIFIED:			
DEC.	INCH	mm	ANGLE
-X	+0.1	[+2.5]	±0.5°
.XX	±0.03	[±0.76]	
.XXX	±0.005	[±0.127]	
.XXXX	±0.0005	[±0.0127]	
REMOVE BURRS & BREAK SHARP EDGES: .003/.015 [0.076/.381] X 45°			
CORNER FILLETS: R.02 [51]			
MACHINED SURFACES: 125/3.2			
mm SHOWN IN [BRACKETS]			

DRAWN BY SYED	DATE 11/19/15
APPROVED BY SYED	DATE 11/19/15
REFERENCE	
THIRD ANGLE PROJECTION	

REGAL™ Regal Beloit America, Inc.

DESCRIPTION
OUTLINE
WASHDOWN 210FR-TEFC-C-FACE-3PH

MATERIAL
B

DRAWING NUMBER
038051

PROCESS/FINISH

SHEET
1 OF 1

005010-01

VIEW FROM OUTSIDE OF MOTOR AT SWITCH END.



VOLTAGE	L1	L2	L3	JOIN & INSULATE
HIGH	T1	T2	T3	(T4,T7) (T5,T8) (T6,T9)
LOW	T1,T7	T2,T8	T3,T9	T4,T5,T6

				TOLERANCES UNLESS SPECIFIED		Regal Beloit America, Inc.		DRAWN RDW 04/12/02				
				DEC.	INCHES			CHK				
				.X	±.1			APPD				
				.XX	±.01			SCALE 1=1				
				.XXX	±.005	TITLE		REF FIG.2-51				
A	UPDATED TO REGAL LOGO			SAJ	06/26/15	AJY	.XXXX	±.0005	MAT'L.	DECAL - 004014	FMF	
NO.	REVISION			BY & DATE	CHK	ANG	±1/2"	FINISH	PREV			
THIS DRAWING IN DESIGN AND DETAIL IS OUR PROPERTY AND MUST NOT BE USED EXCEPT IN CONNECTION WITH OUR WORK ALL RIGHTS OF DESIGN AND INVENTION ARE RESERVED THIS IS AN ELECTRONICALLY GENERATED DOCUMENT - DO NOT SCALE THIS PRINT				RFP	04/12/02		CAD FILE	00501001		SIZE	DRAWING NO.	REV.
				DIST	BRF-NLV				A	005010-01		A



CERTIFICATION DATA SHEET

1051 CHEYENNE AVE.
 GRAFTON, WI 53024
 PH. 262-377-8810

CONN. DIAGRAM: 005010.01

CATALOG #: 141271.00

OUTLINE: 038051-1115

MOUNTING: F1/F2 CAPABLE

WINDING #: K2152226 2

TYPICAL MOTOR PERFORMANCE DATA

HP	KW	SYNC. RPM	F.L. RPM	FRAME	ENCLOSURE	KVA CODE	DESIGN
10	7.50	3600	3525	215JM	TEFC	H	B

PH	Hz	VOLTS	AMPS	START TYPE	DUTY	INSL	S.F.	AMB°C
3	60	230/460	23.6/11.8	ACROSS THE LINE	CONTINUOUS	B4	1.15	40

FULL LOAD EFF:	90.2	3/4 LOAD EFF:	91.5	1/2 LOAD EFF:	90.8	GTD. EFF	88.5	ELEC. TYPE
FULL LOAD PF:	87.9	3/4 LOAD PF:	83.5	1/2 LOAD PF:	73.7	SQ CAGE IND RUN		

F.L. TORQUE	LOCKED ROTOR AMPS	L.R. TORQUE	B.D. TORQUE	F.L. RISE°C
14.9 LB-FT	159 / 79.5	27.7 LB-FT	47.1 LB-FT	60

SOUND PRESSURE @ 3 FT.	SOUND POWER	ROTOR WK^2	MAX. WK^2	SAFE STALL TIME	STARTS / HOUR	APPROX. MOTOR WGT
72 DBA	82 DBA	0.55 LB-FT^2	18 LB-FT^2	15 SEC.	2	120 LBS.

*** SUPPLEMENTAL INFORMATION ***

DE BRACKET TYPE	ODE BRACKET TYPE	MOUNT TYPE	ORIENTATION	SEVERE DUTY	HAZARDOUS LOCATION	DRIP COVER	SCREENS	PAINT
C-FACE	STANDARD	RIGID	HORIZONTAL	FALSE	NONE	FALSE	NONE	WHITE - LEESON (EPOXY)

BEARINGS		GREASE	SHAFT TYPE	SPECIAL DE	SPECIAL ODE	SHAFT MATERIAL	FRAME MATERIAL
DE	ODE						
BALL	BALL	POLYREX EM	JM	NONE	NONE	303 STAINLESS (C-501)	ROLLED STEEL
6309	6206						

THERMO-PROTECTORS				THERMISTORS	CONTROL	SPACE HEATERS
THEMOSTATS	PROTECTORS	WDG RTDS	BRG RTDS			
NONE	NOT	NONE	NONE	NONE	FALSE	NONE

* INVERTER TORQUE: NONE

INV. HP SPEED RANGE: NONE

ENCODER:	NONE
NONE	NONE
NONE	PPR

BRAKE:	NONE	NONE
NONE	P/N NONE	
NONE	NONE	
NONE	FT-LB	V NONE
NONE	NONE	Hz

S

