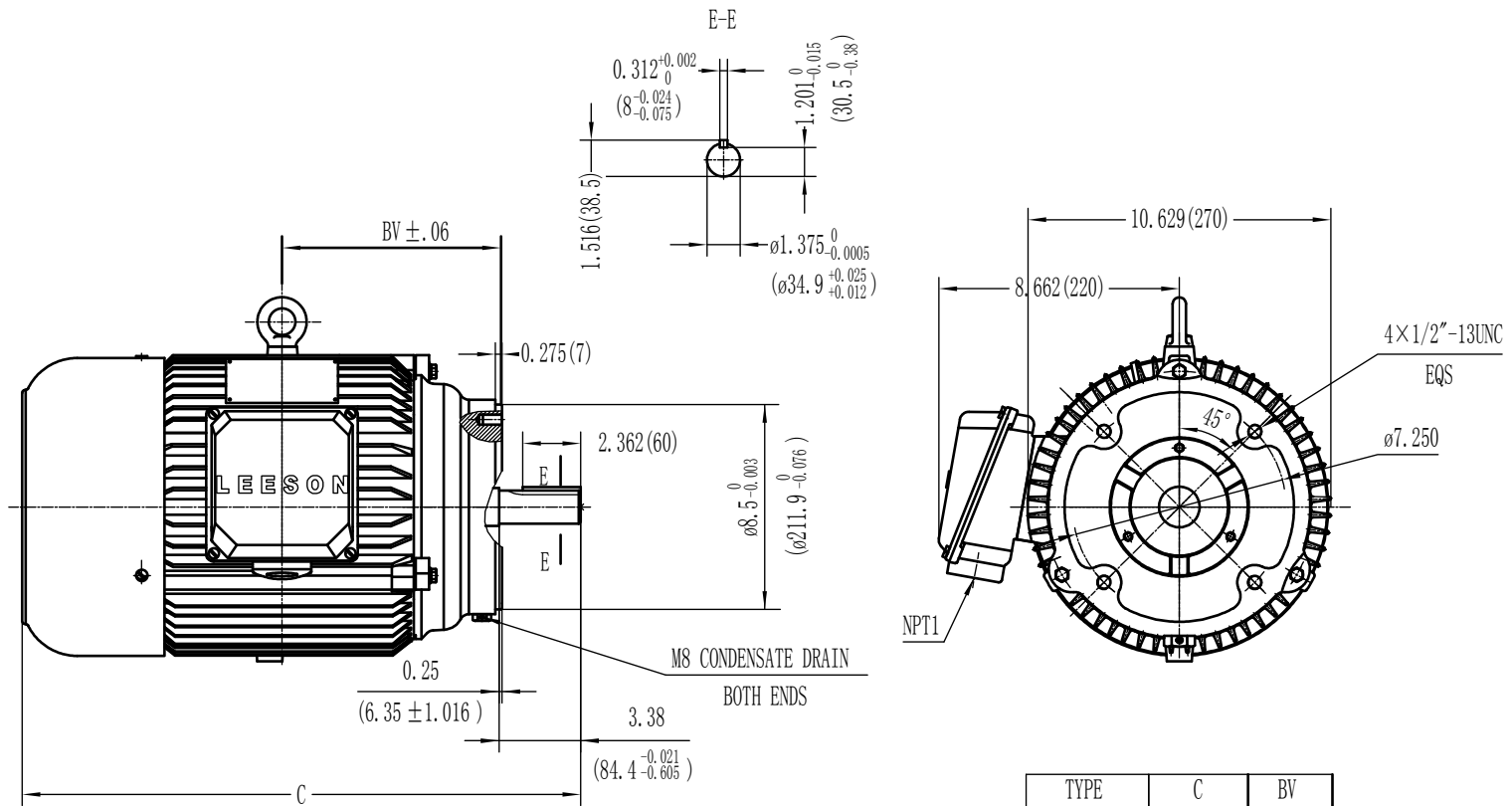


SS620765



TYPE	C	BV
213T	18.855	7.25
215T	20.355	8.00

		TOLERANCES UNLESS SPECIFIED		REGAL Regal-Beloit Corporation		DRAWN	
		DEC.	INCHES			CHK	
		.X	±.1			APPD	
		.XX	±.03	TITLE		SCALE NONE	
B	REVISED TABLE ECO-0111323	WGJ 10-17-16	EMH .XXX ±.005	OUTLINE		REF	
A	RELEASED FOR PRODUCTION ECO-0109530	WGJ 09-15-16	EMH .XXXX ±.0005	N215TC-2 15HP L/B		REF	
NO. REVISION		BY & DATE		MATT'L		FMF	
		CHK ANG ±1/2		FINISH		PREV	
THIS DRAWING IN DESIGN AND DETAIL IS OUR PROPERTY AND MUST NOT BE USED EXCEPT IN CONNECTION WITH OUR WORK ALL RIGHTS OF DESIGN AND INVENTION ARE RESERVED THIS IS AN ELECTRONICALLY GENERATED DOCUMENT - DO NOT SCALE THIS PRINT				RFP	CAD FILE	SS620765	SIZE
				DIST			DRAWING NO.
						B	SS620765
							REV.
							B