

PRODUCT INFORMATION PACKET



Model No: 171854.60
Catalog No: 171854.60
10 HP General Purpose Motor, 3 phase, 3600 RPM, 230/460 V, 215TC Frame, TEFC
Three Phase TEFC Motors



Regal and Leeson are trademarks of Regal Beloit Corporation or one of its affiliated companies.
©2019 Regal Beloit Corporation, All Rights Reserved. MC017097E

The Regal logo is located in the bottom right corner. It features the word "REGAL" in a white, bold, sans-serif font, set against a dark grey, trapezoidal background. The background of the entire page on the right side is a blue gradient with a halftone dot pattern.



Nameplate Specifications

| | | | |
|------------------------|--------------------|----------------------------|------------------------------------|
| Output HP | 10 Hp | Output KW | 7.5 kW |
| Frequency | 60 Hz | Voltage | 230/460 V |
| Current | 23.0/11.5 A | Speed | 3540 rpm |
| Service Factor | 1.15 | Phase | 3 |
| Efficiency | 91.7 % | Power Factor | 88.5 |
| Duty | Continuous | Insulation Class | F |
| Design Code | B | KVA Code | H |
| Frame | 215TC | Enclosure | Totally Enclosed Fan Cooled |
| Thermal Protection | No | Ambient Temperature | 40 °C |
| Drive End Bearing Size | 6308 | Opp Drive End Bearing Size | 6306 |
| UL | Recognized | CSA | Y |
| CE | Y | IP Code | 55 |

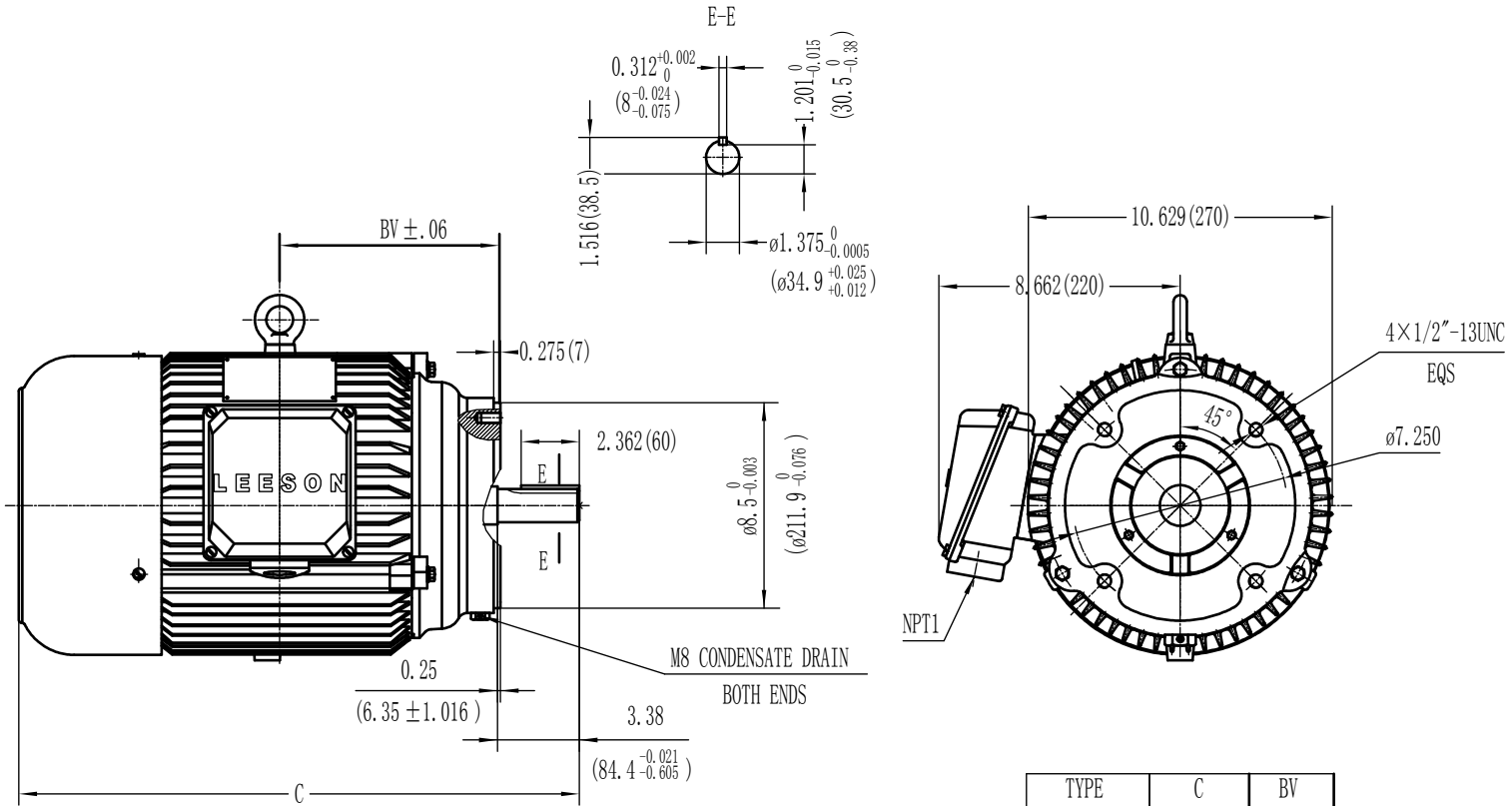
Technical Specifications

| | | | |
|-----------------------|-------------------------------------|-------------------|-------------------------|
| Electrical Type | Squirrel Cage Inverter Rated | Starting Method | Line Or Inverter |
| Poles | 2 | Rotation | Reversible |
| Resistance Main | .732 Ohms | Mounting | Round |
| Motor Orientation | Horizontal | Drive End Bearing | Ball |
| Opp Drive End Bearing | Ball | Frame Material | Cast Iron |
| Shaft Type | T | Overall Length | 20.36 in |
| Shaft Diameter | 1.375 in | Shaft Extension | 3.38 in |
| Assembly/Box Mounting | F1/F2 CAPABLE | | |

This is an uncontrolled document once printed or downloaded and is subject to change without notice. Date Created:01/11/2019

Uncontrolled Copy

SS620765



| TYPE | C | BV |
|------|--------|------|
| 213T | 18.855 | 7.25 |
| 215T | 20.355 | 8.00 |

| | | | | TOLERANCES UNLESS SPECIFIED | | REGAL Regal-Beloit Corporation | | DRAWN | |
|---|---------------|-------------|--------------|-----------------------------|--------|--------------------------------|--|------------|--|
| | | | | DEC. | INCHES | | | CHK | |
| | | | | .X | ±.1 | | | APPD | |
| | | | | .XX | ±.03 | TITLE | | SCALE NONE | |
| B | REVISED TABLE | ECO-0111323 | WGJ 10-17-16 | EMH | 3 of 3 | OUTLINE | | REF | |
| | | | | | | N215TC-2 15HP L/B | | | |