

PRODUCT INFORMATION PACKET



Model No: C143T17FK30A

Catalog No: 122248.00

..1HP..1800RPM.143TC.TEFC.230/460V.3PH.60HZ.CONT.40C.1.15 S.F..RIGID C
FACE.....BRAKEMOTOR.....

Brake



Regal and Leeson are trademarks of Regal Beloit Corporation or one of its affiliated companies.

©2018 Regal Beloit Corporation, All Rights Reserved. MC017097E





Nameplate Specifications

Output HP	1 Hp	Output KW	0.75 kW
Frequency	60 Hz	Voltage	230/460 V
Current	3.2/1.6 A	Speed	1760 rpm
Service Factor	1.15	Phase	3
Efficiency	85.5 %	Duty	Continuous
Insulation Class	F	Design Code	B
KVA Code	N	Frame	143TC
Enclosure	Totally Enclosed Fan Cooled	Overload Protector	No
Ambient Temperature	40 °C	Drive End Bearing Size	6205
Opp Drive End Bearing Size	6203	UL	Recognized
CSA	Y	CE	Y
IP Code	43		

Technical Specifications

Electrical Type	Squirrel Cage Induction Run	Starting Method	Across The Line
Poles	4	Rotation	Reversible
Mounting	Rigid base	Motor Orientation	HORIZONTAL
Drive End Bearing	BALL	Opp Drive End Bearing	BALL
Frame Material	Rolled Steel	Shaft Type	T
Overall Length	17.66 in	Frame Length	7.00 in
Shaft Diameter	0.875 in	Shaft Extension	2.25 in
Assembly/Box Mounting	F1 ONLY		
Outline Drawing	028825-700	Connection Diagram	005010.28

4

3

2

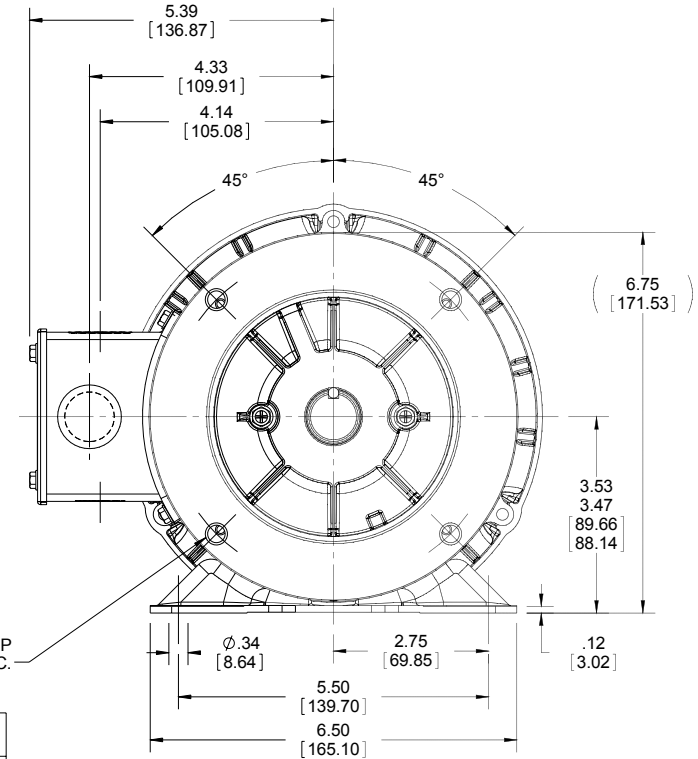
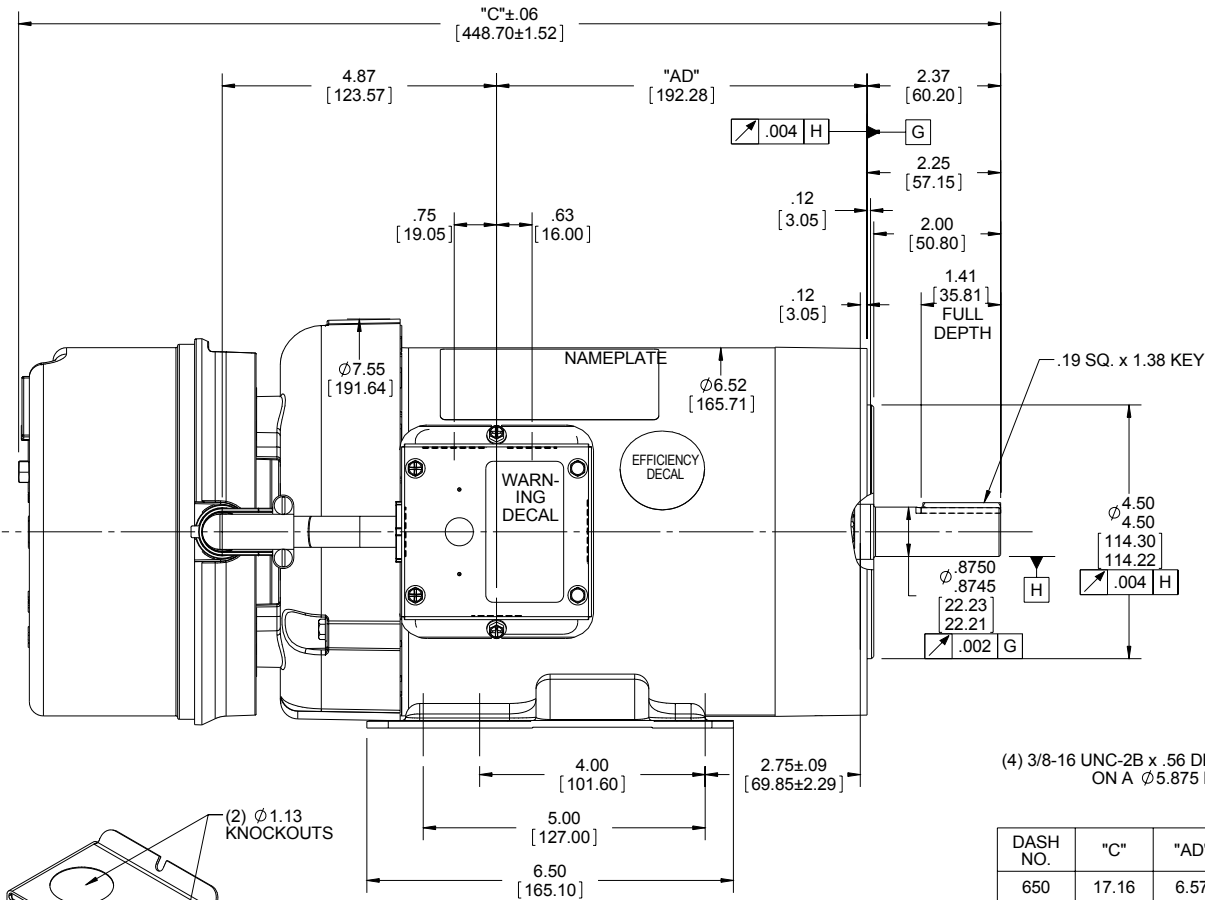
1

B

B

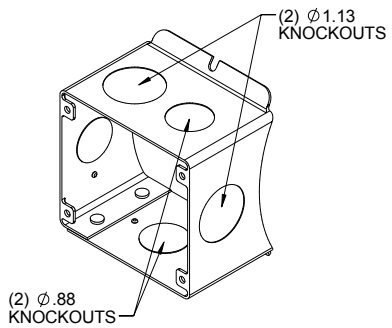
A

A



DASH NO.	"C"	"AD"
650	17.16	6.57
700	17.66	7.07
750	18.16	7.57
800	18.66	8.07

NOTE:
1) GASKETS THROUGHOUT



KNOCKOUT LOCATION
DETAIL VIEW

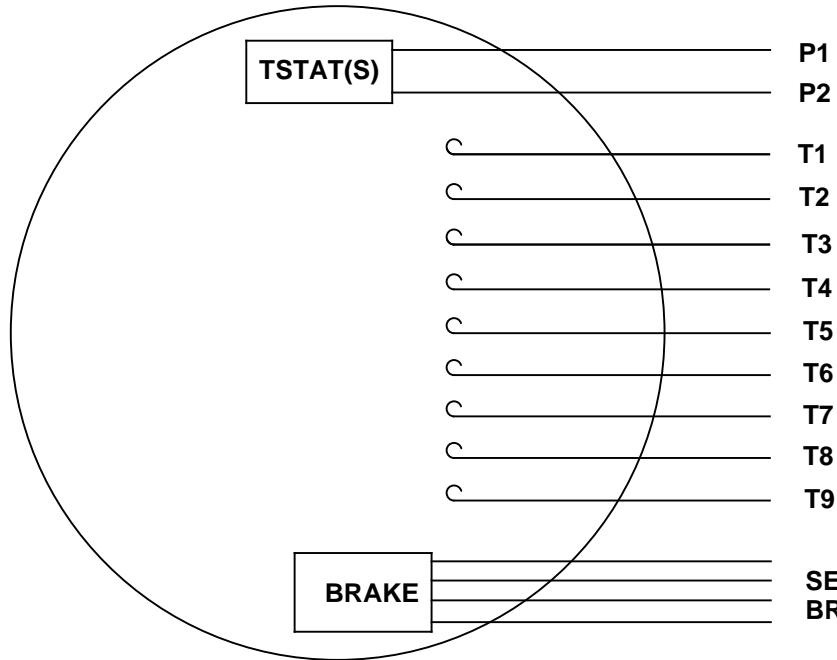
DRAWING REVISION D	REVISION BY LK	DATE 12/11/2015
ECO ECO-0090302	APPROVED BY GRB	DATE 12/11/2015
ECO DESCRIPTION UPDATED OUTLINE		
<small>COPYRIGHT REGAL BELOIT AMERICA, INC. ALL RIGHTS RESERVED. PROPRIETARY AND CONFIDENTIAL INFORMATION - THIS DOCUMENT IS THE PROPERTY OF REGAL BELOIT AMERICA, INC. ("OWNER") AND CONTAINS OWNER'S PROPRIETARY INFORMATION. ANY PERSON, CORPORATION OR OTHER FIRM RECEIVING IT IS DEEMED, BY RECEIVING IT, TO AGREE THAT IT, AND/OR ANY PART OF IT, SHALL NOT BE DISCLOSED TO ANY PERSON, CORPORATION OR OTHER ENTITY, DUPLICATED, AND/OR USED, EXCEPT AS EXPRESSLY APPROVED IN WRITING IN ADVANCE BY OWNER. THIS DOCUMENT SHALL BE RETURNED TO OWNER UPON REQUEST. IT MAY BE SUBJECT TO CERTAIN RESTRICTIONS UNDER APPLICABLE EXPORT CONTROL LAWS AND REGULATIONS.</small>		

TOLERANCES UNLESS OTHERWISE SPECIFIED:			
DEC.	INCH	mm	ANGLE
.X	+0.1	[+2.5]	±0.5°
.XX	+0.01	[+0.25]	
.XXX	+0.005	[+0.127]	
.XXXX	+0.0005	[+0.0127]	
REMOVE BURRS & BREAK SHARP EDGES: .003/.015 [076/381] X 45° CORNER FILLETS: R.02 [51] MACHINED SURFACES: 125/3.2 INCH/mm √			
mm SHOWN IN [BRACKETS]			

DRAWN BY GRB	DATE 07/10/08
APPROVED BY DJ	DATE 07/10/08
REFERENCE 028790	THIRD ANGLE PROJECTION

Regal Beloit America, Inc.	
DESCRIPTION OUTLINE TEFC - "C" FACE - BRAKEMOTOR	PROCESS/FINISH
MATERIAL	DRAWING NUMBER 028825
SIZE B	SHEET 1 OF 1

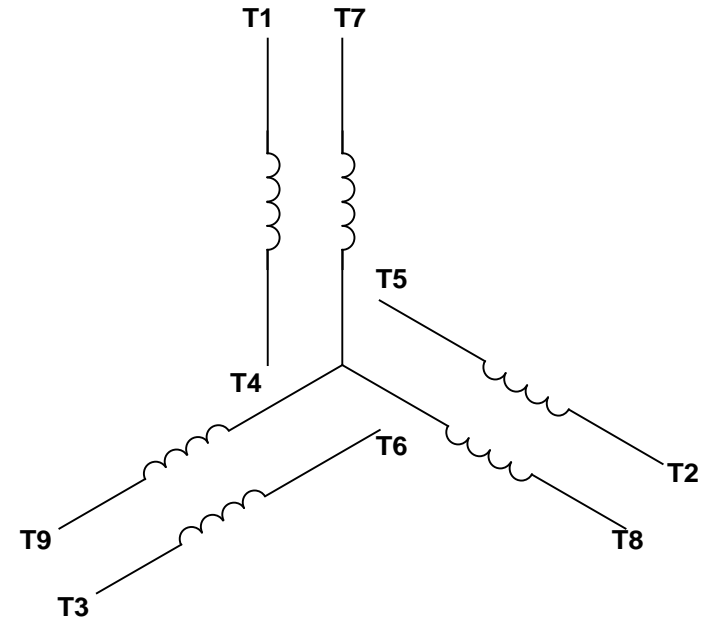
VIEW FROM OUTSIDE OF MOTOR AT SWITCH END.



P1
P2
T1
T2
T3
T4
T5
T6
T7
T8
T9

SEE TABLE FOR
BRAKE CONNECTIONS


LINE LEADS



RBC PROPRIETARY AND CONFIDENTIAL INFORMATION
This document is the property of REGAL BELOIT CORPORATION ("RBC") including its subsidiaries and divisions and contains proprietary information of RBC. This document is loaned on the express condition that neither it nor the information contained therein shall be disclosed to others without the express written consent of RBC, and that the information shall be used by the recipient only as approved expressly by RBC. This document shall be returned to RBC upon its request. This document may be subject to certain restrictions under U.S. export control laws and regulations.

BRAKE CONNECTION						
VOLTAGE	STERNS BRAKE			DINGS BRAKE		
	L1	L2	Join	L1	L2	Join
HIGH	1(RED)	2(RED)	3(BLACK) 4(BLACK)	2(BLACK)	4(YELLOW)	1(YELLOW) 3(BLACK)
LOW	1(RED) 3(BLACK)	2(RED) 4(BLACK)	-----	2(BLACK) 3(BLACK)	1(YELLOW) 4(YELLOW)	-----

VOLTAGE	L1	L2	L3	JOIN & INSULATE
HIGH	T1	T2	T3	(T4, T7) (T5, T8) (T6, T9)
LOW	T1, T7	T2, T8	T3, T9	T4, T5, T6

				TOLERANCES UNLESS SPECIFIED		 ELECTRIC MOTORS GEARMOTORS AND DRIVES	DRAWN RDW 09/14/99		
				DEC	INCHES		CHK		
				.X	±.1		APPR		
				.XX	±.01		SCALE	1:1	
				.XXX	±.005		REF	005010-15	
--	REDRAWN IN SOLIDWORKS	VJB	02/08/11	.XXXX	±.0005	TITLE EXTERNAL WIRING DIAGRAM 3 PHASE W/O PROTECTOR		FMF	
NO	REVISION	BY & DATE	CHK	ANG	±1/2°	MAT'L DECAL - 004014 DECAL - 080088		PAGE OF	
				RFP	PREV	SIZE	DRAWING NO		
THIRD ANGLE PROJECTION				NETWORK FILE NAME		A	005010-28		
							REV		
							--		



P.O. BOX 8003
WAUSAU, WI 54401-8003
PH. 715-675-3311

DATA VOLTS: 460

CERTIFICATION DATA SHEET

CONN. DIAGRAM: 005010.28
OUTLINE: 028825-700
WINDING: T634342

CAT #: 122248.00

FR 3

TYPICAL MOTOR PERFORMANCE DATA

HP	KW	SYNC RPM	FL RPM	FRAME	ENCLOSURE	TYPE	KVA CODE	DESIGN					
1	0.75	1800	1760	143TC	TEFC	TFR	N	B					
PH	HZ	VOLTS	AMPS	START TYPE	DUTY	INSL	S.F.	AMB	ELEV.				
3	60	230/460	3.1/1.55	ACROSS THE LINE	CONT	F	1.15	40	3300				
F.L. EFF		3/4 LD EFF		1/2 LD EFF		GTD EFF		ELECT. TYPE					
85.5		85.4		79.6		0.0		SQ CAGE IND RUN					
F.L. PF		3/4 LD PF		1/2 LD PF		51.5 <th colspan="2">0.0 </th>		0.0					
68.5		61.5		51.5		0.0		0.0					
F.L. TORQUE		LR AMPS @ 460 V		L.R. TORQUE		B.D. TORQUE		F.L. RISE (°C)					
3.0 LB-FT		14.0		12.0 LB-FT 400%		15.8 LB-FT		527% 38					
PRESSURE @ 3		POWER		ROTOR WK²		MAX LOAD WK²		SAFE STALL TIME		STARTS/HOUR		MOTOR WGT	
65 DBA		74 DBA		0.12 LB-FT²		0 LB-FT²		10 SEC.		0		0 LB.	

*** SUPPLEMENTAL INFORMATION ***

DE BRACKET TYPE	ODE BRACKET TYPE	MOUNT TYPE	MOTOR ORIENTATION	SEVERE DUTY	HAZARDOUS LOCATION	DRIP COVER	SCREENS	PAINT	
C-FACE	BRAKE	RIGID	HORIZONTAL	NO	NONE	NO	NONE	N - LEESON WATTS	
BEARINGS		SHAFT TYPE		SPECIAL DE		SPECIAL ODE		SHAFT MATERIAL	
DE BALL 6205	ODE BALL 6203	POLYREX EM		T		NONE		1144 STRESSPROOF (C-223)	
ROLLED STEEL									

THERMOSTATS TSTATS (N/C)	PROTECTORS	WDG RTD's	BRG RTD's	THERMISTORS	CONTROL	SPACE HEATERS
	NOT	NONE	NONE	NONE	FALSE	NA
R1 (ohms/ph)	R2 (ohms/ph)	X1 (ohms/ph)	X2 (ohms/ph)	Xm (ohms/ph)	VIBRATION (in/sec)	FLOAT ODE
0	0	0	0	0	0.080	ODE

* N O T E S *		INVERTER TORQUE: NONE	
		INV. HP SPEED RANGE: NONE	
		ENCODER: NONE	
		BRAKE: STEARNS	
		NONE PPR	

DATE: 1/24/2018	FT-LB: 56,000	NEMA 2
	VOLTAGE: 230/460	6
	UL: Y-(LEESON UL REC)	HZ:

