

PRODUCT INFORMATION PACKET



Model No: A6T34XC47A

Catalog No: 119422.00

..1HP..3600RPM.56C.EPFC.230/460V.3PH.60HZ.CONT.40C.1.00SF.C FACE.....GENERAL
PURPOSE.AUTO.....

Explosion Proof



Regal and Leeson are trademarks of Regal Beloit Corporation or one of its affiliated companies.

©2018 Regal Beloit Corporation, All Rights Reserved. MC017097E





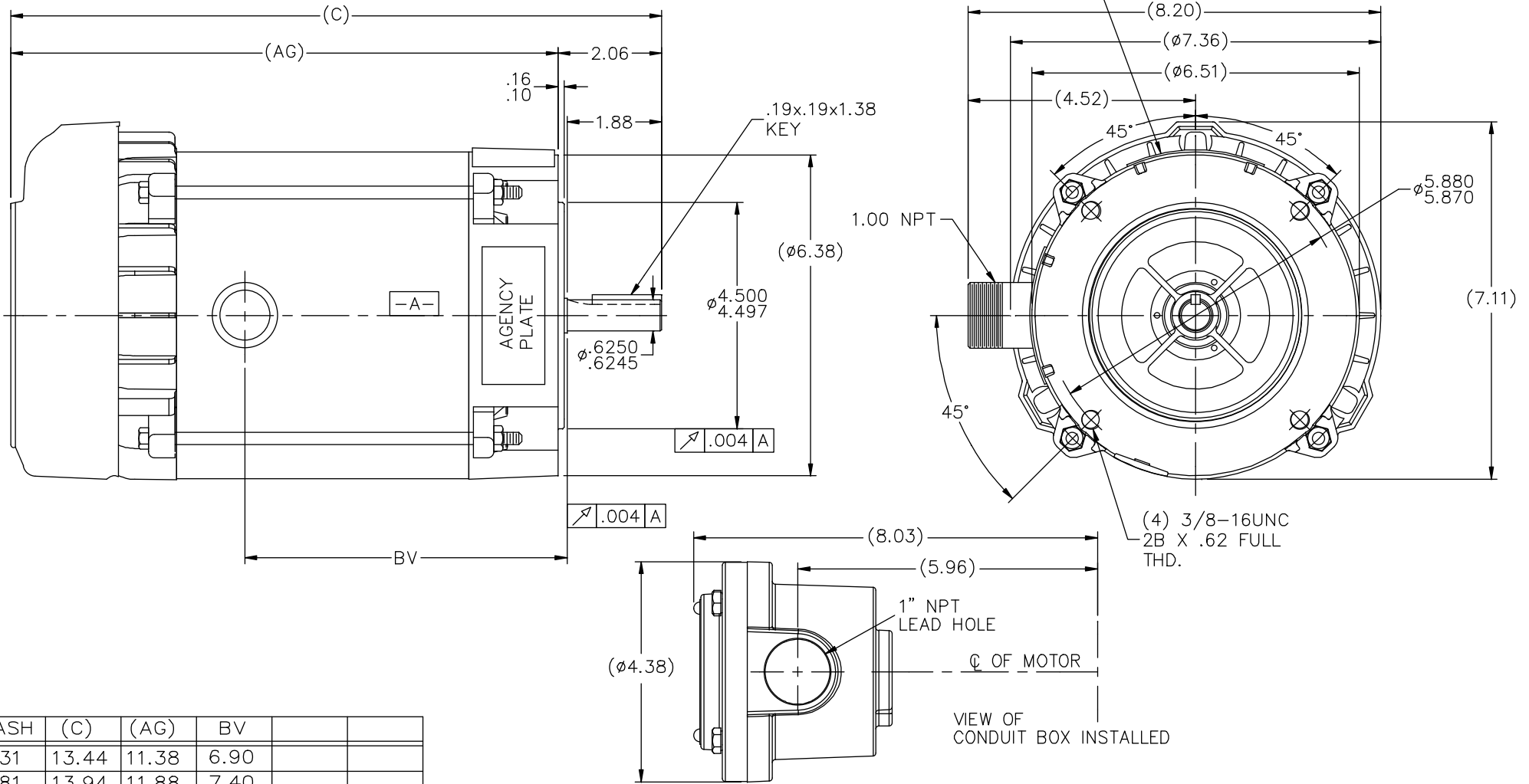
Nameplate Specifications

Output HP	1 Hp	Output KW	0.75 kW
Frequency	60 Hz	Voltage	230/460 V
Current	3.0/1.5 A	Speed	3450 rpm
Service Factor	1	Phase	3
Efficiency	80 %	Duty	Continuous
Insulation Class	B	Design Code	B
KVA Code	K	Frame	56C
Enclosure	Explosion Proof Fan cooled	Overload Protector	Automatic
Ambient Temperature	40 °C	Drive End Bearing Size	6203
Opp Drive End Bearing Size	6203	UL	Recognized
CSA	Y	CE	N
IP Code	54		

Technical Specifications

Electrical Type	Squirrel Cage Induction Run	Starting Method	Across The Line
Poles	2	Rotation	Reversible
Mounting	Round	Motor Orientation	HORIZONTAL
Drive End Bearing	BALL	Opp Drive End Bearing	BALL
Frame Material	Rolled Steel	Shaft Type	NEMA 56
Overall Length	13.94 in	Frame Length	6.81 in
Shaft Diameter	0.625 in	Shaft Extension	1.88 in
Assembly/Box Mounting	F1 ONLY		
Outline Drawing	B-104188LE-681	Connection Diagram	EE7335-LE

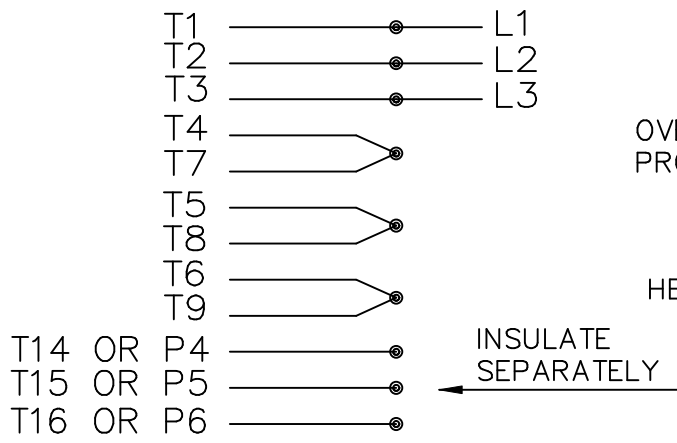
NAMEPLATES TO BE READ FROM SHAFT EXT. END.



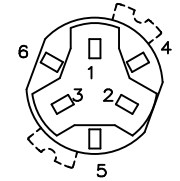
DASH	(C)	(AG)	BV		
631	13.44	11.38	6.90		
681	13.94	11.88	7.40		
731	14.44	12.38	7.90		
781	14.94	12.88	8.40		
831	15.44	13.38	8.90		
881	15.94	13.88	9.40		
931	16.44	14.38	9.90		
981	16.94	14.88	10.40		

		TOLERANCES UNLESS SPECIFIED		LEESON		ELECTRIC MOTORS GEARMOTORS AND DRIVES		DRAWN RJW 06-22-2007			
		DEC.	INCHES					CHK	ML 06-22-2007		
		.X	±.1					APPD	GK 06-22-2007		
		.XX	±.03	TITLE		OUTLINE - 'C' FACE		SCALE	17=32		
		.XXX	±.005			56 FR. - EXP. PR.		REF			
01	COND. BOX INSTALLED VIEW UPDATED PER ECR-0044571	UD	10/10/13	ST	.XXXX	±.0005	MAT'L.	FMF			
NO.	REVISION	BY & DATE	CHK	ANG	FINISH		PREV				
				RFP	06-22-2007	CAD FILE 104188LE	SIZE	DRAWING NO.	PAGE OF		
THIS DRAWING IN DESIGN AND DETAIL IS OUR PROPERTY AND MUST NOT BE USED EXCEPT IN CONNECTION WITH OUR WORK ALL RIGHTS OF DESIGN AND INVENTION ARE RESERVED THIS IS AN ELECTRONICALLY GENERATED DOCUMENT - DO NOT SCALE THIS PRINT							DIST	WP	B	104188LE	01

HIGH VOLTAGE CONNECTIONS

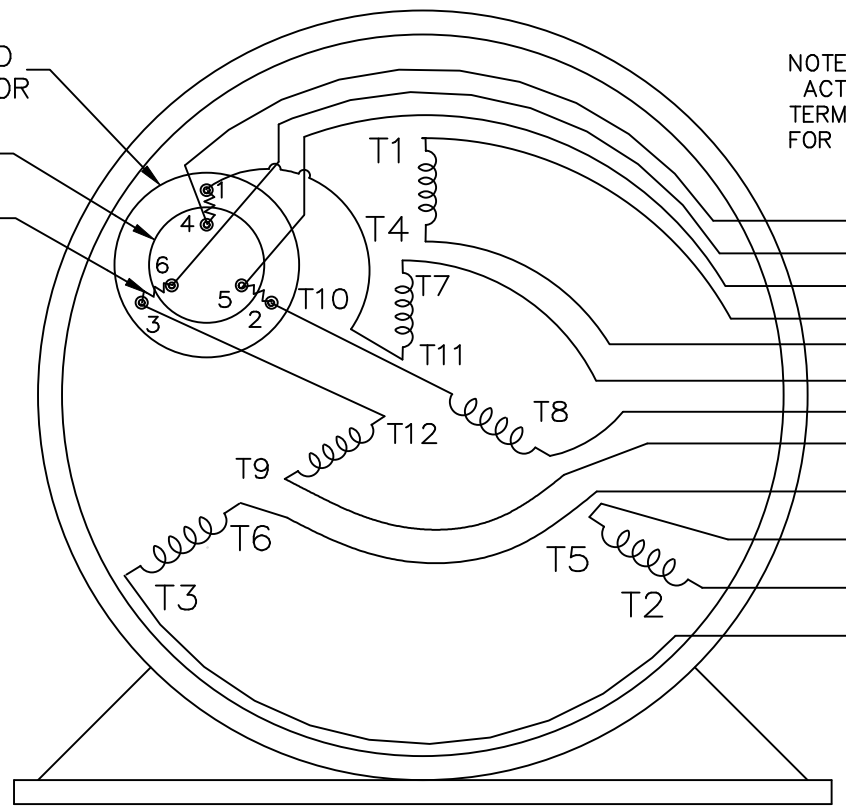


THREE PHASE – DUAL VOLTAGE MOTOR WITH OVERLOAD PROTECTOR



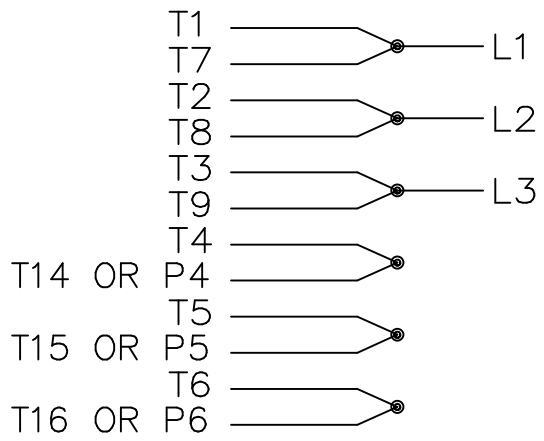
NOTE:
 ACTUAL PROTECTORS
 TERMINAL LOCATIONS
 FOR LEAD CONNECTIONS

OVERLOAD PROTECTOR
 DISC
 HEATER



T14 OR P4
 T16 OR P6
 T15 OR P5
 T1
 T4
 T7
 T8
 T9
 T6
 T5
 T2
 T3

LOW VOLTAGE CONNECTIONS



VIEW OF TERMINAL END

T2K
 T4D
 T6AN

				TOLERANCES UNLESS SPECIFIED		ELECTRIC MOTORS GEARMOTORS AND DRIVES	DRAWN NJS 04-20-2005	
				DEC.	INCHES		CHK ML 04-20-2005	
				.X	± -		APPD MJS 04-20-2005	
				.XX	± -		SCALE	
				.XXX	± -		REF	
				.XXXX	± -	MAT'L.		
NO.	REVISION	BY & DATE	CHK	ANG	± -	FINISH	PREV	
THIS DRAWING IN DESIGN AND DETAIL IS OUR PROPERTY AND MUST NOT BE USED EXCEPT IN CONNECTION WITH OUR WORK ALL RIGHTS OF DESIGN AND INVENTION ARE RESERVED THIS IS AN ELECTRONICALLY GENERATED DOCUMENT - DO NOT SCALE THIS PRINT				RFP	04-20-2005	CAD FILE EE7335_LE	SIZE A	DRAWING NO. EE7335-LE
				DIST	WP		PAGE	OF
								REV.



CERTIFICATION DATA SHEET

P.O. BOX 8003
WAUSAU, WI 54401-8003
PH. 715-675-3311

DATA VOLTS: 460

CONN. DIAGRAM: EET7335-LE
OUTLINE: B-104188LE-681
WINDING: Z1270

CAT #: 119422.00

R14 1

TYPICAL MOTOR PERFORMANCE DATA

HP	KW	SYNC RPM	FL RPM	FRAME	ENCLOSURE	TYPE	KVA CODE	DESIGN		
1	0.75	3600	3500	56C	EPFC	TFR	K	B		
PH	HZ	VOLTS	AMPS	START TYPE	DUTY	INSL	S.F.	AMB	ELEV.	
3	60/50	230/460#190/380	3/1.582/6/1.3	ACROSS THE LINE	CONT	B	1.15	40	3300	
F.L. EFF		3/4 LD EFF		1/2 LD EFF		ELECT. TYPE				
80.0		78.0		75.0		SQ CAGE IND RUN				
F.L. PF		3/4 LD PF		1/2 LD PF						
83.5		78.0		67.5		77.0				
F.L. TORQUE		LR AMPS @ 460 V		L.R. TORQUE		B.D. TORQUE		F.L. RISE (°C)		
1.50 LB-FT		11.0		3.5 LB-FT 233%		5.3 LB-FT 353%		35		
PRESSURE @ 3		POWER		ROTOR WK²		MAX. LOAD WK²		SAFE STALL TIME	STARTS/HOUR	MOTOR WGT
68 DBA		77 DBA		0.03 LB-FT²		0 LB-FT²		10 SEC.	0	32 LB.

*** SUPPLEMENTAL INFORMATION ***

DE BRACKET TYPE	ODE BRACKET TYPE	MOUNT TYPE	MOTOR ORIENTATION	SEVERE DUTY	HAZARDOUS LOCATION	DRIP COVER	SCREENS	PAINT
C-FACE	STANDARD	ROUND	HORIZONTAL	NO	DEF CL IGR C&D CL IIGF	NO	NONE	BLUE (POWDER)
BEARINGS		SHAFT TYPE		SPECIAL DE		SHAFT		MATERIAL
DE	ODE	GREASE	POLYREX EM	STANDARD 56	NONE	1144 STRESSPROOF (C-223)	ROLLED STEEL	
THERMOSTATS		PROTECTORS		WIDG RTD's		BRG RTD's		THERMISTORS
NONE		AUTOMATIC		NONE		NONE		NONE
R1 (ohms/ph)		R2 (ohms/ph)		X1 (ohms/ph)		X2 (ohms/ph)		Xm (ohms/ph)
11.332		5.652		15.08		17.608		406.12
VIBRATION (in/sec)		VIBRATION (in/sec)		VIBRATION (in/sec)		VIBRATION (in/sec)		VIBRATION (in/sec)
0.150		0.150		0.150		0.150		0.150

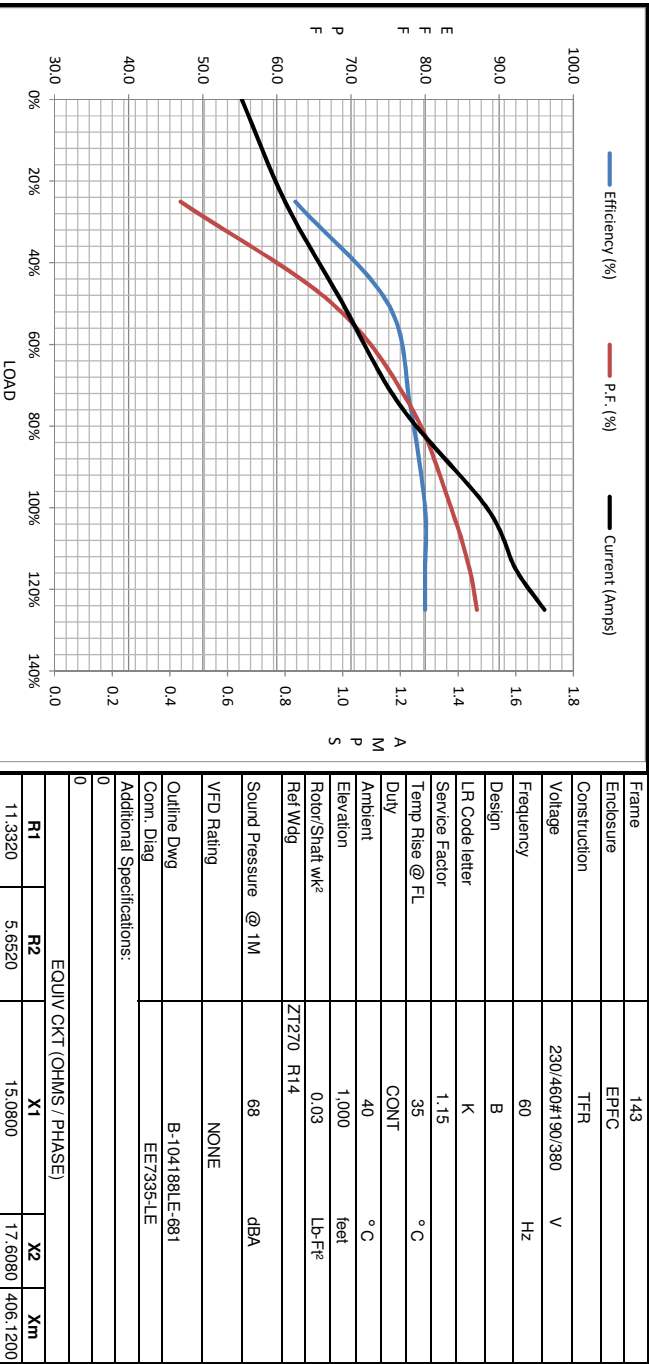
* INVERTER TORQUE: NONE	
* INV. HP SPEED RANGE: NONE	
ENCODER: NONE	
BRAKE: NONE	
FT-LB: NONE	
VOLTAGE: NONE	
UL: NONE	

DATE: 1/18/2018	INVERTER TORQUE: NONE
	INV. HP SPEED RANGE: NONE
	ENCODER: NONE
	BRAKE: NONE
	FT-LB: NONE
	VOLTAGE: NONE
	UL: NONE



Motor Load Data									
Load	0%	25%	50%	75%	100%	115%	125%	LR	
Current (Amps)	0.65	0.80	1.00	1.20	1.50	1.60	1.70	11.0	
Torque (ft-lb)	0.00	0.38	0.75	1.10	1.50	1.70	1.90	3.5	
RPM	3600	3570	3550	3525	3500	3490	3480	0	
Efficiency (%)		62.5	75.0	78.0	80.0	80.0	80.0		
P.F. (%)	20.0	47.0	67.5	78.0	83.5	86.0	87.0	66.0	

Motor Speed Data						Information Block																					
	LR	Pull-Up	BD	Rated	Idle	HP	Sync. RPM	Frame	Enclosure	Construction	Voltage	Frequency	Design	LR Code letter	Service Factor	Temp Rise @ FL	Duty	Ambient	Elevation	Rotor/Shaft wk ²	Ref Wdg	Sound Pressure @ 1M	VFD Rating	Outline Dwg	Conn. Diag	Additional Specifications:	
Speed (RPM)	0	1800	2830	3500	3600		3600	143	EPFC	TFR	230/460#190/380	60	B	K	1.15	35	CONT	40 °C	1,000	0.03	Z1270 R14	68	NONE	B-104180LE-681	EET335-LE		
Current (Amps)	11.0	10.0	7.0	1.50	0.65																						
Torque (ft-lb)	3.5	3.2	5.3	1.50	0.00																						



EQUIV CKT (OHMS / PHASE)			
R1	R2	X1	Xm
11.3320	5.6520	15.0800	17.6080
			406.1200

