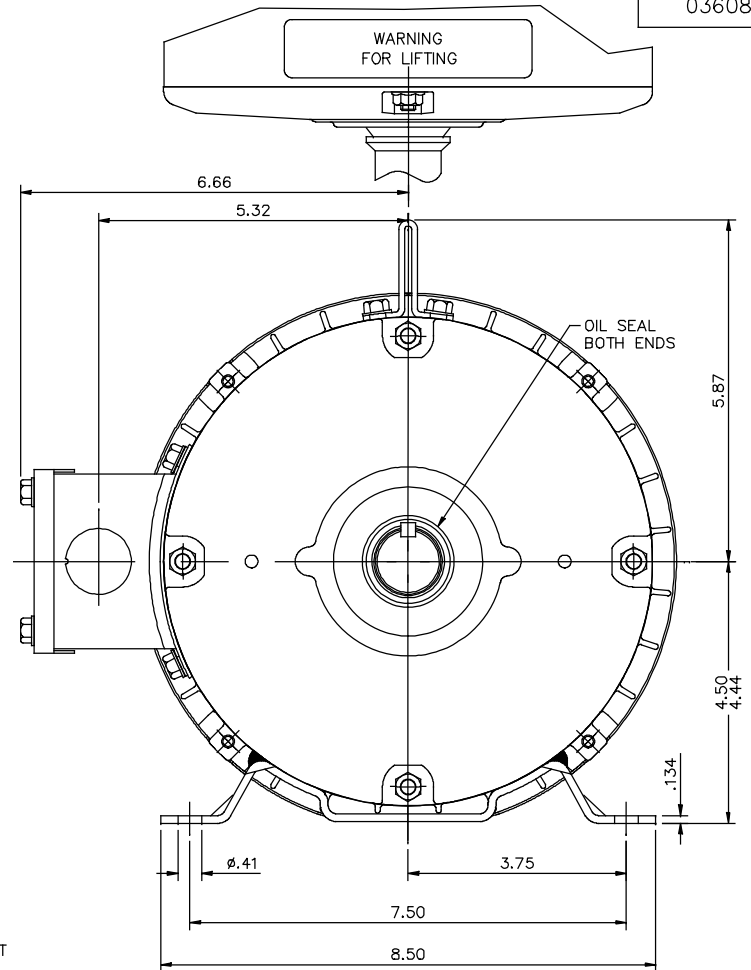
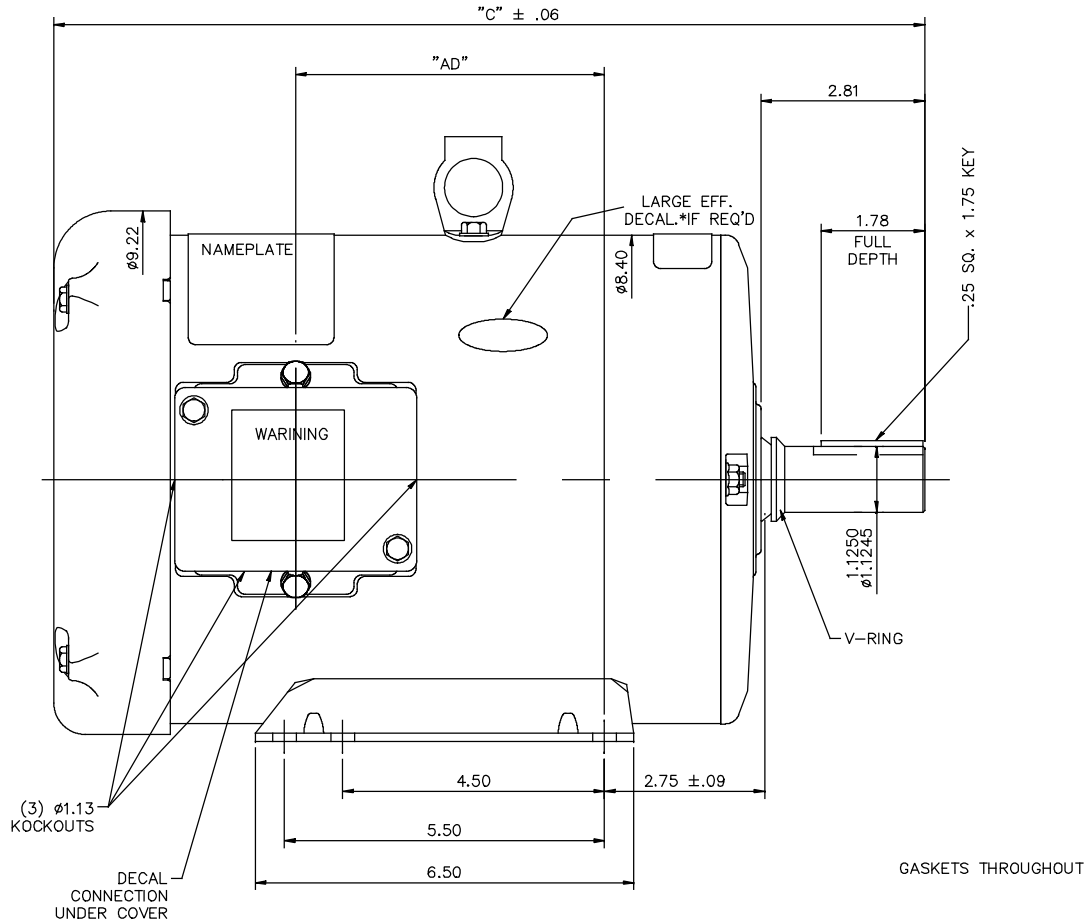


036087



DASH NO.	"C"	"AD"
750	12.97	3.37
800	13.47	3.87
850	13.97	4.37
900	14.47	4.87
950	14.97	5.37
1000	15.47	5.87
1050	15.97	6.37
1100	16.47	6.87
1150	16.97	7.37

TOLERANCES UNLESS SPECIFIED	
DEC.	INCHES
.X	±.1
.XX	±.03
.XXX	±.005
.XXXX	±.0005
ANG	±1/2°

NO.	REVISION	BY & DATE
B	DECAL LOCATION UPDATED	SR 05/14/2018

MARATHON ELECTRIC		DRAWN JAH 11/5/2014	
TITLE OUTLINE- 180T FRAME TEFC- RIGID		CHK SR 05/14/2018	APPD
MATERIAL		SCALE 1=2	REF OLME144291
FINISH		FMF 182TFW16041	PREV
CAD FILE 036087	SIZE B	DRAWING NO. 036087	REV. B

THIS DRAWING IN DESIGN AND DETAIL IS OUR PROPERTY AND MUST NOT BE USED EXCEPT IN CONNECTION WITH OUR WORK. ALL RIGHTS OF DESIGN AND INVENTION ARE RESERVED. THIS IS AN ELECTRONICALLY GENERATED DOCUMENT - DO NOT SCALE THIS PRINT