

# PRODUCT INFORMATION PACKET



Model No: C182T17WK20A

Catalog No: 132442.00

..3HP..1800RPM.182JM.TEFC.230/460V.3PH.60HZ.CONT.40C.1.15SF.JM PUMP.....WASHDOWN  
MOTORS.....

Jm Pump



Regal and Leeson are trademarks of Regal Beloit Corporation or one of its affiliated companies.

©2018 Regal Beloit Corporation, All Rights Reserved. MC017097E



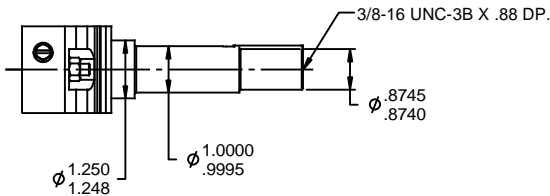
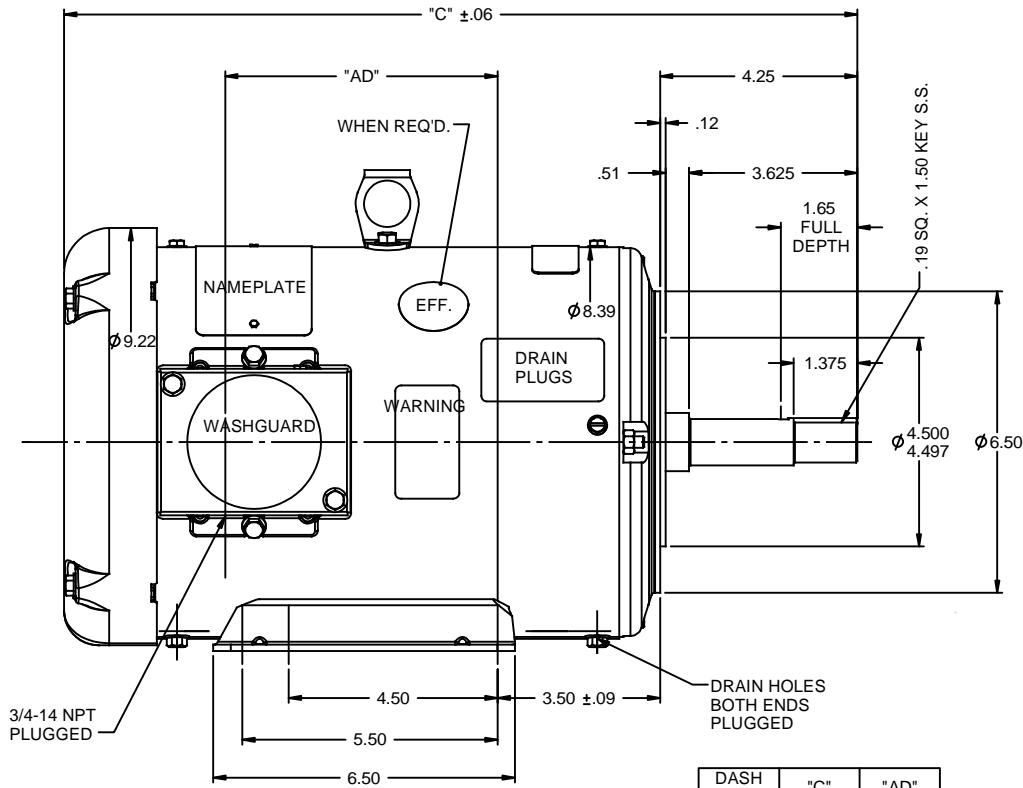


### Nameplate Specifications

Output HP	<b>3 Hp</b>	Output KW	<b>2.2 kW</b>
Frequency	<b>60 Hz</b>	Voltage	<b>208-230/460 V</b>
Current	<b>8.4-7.8/3.9 A</b>	Speed	<b>1770 rpm</b>
Service Factor	<b>1.15</b>	Phase	<b>3</b>
Efficiency	<b>89.5 %</b>	Duty	<b>Continuous</b>
Insulation Class	<b>F</b>	Design Code	<b>B</b>
KVA Code	<b>K</b>	Frame	<b>182JM</b>
Enclosure	<b>Totally Enclosed Fan Cooled</b>	Overload Protector	<b>No</b>
Ambient Temperature	<b>40 °C</b>	Drive End Bearing Size	<b>6207</b>
Opp Drive End Bearing Size	<b>6205</b>	UL	<b>Recognized</b>
CSA	<b>Y</b>	CE	<b>Y</b>
IP Code	<b>55</b>		

### Technical Specifications

Electrical Type	<b>Squirrel Cage Induction Run</b>	Starting Method	<b>Across The Line</b>
Poles	<b>4</b>	Rotation	<b>Reversible</b>
Mounting	<b>Rigid base</b>	Motor Orientation	<b>HORIZONTAL</b>
Drive End Bearing	<b>BALL</b>	Opp Drive End Bearing	<b>BALL</b>
Frame Material	<b>Rolled Steel</b>	Shaft Type	<b>JM</b>
Overall Length	<b>16.13 in</b>	Frame Length	<b>9.00 in</b>
Shaft Diameter	<b>0.875 in</b>	Shaft Extension	<b>4.28 in</b>
Assembly/Box Mounting	<b>F1/F2 CAPABLE</b>		
Outline Drawing	<b>035480-900</b>	Connection Diagram	<b>005010.01</b>

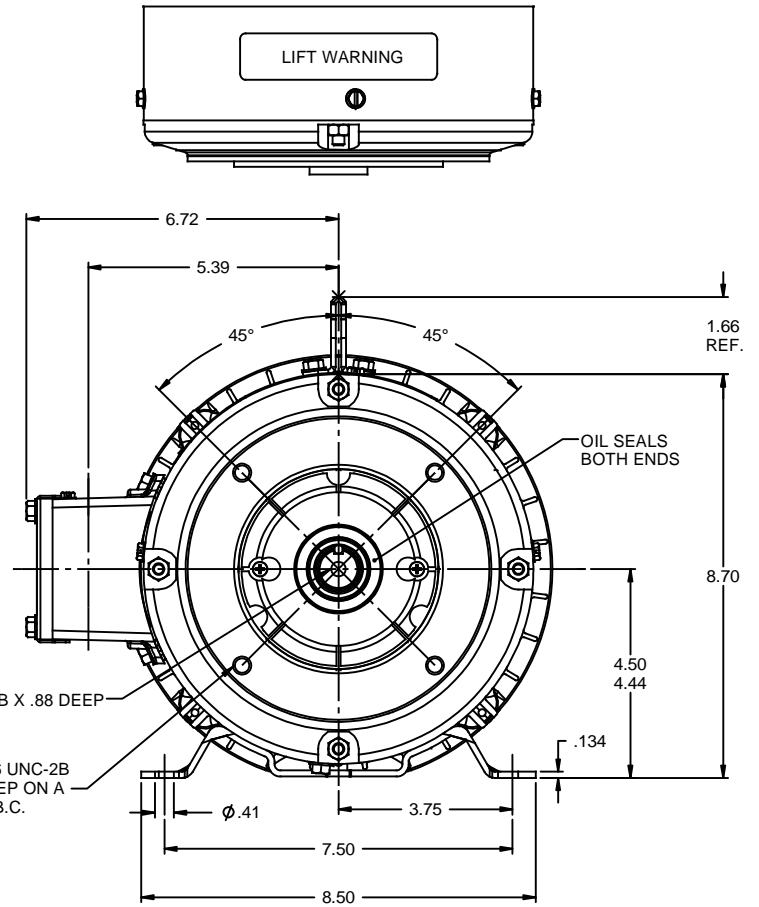


**SHAFT DETAIL**

DASH NO.	"C"	"AD"
900	16.13	4.87
950	16.63	5.37
1000	17.13	5.87
1050	17.63	6.37
1100	18.13	6.87
1150	18.63	7.37

**SPECIAL FEATURES:**  
 SHAFT SEAL & V-RING  
 DRAIN HOLES IN FRAME & CONDUIT BOX  
 STAINLESS STEEL SHAFT, HARDWARE & NAMEPLATE  
 GASKETS THROUGHOUT

MAXIMUM FACE RUNOUT TO BE .004 T.I.R.  
 MAXIMUM PILOT ECCENTRICITY TO BE .004 T.I.R.  
 PERMISSIBLE SHAFT RUNOUT TO BE .002 T.I.R.



REVISION		BY & DATE	CHK	ANG	±1/2"	FINISH	PAGE	OF
02	UPDATED PER ISAAC 10-0580	LST 5/12/2010	XX	XXX	±.005	TITLE OUTLINE - 180JM FRAME	SCALE	3:8
-	UPDATED & REDRAWN IN SOLIDWORKS	LST 12/8/2009	XX	XXXX	±.0005	TEFC - "JM" PUMP MOUNT	REF	035357
						MATL WASHGUARD	FMF	
THIRD ANGLE PROJECTION						PREV	DRAWING NO	REV
NETWORK FILE NAME 035480						SIZE	DRAWING NO	REV
						B	035480	02

005010-01

VIEW FROM OUTSIDE OF MOTOR AT SWITCH END.



VOLTAGE	L1	L2	L3	JOIN & INSULATE
HIGH	T1	T2	T3	(T4,T7) (T5,T8) (T6,T9)
LOW	T1,T7	T2,T8	T3,T9	T4,T5,T6

				TOLERANCES UNLESS SPECIFIED		<b>REGAL</b> ™ <b>Regal Beloit America, Inc.</b>		DRAWN RDW 04/12/02		
				DEC.	INCHES			CHK		
				.X	±.1	TITLE EXTERNAL WIRING DIAGRAM 3 PHASE W/O PROTECTOR		APPD		
				.XX	±.01			SCALE 1=1		
				.XXX	±.005			REF FIG.2-51		
A	UPDATED TO REGAL LOGO	SAJ 06/26/15	AJY	.XXXX	±.0005	MAT'L. DECAL - 004014		FMF		
NO.	REVISION	BY & DATE	CHK	ANG	±1/2"	FINISH		PREV		
THIS DRAWING IN DESIGN AND DETAIL IS OUR PROPERTY AND MUST NOT BE USED EXCEPT IN CONNECTION WITH OUR WORK ALL RIGHTS OF DESIGN AND INVENTION ARE RESERVED THIS IS AN ELECTRONICALLY GENERATED DOCUMENT - DO NOT SCALE THIS PRINT				RFP	04/12/02	CAD FILE 00501001		SIZE	DRAWING NO.	REV.
				DIST	BRF-NLV	A	005010-01	A		

Data Sheet

Date: 1/24/2018

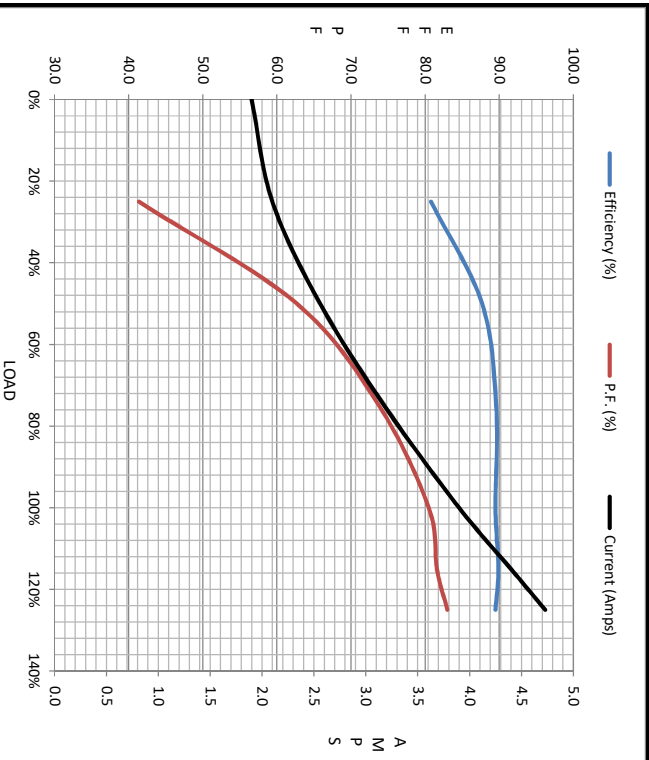
132442.00



Data @ 460 V

Motor Load Data								
Load	0%	25%	50%	75%	100%	115%	125%	LR
Current (Amps)	1.90	2.10	2.56	3.2	3.9	4.4	4.7	33.5
Torque (ft-lb)	0.00	2.20	4.4	6.6	8.9	10.3	11.2	22.5
RPM	1800	1792	1785	1777	1770	1766	1755	0
Efficiency (%)		80.8	87.7	89.6	89.5	89.9	89.5	
P.F. (%)	6.9	41.4	62.7	73.8	80.5	81.6	83.0	0.0

Motor Speed Data					Information Block					
	LR	Pull-Up	BD	Rated	Idle	HP	Sync. RPM	Frame	Enclosure	Construction
Speed (RPM)	0	900	1656	1770	1800	3.0	1800	182	TEFC	TFW
Current (Amps)	33.5	33.0	21.5	3.9	1.90					208-230/460#190/380
Torque (ft-lb)	22.5	21.0	36.0	8.9	0.00					60 Hz
										Design B
										LR Code letter K
										Service Factor 1.15
										Temp Rise @ FL 40 °C
										Duty CONT
										Ambient 40 °C
										Elevation 1,000 feet
										Rotor/Shaft wk <sup>2</sup> 0.38 LB-Ft <sup>2</sup>
										Ref Wdg T84174 FR
										Sound Pressure @ 1M 0 dBA
										VFD Rating NONE
										Outline Dwg 035480-900
										Conn. Diag 005010.01
										Additional Specifications:
										0
										EQUIV CKT (OHMS / PHASE)
										R1 R2 X1 X2 Xm
										0.0000 0.0000 0.0000 0.0000 0.0000



	R1	R2	X1	X2	Xm
	0.0000	0.0000	0.0000	0.0000	0.0000

