

PRODUCT INFORMATION PACKET



Model No: 119525.00
Catalog No: 119525.00
3 HP Washdown Motor, 3 phase, 3600 RPM, 208-230/460 V, 56C Frame, TEFC
Paint Free NEMA Washdown Motors



Regal and Leeson are trademarks of Regal Beloit Corporation or one of its affiliated companies.
©2019 Regal Beloit Corporation, All Rights Reserved. MC017097E





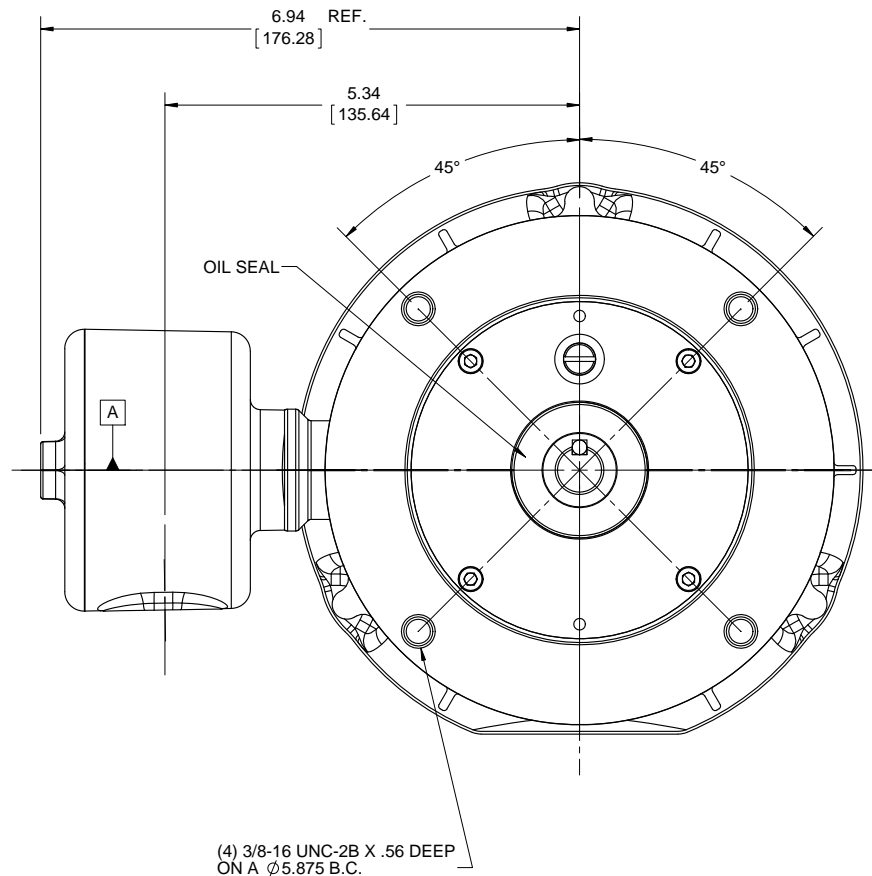
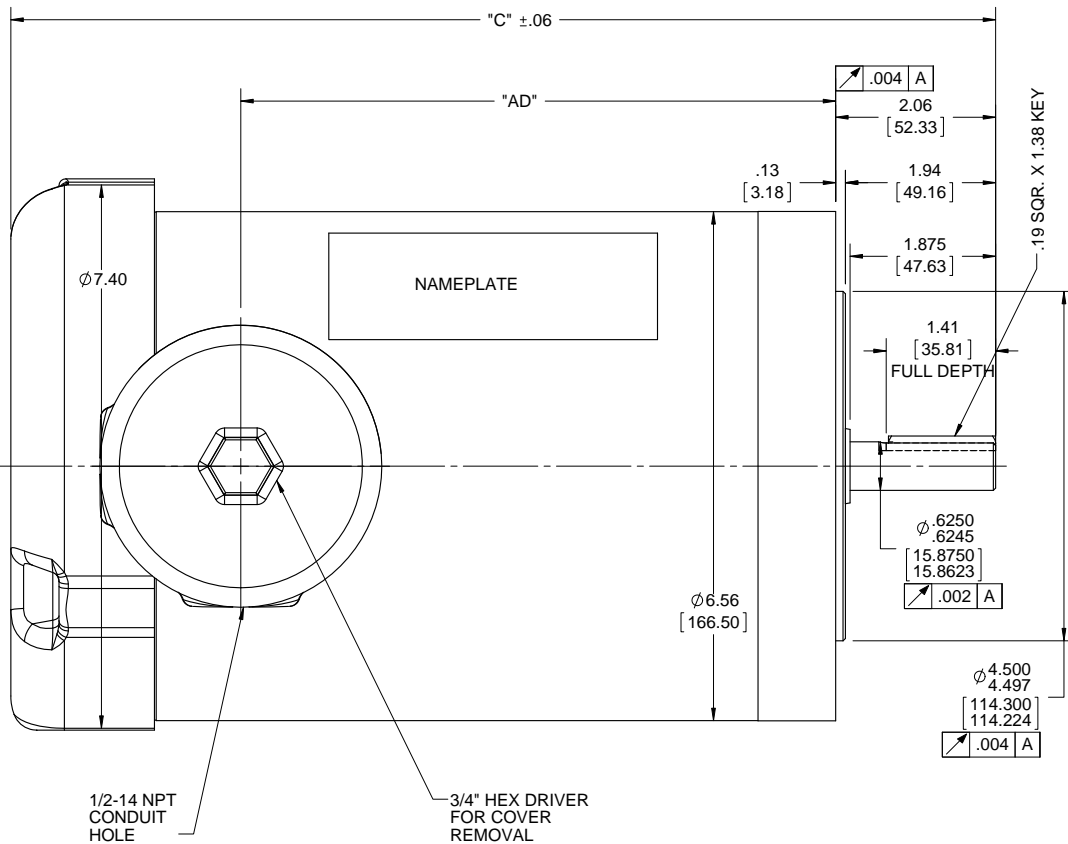
Nameplate Specifications

Output HP	3 Hp	Output KW	2.2 kW
Frequency	60 Hz	Voltage	208-230/460 V
Current	8.8-8.0/4.0 A	Speed	3490 rpm
Service Factor	1.15	Phase	3
Efficiency	86.5 %	Power Factor	86
Duty	Continuous	Insulation Class	F
Design Code	B	KVA Code	N
Frame	56C	Enclosure	Totally Enclosed Fan Cooled
Thermal Protection	No	Ambient Temperature	40 °C
Drive End Bearing Size	6205	Opp Drive End Bearing Size	6205
UL	Recognized	CSA	Y
CE	Y	IP Code	69

Technical Specifications

Electrical Type	Squirrel Cage Inverter Rated	Starting Method	Line Or Inverter
Poles	2	Rotation	Reversible
Resistance Main	3.83 Ohms	Mounting	Round
Motor Orientation	Horizontal	Drive End Bearing	Ball
Opp Drive End Bearing	Ball	Frame Material	Stainless Steel
Shaft Type	NEMA 56	Overall Length	12.94 in
Frame Length	8.00 in	Shaft Diameter	0.625 in
Shaft Extension	2.06 in	Assembly/Box Mounting	F1 Only

This is an uncontrolled document once printed or downloaded and is subject to change without notice. Date Created:01/11/2019



DASH NO.	"C"	"AD"
525	10.19	5.16
625	11.19	6.16
675	11.69	6.66
700	11.94	6.91
725	12.19	7.16
750	12.44	7.41
775	12.69	7.66
800	12.94	7.91
825	13.19	8.16
850	13.44	8.41

DRAWING REVISION F	REVISION BY AS	DATE 11/23/16
ECO ECO-0113507	APPROVED BY JD	DATE 11/23/16
ECO DESCRIPTION ADDED DASH # 700 & # 850		
<small>COPYRIGHT REGAL BELOIT AMERICA, INC. ALL RIGHTS RESERVED. PROPRIETARY AND CONFIDENTIAL INFORMATION - THIS DOCUMENT IS THE PROPERTY OF REGAL BELOIT AMERICA, INC. (OWNER) AND CONTAINS OWNER'S PROPRIETARY INFORMATION. ANY PERSON, CORPORATION OR OTHER FIRM RECEIVING IT IS DEEMED, BY RECEIVING IT, TO AGREE THAT IT, AND/OR ANY PART OF IT, SHALL NOT BE DISCLOSED TO ANY PERSON, CORPORATION OR OTHER ENTITY, DUPLICATED, AND/OR USED, EXCEPT AS EXPRESSLY APPROVED IN WRITING IN ADVANCE BY OWNER. THIS DOCUMENT SHALL BE RETURNED TO OWNER UPON REQUEST. IT MAY BE SUBJECT TO CERTAIN RESTRICTIONS UNDER APPLICABLE EXPORT CONTROL LAWS AND REGULATIONS.</small>		

TOLERANCES UNLESS OTHERWISE SPECIFIED:			
DEC.	INCH	mm	ANGLE
-X	± 0.1	[± 2.5]	$\pm 0.5^\circ$
.XX	± 0.01	[± 0.25]	
.XXX	± 0.005	[± 0.127]	
.XXXX	± 0.0005	[± 0.0127]	
REMOVE BURRS & BREAK SHARP			
EDGES: .003/.015 [0.076/3.81]			
CORNER FILLETS: .02 [0.51]			
MACHINED SURFACES: 125 $\sqrt{}$ 3.2			
mm SHOWN IN [BRACKETS] INCH $\sqrt{}$ mm			

DRAWN BY LST	DATE 6/12/14
APPROVED BY	DATE
REFERENCE	THIRD ANGLE PROJECTION

Regal Beloit America, Inc.	
DESCRIPTION MOTOR ASSY 56C FRAME - TEFC- "C" FACE	
MATERIAL	PROCESS/FINISH
SIZE B	DRAWING NUMBER 607-0175
SHEET 1 OF 1	