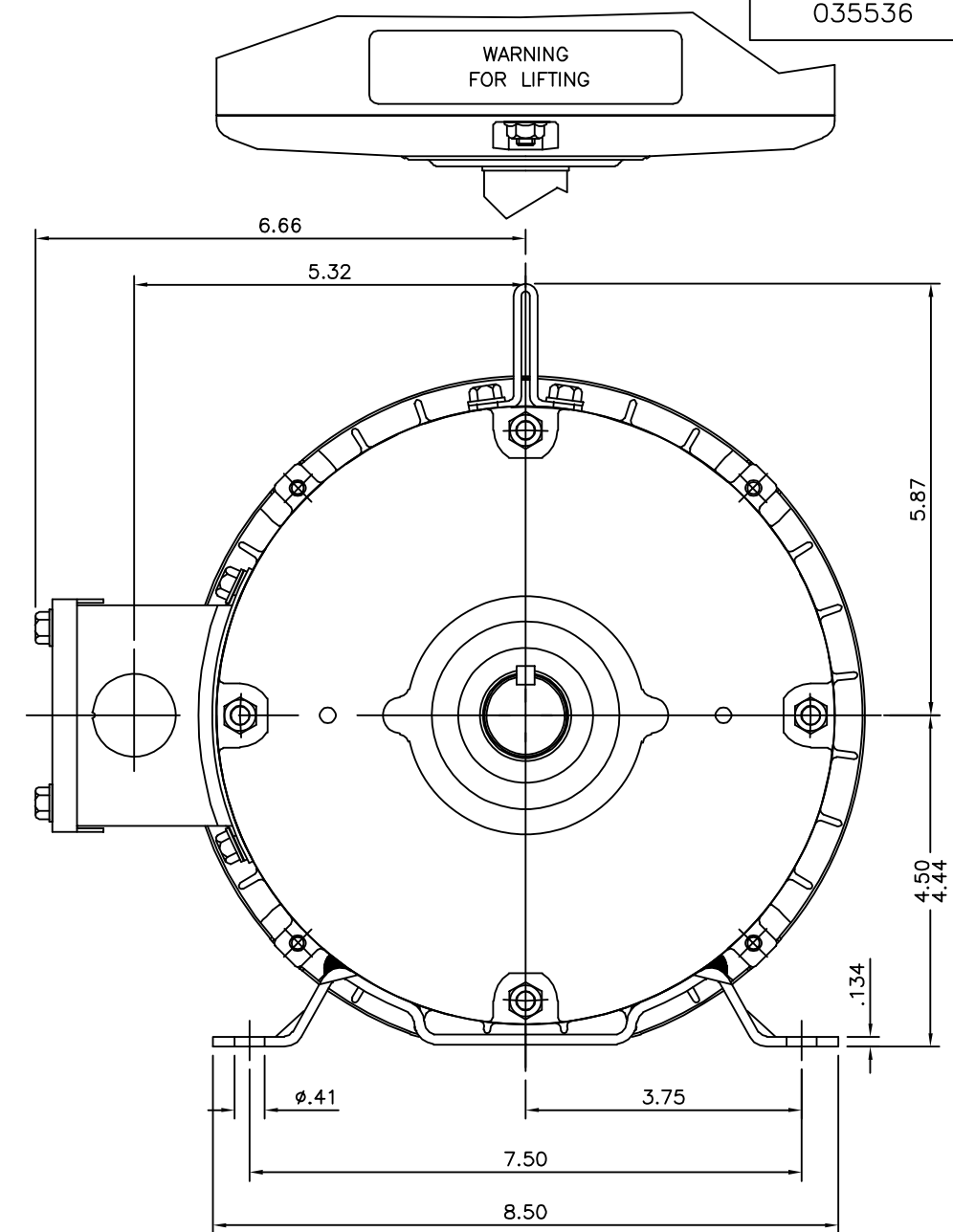
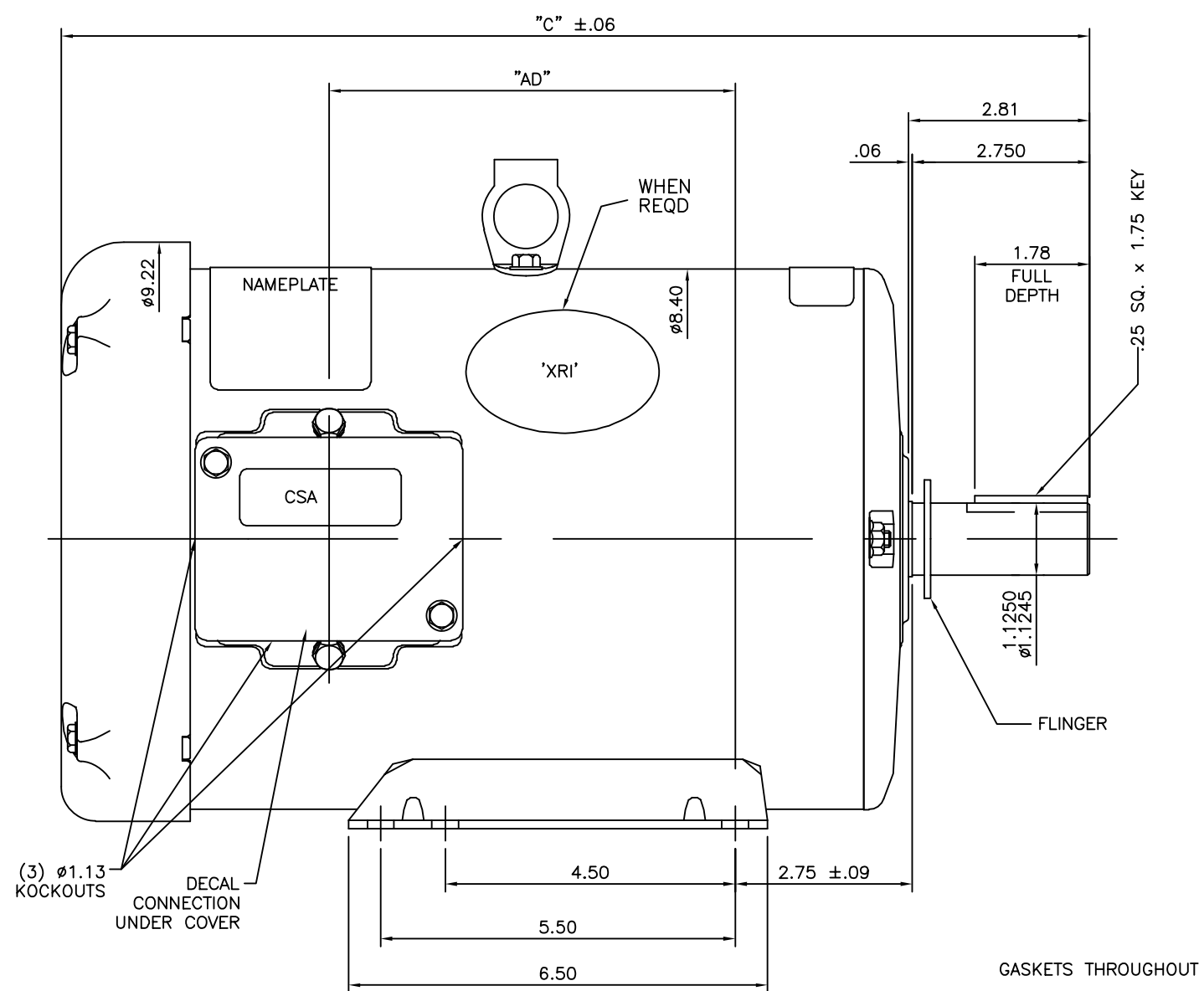


035536



DASH NO.	"C"	"AD"
750	12.97	3.37
800	13.47	3.87
850	13.97	4.37
900	14.47	4.87
950	14.97	5.37
1000	15.47	5.87
1050	15.97	6.37
1100	16.47	6.87
1150	16.97	7.37

ORACLE REV
003

NO.	REVISION	BY & DATE	CHK	ANG	FINISH
03	ADDED FLINGER	PVR 02/10/15	ST	.XX	±.03
02	WHEN REQD NOTE ADDED FOR 'XRI' DECAL	GR 02/07/13	AK	.XXX	±.005
01	UPDATED FRAME LENGTH TABLE	PVR 08/31/12	JD	.XXXX	±.0005

TOLERANCES UNLESS SPECIFIED	
DEC.	INCHES
.X	±.1
.XX	±.03
.XXX	±.005
.XXXX	±.0005
±1/2	



TITLE
OUTLINE- 180T FRAME
TEFC- RIGID

DRAWN	W 07/02/07
CHK	SV 07/02/07
APPD	VS 07/02/07
SCALE	1=2
REF	
FMF	
PREV	

THIS DRAWING IN DESIGN AND DETAIL IS OUR PROPERTY AND MUST NOT BE USED EXCEPT IN CONNECTION WITH OUR WORK ALL RIGHTS OF DESIGN AND INVENTION ARE RESERVED THIS IS AN ELECTRONICALLY GENERATED DOCUMENT - DO NOT SCALE THIS PRINT

RFP	CAD FILE	035536
DIST		

SIZE	DRAWING NO.	REV.
B	035536	03