

PRODUCT INFORMATION PACKET



Model No: C184T17WC106A

Catalog No: 132448.00

..5HP..1800RPM.184TC.TEFC.230/460V.3PH.60HZ.CONT.40C.1.15SF.C FACE.....WASHDOWN
MOTORS.....

3 Phase



Regal and Leeson are trademarks of Regal Beloit Corporation or one of its affiliated companies.

©2018 Regal Beloit Corporation, All Rights Reserved. MC017097E





Nameplate Specifications

Output HP	5 Hp	Output KW	3.7 kW
Frequency	60 Hz	Voltage	230/460 V
Current	12.6/6.3 A	Speed	1725 rpm
Service Factor	1.15	Phase	3
Efficiency	89.5 %	Duty	Continuous
Insulation Class	F	Design Code	B
KVA Code	J	Frame	184TC
Enclosure	Totally Enclosed Fan Cooled	Overload Protector	No
Ambient Temperature	40 °C	Drive End Bearing Size	6207
Opp Drive End Bearing Size	6207	UL	Recognized
CSA	Y	CE	Y
IP Code	55		

Technical Specifications

Electrical Type	Squirrel Cage Inverter Rated	Starting Method	Line Or Inverter
Poles	4	Rotation	Reversible
Mounting	Round	Motor Orientation	HORIZONTAL
Drive End Bearing	BALL	Opp Drive End Bearing	BALL
Frame Material	Stainless Steel	Shaft Type	T
Overall Length	15.77 in	Frame Length	10.00 in
Shaft Diameter	1.125 in	Shaft Extension	2.75 in
Assembly/Box Mounting	F1 ONLY		
Outline Drawing	035438-1000	Connection Diagram	005010.01

4

3

Uncontrolled Copy

2

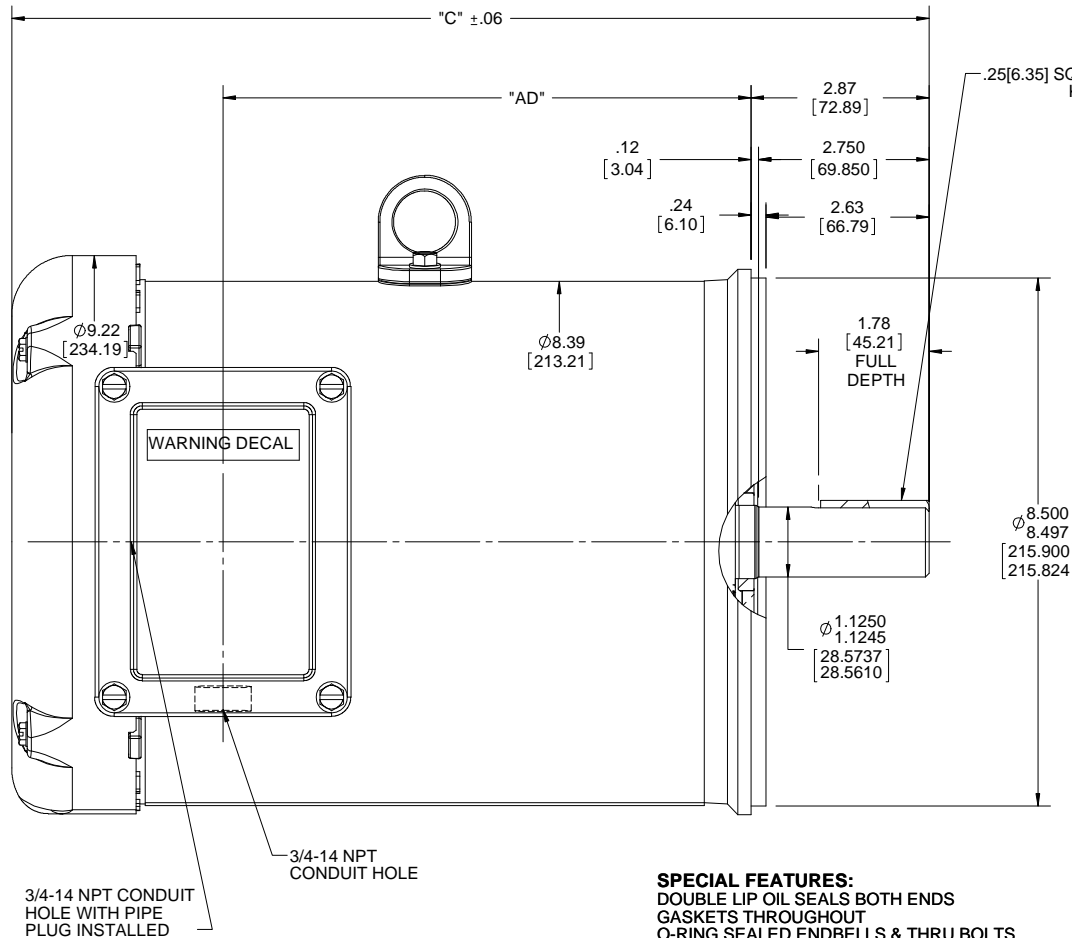
1

B

B

A

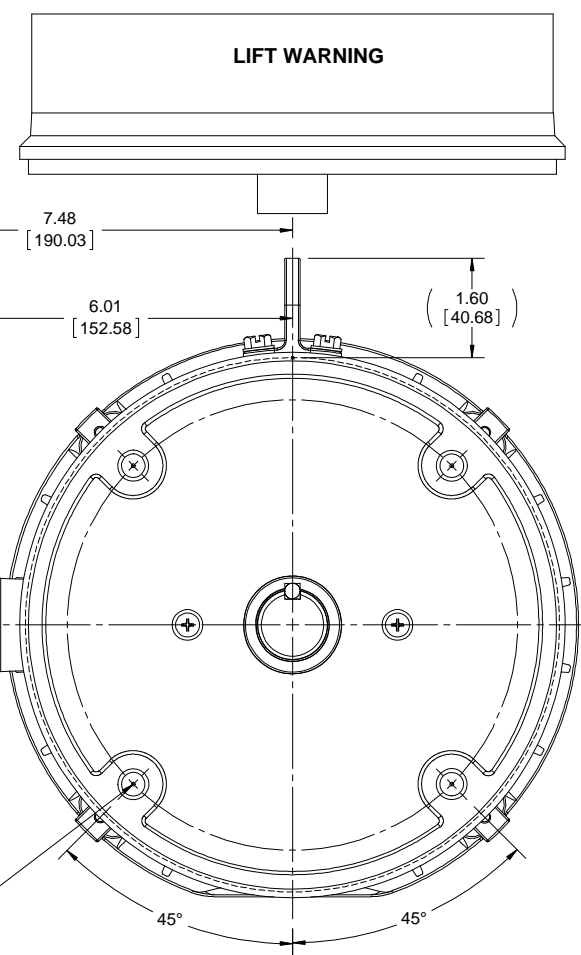
A



.25[6.35] SQ. X 1.75[44.45] S.S. KEYWAY

Ø 8.500 [215.900] Ø 8.497 [215.824]

Ø 1.1250 [28.5737] Ø 1.1245 [28.5610]



(4) 1/2-13 UNC-2B X .75 DEEP ON A Ø 7.250 B.C. WITH PLUGS

MAXIMUM FACE RUNOUT TO BE .004 T.I.R.
MAXIMUM PILOT ECCENTRICITY TO BE .004 T.I.R.
PERMISSIBLE SHAFT RUNOUT TO BE .002 T.I.R.

SPECIAL FEATURES:
DOUBLE LIP OIL SEALS BOTH ENDS
GASKETS THROUGHOUT
O-RING SEALED ENDBELLS & THRU BOLTS
LOCKED BEARING W/SEALED LOCK SCREWS

DASH NO.	"C"	"AD"	DRAWING REVISION F	REVISION BY NK	DATE 4/30/2018	TOLERANCES UNLESS OTHERWISE SPECIFIED: DEC. INCH mm ANGLE X .01 [-2.5] ±0.5° .XX ±0.03 [+0.76] .XXX ±0.005 [+0.127] .XXXX ±0.0005 [+0.0127] REMOVE BURRS & BREAK SHARP EDGES: .003/.015 [.076/.381] CORNER FILLETS: .02 [.51] MACHINED SURFACES: 125 3.2 INCH mm	DRAWN BY RDW 4/09/02	REGAL™ Regal Beloit America, Inc.	
850	14.27[362.45]	8.00[203.20]	ECO-01444184	APPROVED BY GR	DATE 4/30/2018		DATE		
900	14.77[375.15]	8.50[215.90]	ECO DESCRIPTION WARNING DECAL ADDED			COPYRIGHT REGAL BELOIT AMERICA, INC. ALL RIGHTS RESERVED. PROPRIETARY AND CONFIDENTIAL INFORMATION - THIS DOCUMENT IS THE PROPERTY OF REGAL BELOIT AMERICA, INC. (OWNER) AND CONTAINS OWNER'S PROPRIETARY INFORMATION. ANY PERSON, CORPORATION OR OTHER FIRM RECEIVING IT IS DEEMED, BY RECEIVING IT, TO AGREE THAT IT, AND/OR ANY PART OF IT, SHALL NOT BE DISCLOSED TO ANY PERSON, CORPORATION OR OTHER ENTITY, DUPLICATED, AND/OR USED, EXCEPT AS EXPRESSLY APPROVED IN WRITING IN ADVANCE BY OWNER. THIS DOCUMENT SHALL BE RETURNED TO OWNER UPON REQUEST. IT MAY BE SUBJECT TO CERTAIN RESTRICTIONS UNDER APPLICABLE EXPORT CONTROL LAWS AND REGULATIONS.	APPROVED BY KH 4/9/02	DESCRIPTION OUTLINE TEFC - "C" FACE	
950	15.27[387.85]	9.00[228.60]					DATE	MATERIAL STAINLESS STEEL DUCK	PROCESS/FINISH
1000	15.77[400.55]	9.50[241.30]					THIRD ANGLE PROJECTION	DRAWING NUMBER 035438	SHEET 1 OF 1

005010-01

VIEW FROM OUTSIDE OF MOTOR AT SWITCH END.



VOLTAGE	L1	L2	L3	JOIN & INSULATE
HIGH	T1	T2	T3	(T4,T7) (T5,T8) (T6,T9)
LOW	T1,T7	T2,T8	T3,T9	T4,T5,T6

				TOLERANCES UNLESS SPECIFIED		Regal Beloit America, Inc.		DRAWN RDW 04/12/02				
				DEC.	INCHES			CHK				
				.X	±.1			APPD				
				.XX	±.01			SCALE 1=1				
				.XXX	±.005	TITLE		REF FIG.2-51				
A	UPDATED TO REGAL LOGO			SAJ	06/26/15	AJY	.XXXX	±.0005	MAT'L.	DECAL - 004014	FMF	
NO.	REVISION			BY & DATE	CHK	ANG	±1/2"	FINISH			PREV	
THIS DRAWING IN DESIGN AND DETAIL IS OUR PROPERTY AND MUST NOT BE USED EXCEPT IN CONNECTION WITH OUR WORK ALL RIGHTS OF DESIGN AND INVENTION ARE RESERVED THIS IS AN ELECTRONICALLY GENERATED DOCUMENT - DO NOT SCALE THIS PRINT				RFP	04/12/02		CAD FILE	00501001		SIZE	DRAWING NO.	REV.
				DIST	BRF-NLV				A	005010-01		A



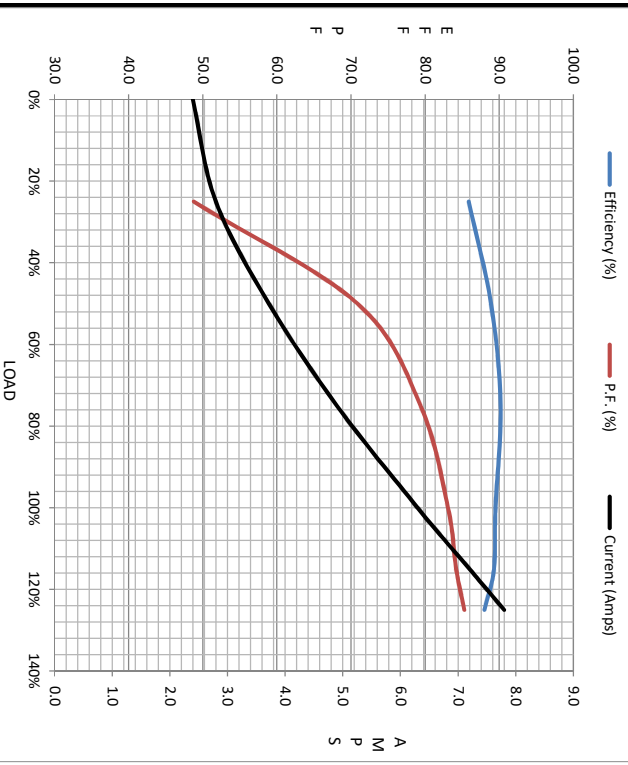
Motor Load Data						LR	
Load	0%	25%	50%	75%	100%	115%	125%
Current (Amps)	2.40	2.80	3.7	4.9	6.3	7.2	7.8
Torque (ft-lb)	0.00	3.7	7.4	11.1	15.0	17.4	18.8
RPM	1800	1790	1779	1768	1760	1747	1742
Efficiency (%)		85.9	88.9	90.2	89.5	89.3	88.0
P.F. (%)	6.8	48.8	70.9	79.4	83.1	84.2	85.3

Motor Speed Data

	LR	Pull-Up	BD	Rated	Idle
Speed (RPM)	0	900	1656	1760	1800
Current (Amps)	49.0	45.1	29.4	6.3	2.40
Torque (ft-lb)	30.1	29.8	50.2	15.0	0.00

Information Block

HP	5.0
Sync. RPM	1800
Frame	184
Enclosure	TEFC
Construction	TFW
Voltage	230/460#190/380 V
Frequency	60 Hz
Design	B
LR Code letter	J
Service Factor	1.15
Temp Rise @ FL	65 °C
Duty	CONT
Ambient	40 °C
Elevation	1,000 feet
Rotor/Shaft wk ²	0.49 lb-Ft ²
Ref Wdg	T84170 FR
Sound Pressure @ 1M	55 dBA
VFD Rating	CONSTANT 3:1
Outline Dwg	035438-1000
Conn. Diag	005010.01
Additional Specifications:	
0	
EQUIV CKT (OHMS / PHASE)	
R1	R2
0.0000	0.0000
X1	X2
0.0000	0.0000
Xm	Xm
0.0000	0.0000



Speed - Torque Curve

