

PRODUCT INFORMATION PACKET



Model No: 141286.00
Catalog No: 141286.00
7.50 HP Special Voltage Motor, 3 phase, 1800 RPM, 208/416 V, 213T Frame, ODP
200/400 Volts Motors



Regal and Leeson are trademarks of Regal Beloit Corporation or one of its affiliated companies.
©2019 Regal Beloit Corporation, All Rights Reserved. MC017097E

The Regal logo is located in the bottom right area. It features the word "REGAL" in a white, bold, sans-serif font, set against a dark grey, trapezoidal background. To the right of the logo is a vertical decorative bar with a blue-to-black gradient and a halftone dot pattern.



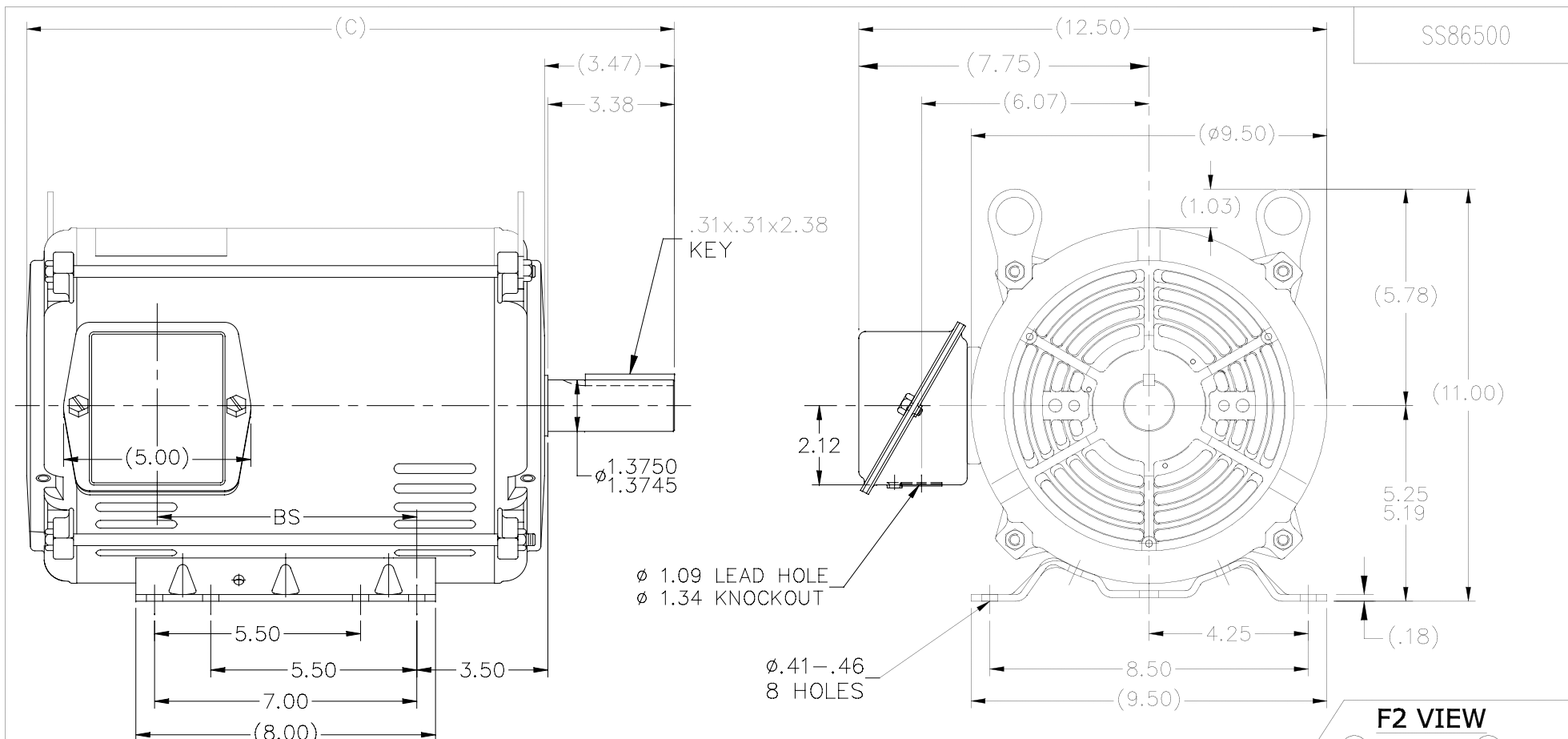
Nameplate Specifications

Output HP	7.50 Hp	Output KW	5.6 kW
Frequency	60 Hz	Voltage	208/416 V
Current	22.1/11.1 A	Speed	1765 rpm
Service Factor	1.15	Phase	3
Efficiency	91 %	Power Factor	77.1
Duty	Continuous	Insulation Class	F
Design Code	B	KVA Code	H
Frame	213T	Enclosure	Drip Proof
Thermal Protection	Automatic	Ambient Temperature	40 °C
Drive End Bearing Size	6307	Opp Drive End Bearing Size	6206
UL	Recognized	CSA	Y
CE	Y	IP Code	22

Technical Specifications

Electrical Type	Squirrel Cage Induction Run	Starting Method	Across The Line
Poles	4	Rotation	Reversible
Resistance Main	1.56 Ohms	Mounting	Rigid base
Motor Orientation	Horizontal	Drive End Bearing	Ball
Opp Drive End Bearing	Ball	Frame Material	Rolled Steel
Shaft Type	T	Overall Length	17.30 in
Frame Length	11.15 in	Shaft Diameter	1.375 in
Shaft Extension	3.38 in	Assembly/Box Mounting	F1 Only

This is an uncontrolled document once printed or downloaded and is subject to change without notice. Date Created:01/11/2019



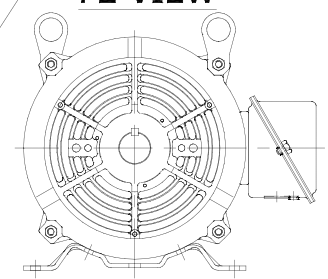
SS86500

.31x.31x2.38
KEY

∅ 1.09 LEAD HOLE
∅ 1.34 KNOCKOUT


∅.41-.46
8 HOLES

F2 VIEW



- NOTES:
1. NAMEPLATE TO BE READ FROM C'BOX SIDE OF MOTOR.
 2. BOX CAN BE MOUNTED IN 90° STEPS.
 3. BOX CAN BE MOUNTED ON OPPOSITE SIDE BY REMOVING BRACKETS AND TURNING FRAME 180°. (EXCEPT AS NOTED.)

DASH	FR.	C	BS	MOUNTING
1115	213/15T	17.30	6.93	F1/F2
1240	213/15T	18.55	8.18	F1 ONLY

14	TITLE BLOCK LOGO CHANGE PER ECO-0078542	MDV 06/09/2015	MDV	TOLERANCES UNLESS SPECIFIED		 Regal Beloit America, Inc.	DRAWN SMC 04-13-1993		
13	FOR FRAME 11.15 MOUNTING NOTE ADDED	UD 12/13/12	SR	DEC.	INCHES		CHK MOL 04-04-1993		
12	ADDED: F2 VIEW.	KVN 2/10/2009	SVL	.X	±.1		APPD DRN 04-13-1993		
11	UPDATED DRAWING	TJW 04/27/2007		.XX	±.03	TITLE OUTLINE	SCALE 1=4		
10	REM'VD. DASH 965 FROM SERIES CN38252	RWR 07-20-2004	ML	.XXX	±.005	210 FR. - BB - TS - DR. PR.	REF		
9	REDRAWN IN AUTOCAD	TAT 06-29-2004	ML	.XXXX	±.0005	MAT'L.	FMF		
NO.	REVISION	BY & DATE	CHK	ANG	±7'30"	FINISH	PREV		
THIS DRAWING IN DESIGN AND DETAIL IS OUR PROPERTY AND MUST NOT BE USED EXCEPT IN CONNECTION WITH OUR WORK ALL RIGHTS OF DESIGN AND INVENTION ARE RESERVED THIS IS AN ELECTRONICALLY GENERATED DOCUMENT - DO NOT SCALE THIS PRINT			RFP	CAD FILE ss86500		SIZE A	DRAWING NO. SS86500	PAGE 1 OF 1	REV. 14
			DIST LB						