

PRODUCT INFORMATION PACKET



Model No: C213T17WK19A

Catalog No: 194005.00

..7.5HP..1800RPM.213TC.TEFC.230/460V.3PH.60HZ.CONT.40C.1.15S.F..RIGID C FACE.....STAINLESS
WASHDOWN.NOT.....

Paint Free



Regal and Leeson are trademarks of Regal Beloit Corporation or one of its affiliated companies.

©2018 Regal Beloit Corporation, All Rights Reserved. MC017097E





Nameplate Specifications

Output HP	7.50 Hp	Output KW	5.6 kW
Frequency	60 Hz	Voltage	230/460 V
Current	19.4/9.7 A	Speed	1745 rpm
Service Factor	1.15	Phase	3
Efficiency	91.7 %	Duty	Continuous
Insulation Class	F	Design Code	B
KVA Code	H	Frame	213TC
Enclosure	Totally Enclosed Fan Cooled	Overload Protector	No
Ambient Temperature	40 °C	Drive End Bearing Size	6306
Opp Drive End Bearing Size	6306	UL	Recognized
CSA	Y	CE	Y
IP Code	55		

Technical Specifications

Electrical Type	Squirrel Cage Inverter Rated	Starting Method	Line Or Inverter
Poles	4	Rotation	Reversible
Mounting	Rigid base	Motor Orientation	HORIZONTAL
Drive End Bearing	BALL	Opp Drive End Bearing	BALL
Frame Material	Stainless Steel	Shaft Type	T
Overall Length	21.57 in	Frame Length	13.39 in
Shaft Diameter	1.375 in	Shaft Extension	3.38 in
Assembly/Box Mounting	F1/F2 CAPABLE		
Outline Drawing	OL210TCSST	Connection Diagram	005010.01

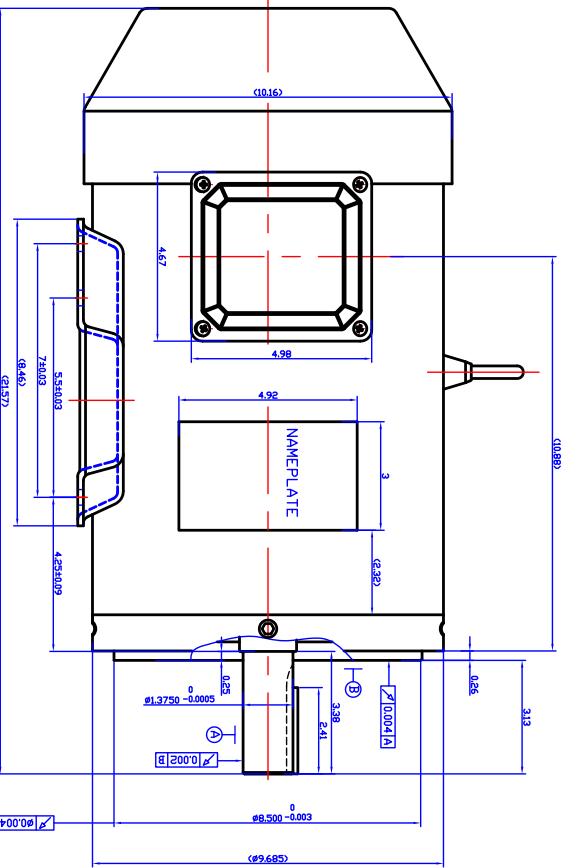
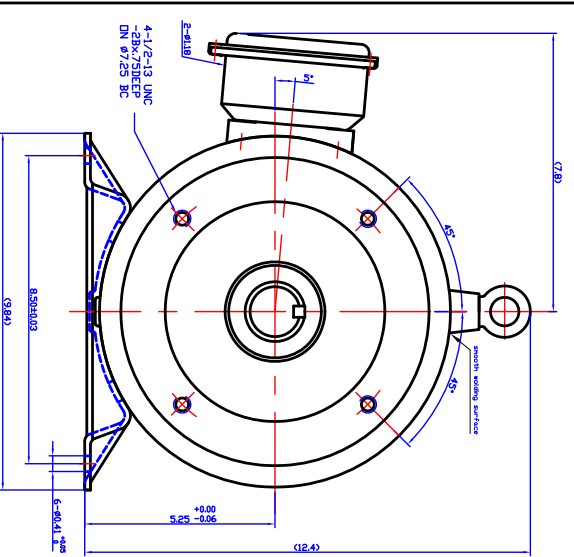
Revised Copy

REV BY

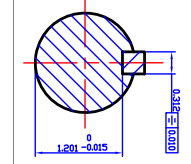
DATE

APPD

DATE



CAT. NO.	GV MODEL NO.	FRAME	HP	VOLTS	HZ	RPM	MOUNTING	S.F.	DUTY	ENCL.	PH
19400400	GV575-2-213TC	213TC-2	7.5	230/460	60	3600	RIGID-C FLANGE	115	CONT.	TEFC	3
19402800	GV575-2-575-213TC	213TC-2	7.5	575	60	3600	RIGID-C FLANGE	115	CONT.	TEFC	3
19400500	GV575-4-213TC	213TC-4	7.5	230/460	60	1800	RIGID-C FLANGE	115	CONT.	TEFC	3
19410600	GV575-4-575-213TC	213TC-4	7.5	575	60	1800	RIGID-C FLANGE	115	CONT.	TEFC	3
19400600	GV510-2-215TC	215TC-2	10	230/460	60	3600	RIGID-C FLANGE	115	CONT.	TEFC	3
19410700	GV510-2-575-215TC	215TC-2	10	575	60	3600	RIGID-C FLANGE	115	CONT.	TEFC	3
19400700	GV510-4-215TC	215TC-4	10	230/460	60	1800	RIGID-C FLANGE	115	CONT.	TEFC	3
19410800	GV510-4-575-215TC	215TC-4	10	575	60	1800	RIGID-C FLANGE	115	CONT.	TEFC	3



DR BY: ZHAOQING 2016-08-18

APPD:

REGAL REGAL-BELLOTT CORPORATION

FIRST ANGLE PROJECTION



DESCRIPTION
OUTLINE OF SST MOTORS FOR 210 FR

CONFIDENTIAL: THIS DRAWING AND ITS INFORMATION ARE THE EXCLUSIVE AND CONFIDENTIAL PROPERTY OF REGAL BELLOTT CORPORATION AND ARE NOT TO BE DISCLOSED, DUPLICATED, DISTRIBUTED OR OTHERWISE USED WITHOUT THE WRITTEN CONSENT OF REGAL BELLOTT CORPORATION

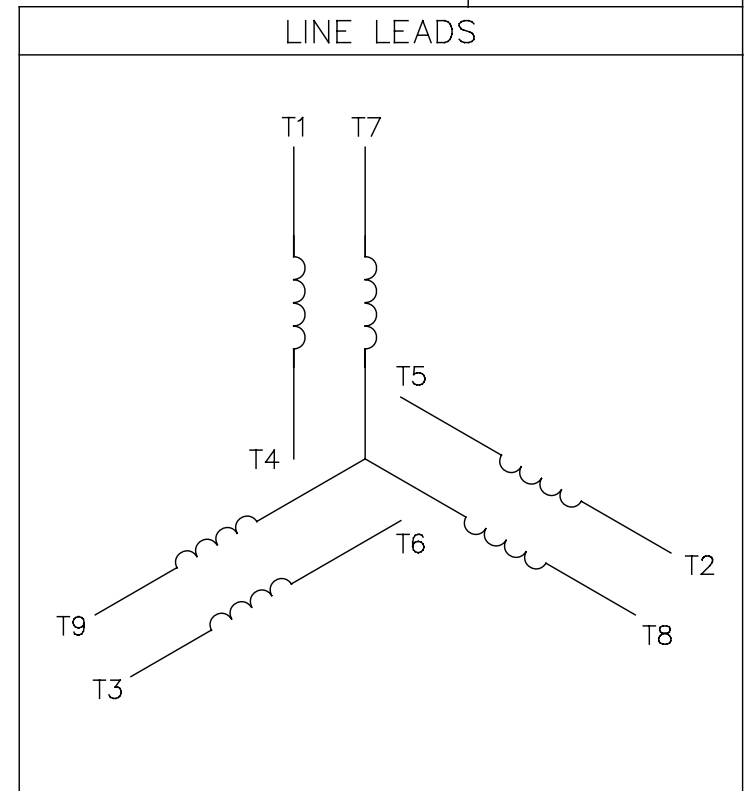
SIZE: A3
DWG NO: OL210TCSST

ALL RIGHTS RESERVED.

SCALE: 1:2 SHEET

005010-01

VIEW FROM OUTSIDE OF MOTOR AT SWITCH END.



VOLTAGE	L1	L2	L3	JOIN & INSULATE
HIGH	T1	T2	T3	(T4,T7) (T5,T8) (T6,T9)
LOW	T1,T7	T2,T8	T3,T9	T4,T5,T6

				TOLERANCES UNLESS SPECIFIED		REGAL ™ Regal Beloit America, Inc.		DRAWN RDW 04/12/02		
				DEC.	INCHES			CHK		
				.X	±.1	TITLE EXTERNAL WIRING DIAGRAM 3 PHASE W/O PROTECTOR		APPD		
				.XX	±.01			SCALE 1=1		
				.XXX	±.005			REF FIG.2-51		
A	UPDATED TO REGAL LOGO	SAJ 06/26/15	AJY	.XXXX	±.0005	MAT'L. DECAL - 004014		FMF		
NO.	REVISION	BY & DATE	CHK	ANG	±1/2"	FINISH		PREV		
THIS DRAWING IN DESIGN AND DETAIL IS OUR PROPERTY AND MUST NOT BE USED EXCEPT IN CONNECTION WITH OUR WORK ALL RIGHTS OF DESIGN AND INVENTION ARE RESERVED THIS IS AN ELECTRONICALLY GENERATED DOCUMENT - DO NOT SCALE THIS PRINT				RFP	04/12/02	CAD FILE 00501001		SIZE	DRAWING NO.	REV.
				DIST	BRF-NLV			A	005010-01	A