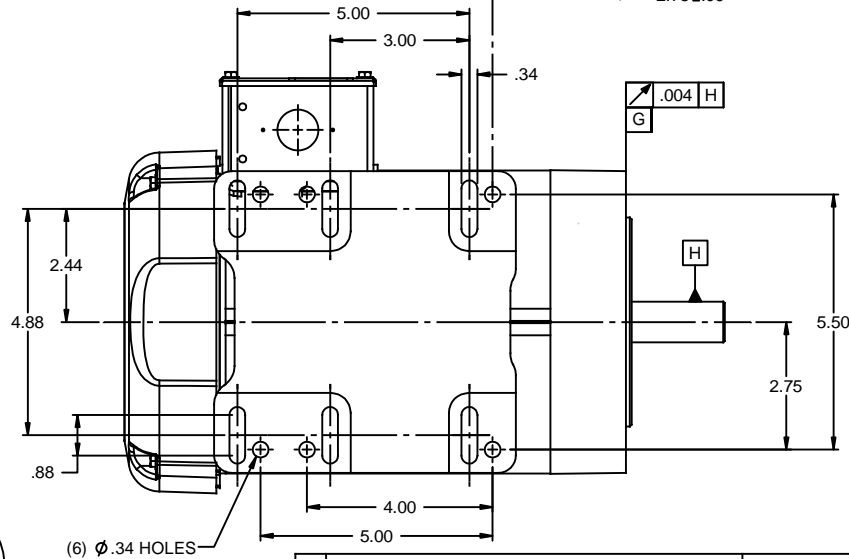


(3) Ø.88 KNOCKOUTS

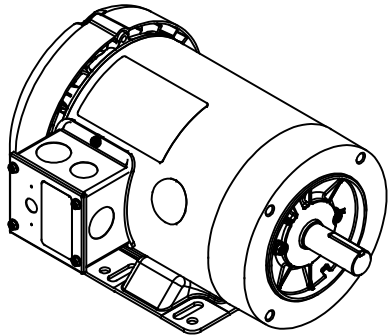
(4) 3/8-16 UNC-2B x .56 DP.  
ON A Ø5.875 B.C.



(6) Ø.34 HOLES

NOTE:  
1) GASKETS THROUGHOUT

DASH NO.	"C"	"AD"
600	11.92	3.19
650	12.42	3.69
700	12.92	4.19
750	13.42	4.69
800	13.92	5.19



TOLERANCES UNLESS SPECIFIED		LEESON ELECTRIC MOTORS GEARMOTORS AND DRIVES		DRAWN GRB 12/05/08	
DEC	INCHES	TITLE OUTLINE - 140TC/56HCZ FRAME TEFC - RIGID "C" FACE		CHK DJ 12/05/08	
X	±.1			APPR DJ 12/05/08	
.XX	±.03			SCALE 3:8	
.XXX	±.005			REF 028566	
.01	ADDED BOTTOM VIEW	PG 5/19/2010	MATL	FMF 120485.00	
REVISION		BY & DATE	CHK ANG ±1/2°	FINISH GENERAL PURPOSE	
THIRD ANGLE PROJECTION		RFP 12/05/08	PREV	SIZE B	DRAWING NO 028911
		NETWORK FILE NAME 028911			REV 01