

PRODUCT INFORMATION PACKET



Model No: 119459.00
Catalog No: 119459.00
1.50 HP Jet Pump Motor, 3 phase, 3600 RPM, 208-230/460 V, 56J Frame, TEFC
Jet Pump Motors



Regal and Leeson are trademarks of Regal Beloit Corporation or one of its affiliated companies.
©2019 Regal Beloit Corporation, All Rights Reserved. MC017097E





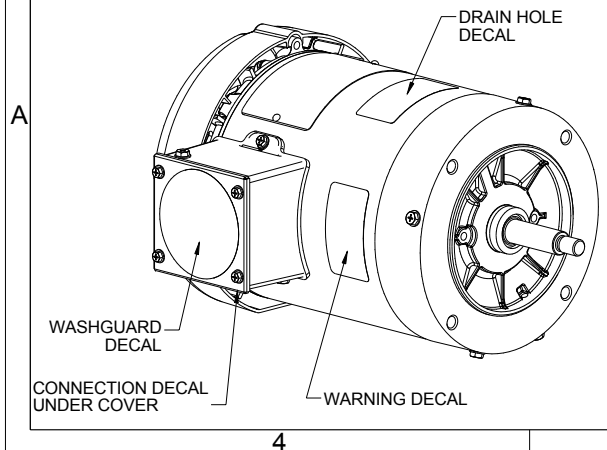
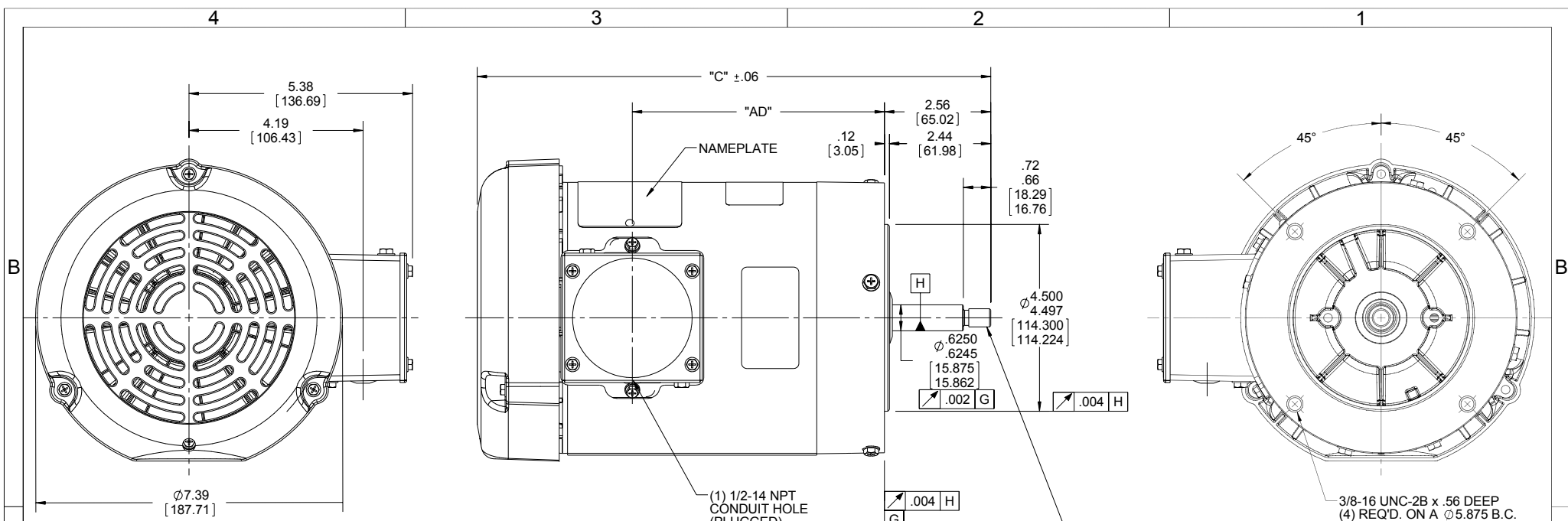
Nameplate Specifications

Output HP	1.50 Hp	Output KW	1.1 kW
Frequency	60 Hz	Voltage	208-230/460 V
Current	4.4-4.0/2.0 A	Speed	3490 rpm
Service Factor	1.15	Phase	3
Efficiency	84 %	Power Factor	82
Duty	Continuous	Insulation Class	F
Design Code	B	KVA Code	M
Frame	56J	Enclosure	Totally Enclosed Fan Cooled
Thermal Protection	No	Ambient Temperature	40 °C
Drive End Bearing Size	6205	Opp Drive End Bearing Size	6203
UL	Recognized	CSA	Y
CE	Y	IP Code	55

Technical Specifications

Electrical Type	Squirrel Cage Induction Run	Starting Method	Across The Line
Poles	2	Rotation	Reversible
Resistance Main	8.5 Ohms	Mounting	Round
Motor Orientation	Horizontal	Drive End Bearing	Ball
Opp Drive End Bearing	Ball	Frame Material	Rolled Steel
Shaft Type	J	Overall Length	12.87 in
Frame Length	6.50 in	Shaft Diameter	0.625 in
Shaft Extension	2.56 in	Assembly/Box Mounting	F1 Only

This is an uncontrolled document once printed or downloaded and is subject to change without notice. Date Created:01/11/2019



DASH NO.	"C"	"AD"
450	10.87	4.56
500	11.37	5.06
550	11.87	5.56
600	12.37	6.06
650	12.87	6.56
700	13.37	7.06
750	13.87	7.56
800	14.37	8.06

WASHGUARD MOTOR

- SPECIAL FEATURES:
1. SHAFT SEALS & V-RING.
 2. PLUGGED DRAIN HOLES IN ENDBELLS & CONDUIT BOX.
 3. BUNA-N GASKETS THROUGHOUT.
 4. STAINLESS STEEL SHAFT, HARDWARE & NAMEPLATE.

DRAWING REVISION E	REVISION BY SAJID	DATE 07/06/2015	TOLERANCES UNLESS OTHERWISE SPECIFIED: DEC. INCH mm ANGLE X +0.1 [+2.5] $\pm 7-30^\circ$.XX ± 0.03 [+0.76] .XXX ± 0.005 [+0.127] .XXXX ± 0.0005 [+0.0127]	DRAWN BY PG 02/14/11	Regal Beloit America, Inc.
ECO-0080246	APPROVED BY JD	DATE 07/06/2015	REMOVE BURRS & BREAK SHARP EDGES: .003/.015 [.076/.381] X 45° CORNER FILLETS: R.02 [.51] MACHINED SURFACES: 200 $\sqrt{5.1}$ INCH mm	DATE	
ECO DESCRIPTION ADDED DASH NO 750 & 800 <small>COPYRIGHT REGAL BELOIT AMERICA, INC. ALL RIGHTS RESERVED. PROPRIETARY AND CONFIDENTIAL INFORMATION - THIS DOCUMENT IS THE PROPERTY OF REGAL BELOIT AMERICA, INC. ("OWNER") AND CONTAINS OWNER'S PROPRIETARY INFORMATION. ANY PERSON, CORPORATION OR OTHER FIRM RECEIVING IT IS DEEMED, BY RECEIVING IT, TO AGREE THAT IT, AND/OR ANY PART OF IT, SHALL NOT BE DISCLOSED TO ANY PERSON, CORPORATION OR OTHER ENTITY, DUPLICATED, AND/OR USED, EXCEPT AS EXPRESSLY APPROVED IN WRITING IN ADVANCE BY OWNER. THIS DOCUMENT SHALL BE RETURNED TO OWNER UPON REQUEST. IT MAY BE SUBJECT TO CERTAIN RESTRICTIONS UNDER APPLICABLE EXPORT CONTROL LAWS AND REGULATIONS.</small>			THIRD ANGLE PROJECTION	APPROVED BY	DESCRIPTION OUTLINE TEFC - "C" FACE
				REFERENCE	MATERIAL WASHGUARD - JET PUMP
				SIZE B	PROCESS/FINISH
				DRAWING NUMBER 607-0015	SHEET 1 OF 1