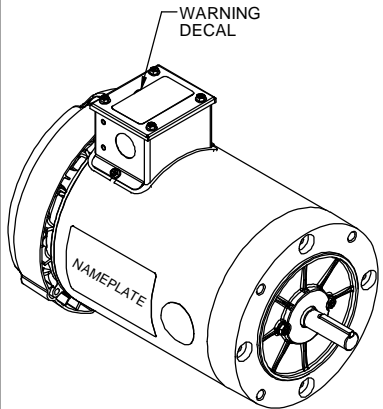
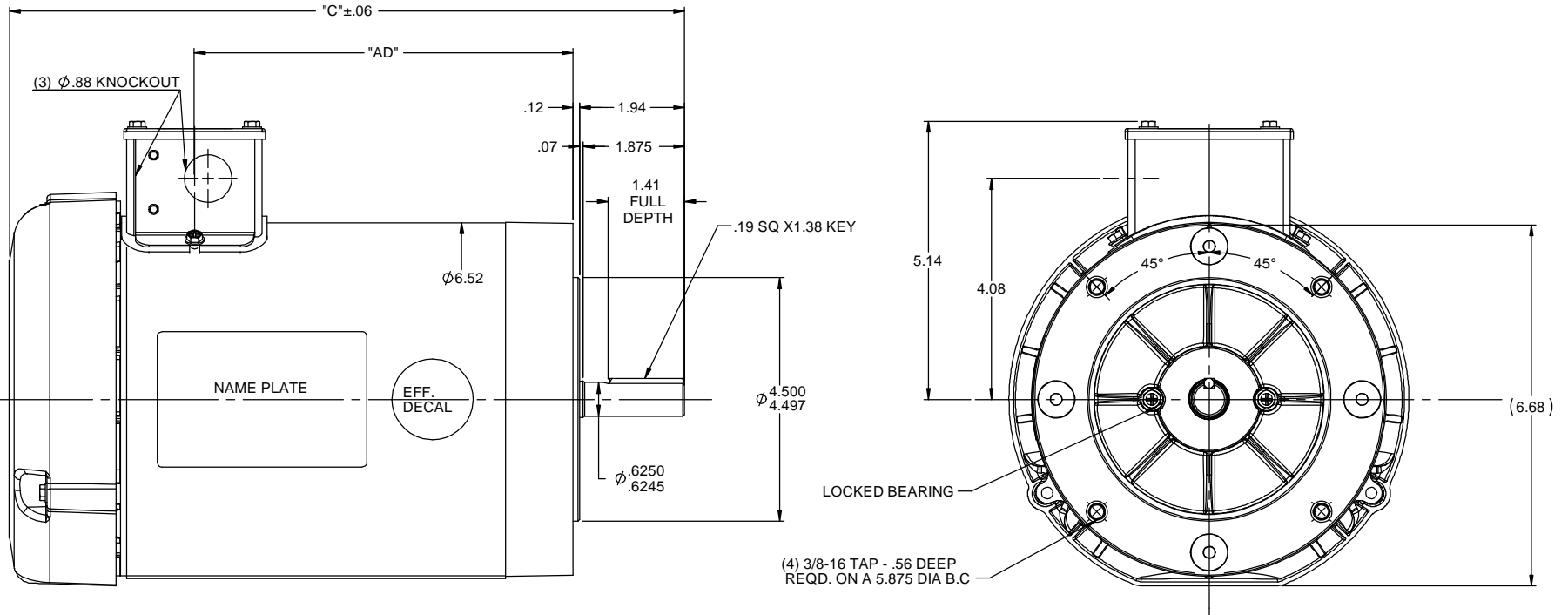


RBC PROPRIETARY AND CONFIDENTIAL INFORMATION  
 This document is the property of REGAL BELOIT CORPORATION ("RBC") including its subsidiaries and divisions and contains proprietary information of RBC. This document is loaned on the express condition that neither it nor the information contained therein shall be disclosed to others without the express written consent of RBC, and that the information shall be used by the recipient only as approved expressly by RBC. This document shall be returned to RBC upon its request. This document may be subject to certain restrictions under U.S. export control laws and regulations.



MAXIMUM FACE RUNOUT TO BE .004 T.I.R  
 MAXIMUM PILOT ECCENTRICITY .004 T.I.R  
 PERMISSIBLE SHAFT RUNOUT .002 T.I.R

DASH NO.	"C"	"AD"
500	10.48	5.00
550	10.98	5.50
600	11.48	6.00
650	11.98	6.50
700	12.48	7.00
750	12.98	7.50
800	13.48	8.00

NOTE:  
 1) GASKETS THROUGHOUT

TOLERANCES UNLESS SPECIFIED		LEESON	ELECTRIC MOTORS GEARMOTORS AND DRIVES	DRAWN	JD 11/17/2011
DEC	INCHES			CHK	VS 11/17/2011
X	±.1			APPR	
XX	±.03		TITLE	SCALE	1:2
XXX	±.005		C-FACE T.E.F.C	REF	607-0029
XXXX	±.0005		MATL	FMF	117711.00
			GENERAL PURPOSE	PAGE	OF
NO	REVISION	BY & DATE	CHK	ANG	±1/2°
			FINISH		
			RF	PREV	
			NETWORK FILE NAME	607-0032	
			SIZE	B	
			DRAWING NO	607-0032	
			REV		