

PRODUCT INFORMATION PACKET



Model No: C145T34WK39A

Catalog No: 122191.00

122191.00..3HP..3490RPM.145JM.TEFC.230/460V.3PH.60HZ.CONT.40C.1.15SF.JM
PUMP.C145T34WK39.....WASHDOWN MOTORS.T-STATS.....

Jm Pump



Regal and Leeson are trademarks of Regal Beloit Corporation or one of its affiliated companies.

©2018 Regal Beloit Corporation, All Rights Reserved. MC017097E



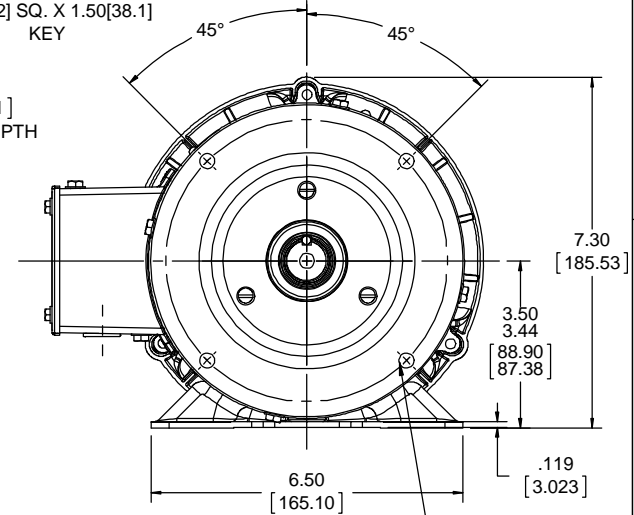
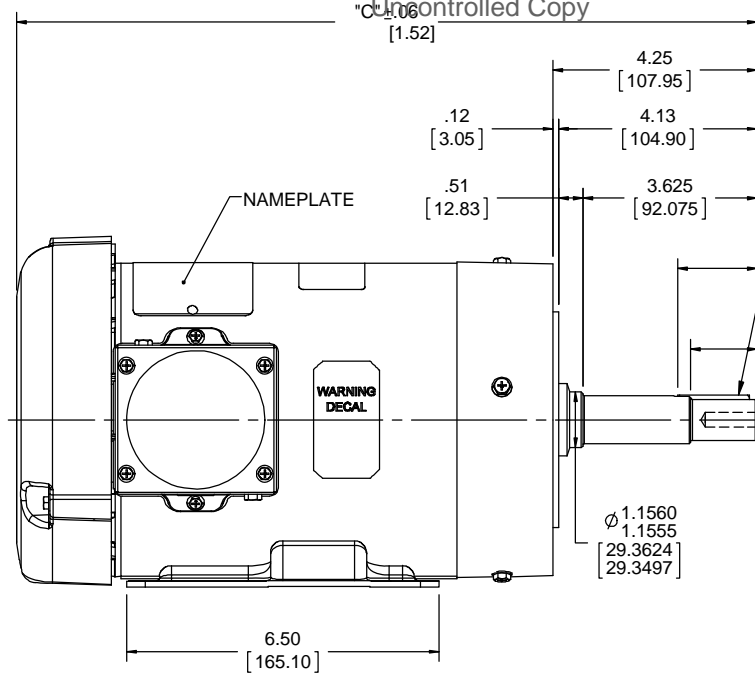
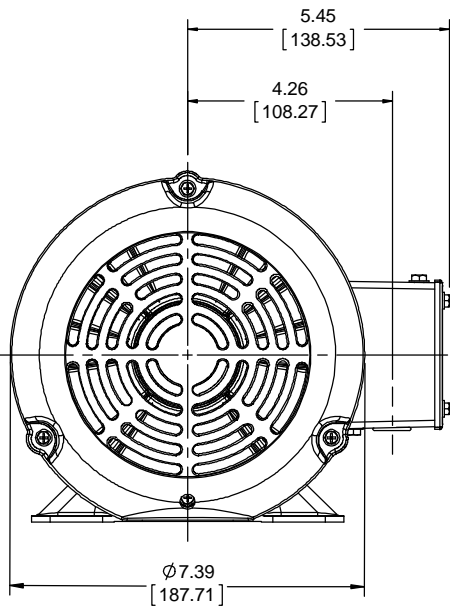


Nameplate Specifications

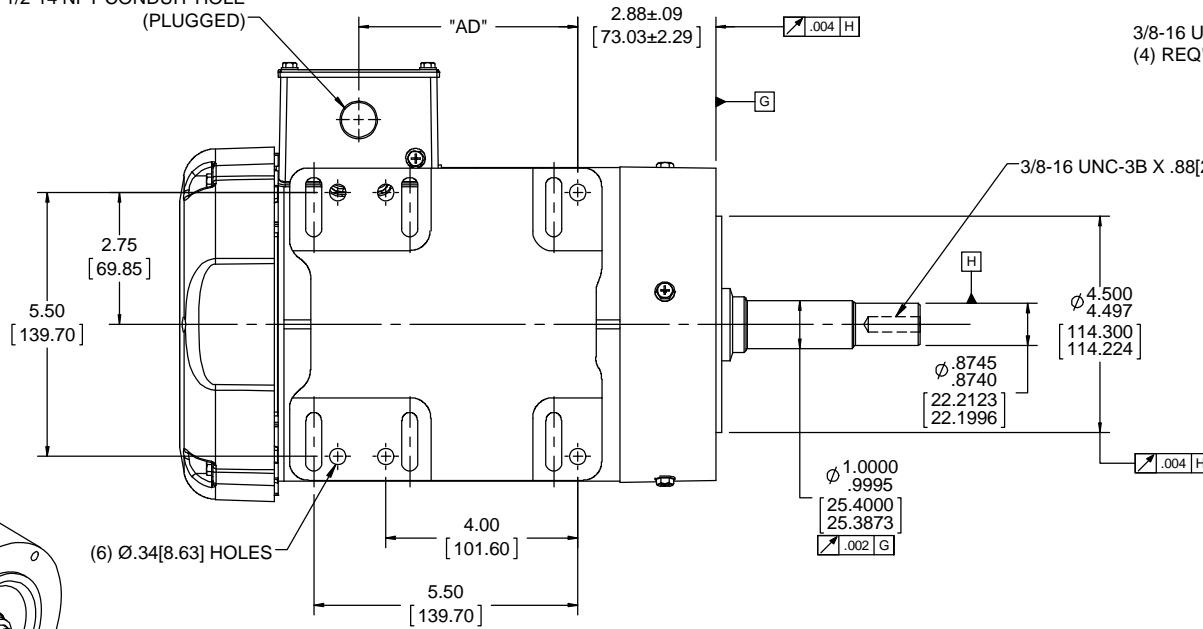
Output HP	3 Hp	Output KW	2.2 kW
Frequency	60 Hz	Voltage	208-230/460 V
Current	8.8-8.0/4.0 A	Speed	3490 rpm
Service Factor	1.15	Phase	3
Efficiency	86.5 %	Duty	Continuous
Insulation Class	F	Design Code	B
KVA Code	N	Frame	145JM
Enclosure	Totally Enclosed Fan Cooled	Overload Protector	No
Ambient Temperature	40 °C	Drive End Bearing Size	6206
Opp Drive End Bearing Size	6203	UL	Recognized
CSA	Y	CE	Y
IP Code	55		

Technical Specifications

Electrical Type	Squirrel Cage Induction Run	Starting Method	Across The Line
Poles	2	Rotation	Reversible
Mounting	Rigid base	Motor Orientation	HORIZONTAL
Drive End Bearing	BALL	Opp Drive End Bearing	BALL
Frame Material	Rolled Steel	Shaft Type	JM
Overall Length	16.43 in	Frame Length	8.00 in
Shaft Diameter	0.875 in	Shaft Extension	4.21 in
Assembly/Box Mounting	F1 ONLY		
Outline Drawing	607-0333-800	Connection Diagram	005010.20



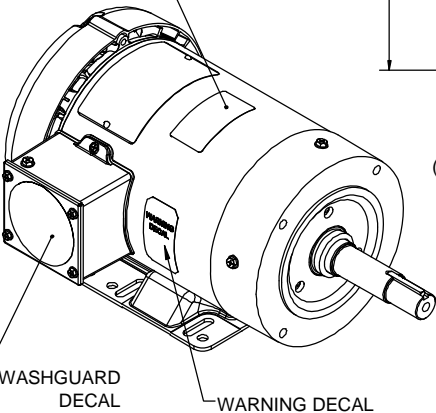
(1) 1/2-14 NPT CONDUIT HOLE (PLUGGED)



3/8-16 UNC-2B X .56 [14.22] DEEP
(4) REQ'D. ON A Ø5.875 [149.22] B.C.

3/8-16 UNC-3B X .88 [22.35] DEEP

DRAIN HOLE DECAL



(6) Ø.34 [8.63] HOLES

WASHGUARD MOTOR

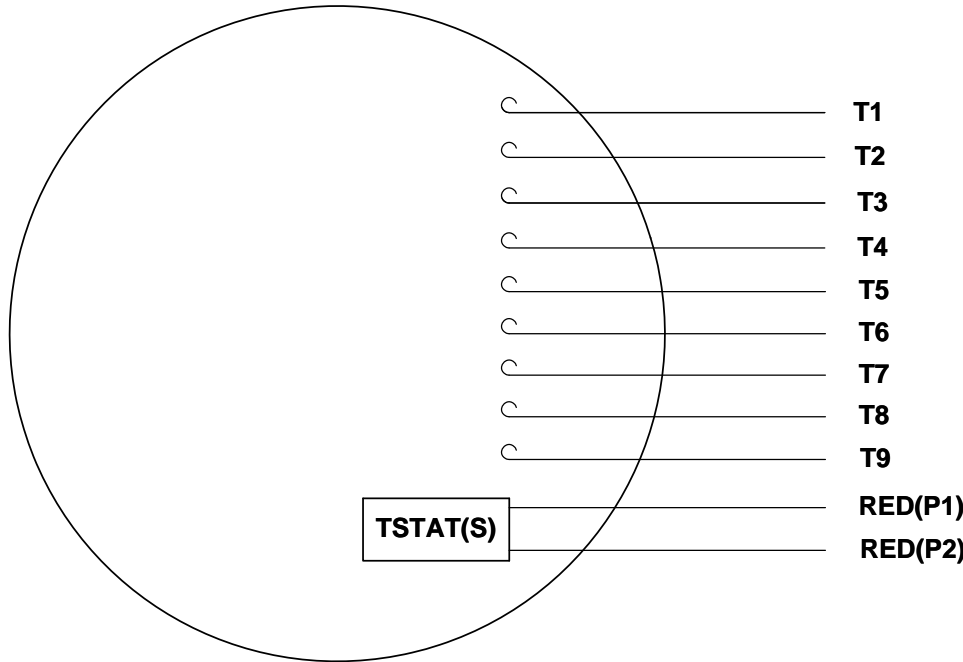
SPECIAL FEATURES:

1. SHAFT SEALS & V-RING.
2. PLUGGED DRAIN HOLES IN ENDBELLS & CONDUIT BOX.
3. BUNA-N GASKETS THROUGHOUT.
4. STAINLESS STEEL SHAFT, HARDWARE & NAMEPLATE.

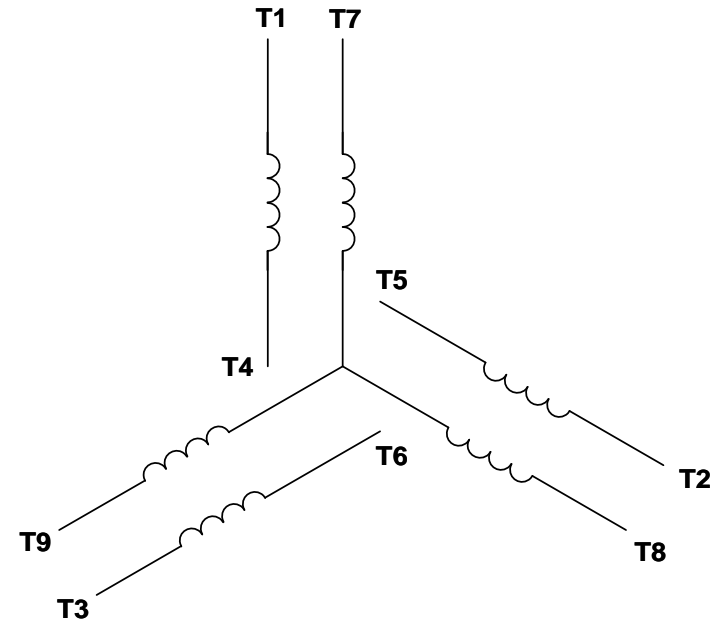
DASH NO.	"C"	"AD"
700	15.43 [391.92]	4.57 [116.07]
750	15.93 [404.62]	5.07 [128.77]
800	16.43 [417.32]	5.57 [141.47]

DRAWING REVISION	REVISION BY	DATE	TOLERANCES UNLESS OTHERWISE SPECIFIED:	DRAWN BY	DATE
A			DEC. INCH mm ANGLE	A. KEETHA	01/18/2018
ECO-0140840	APPROVED BY	DATE	.X ±0.1 [2.5] ±0.5°		
ECO DESCRIPTION			.XX ±0.03 [0.76]	APPROVED BY	PK
			.XXX ±0.005 [0.127]	DATE	03/08/2018
			.XXXX ±0.0005 [±0.0127]	REFERENCE	507-0013
OUTLINE CONVERSION PROJECT			REMOVE BURRS & BREAK SHARP EDGES: .0031 [0.078] / .381 [9.65] X 45° CORNER FILLETS: R.02 [51]	MATERIAL	
COPYRIGHT REGAL BELOIT AMERICA, INC. ALL RIGHTS RESERVED.			MACHINED SURFACES: 125 / 3.2 INCH/mil	PROCESS/FINISH	
PROPRIETARY AND CONFIDENTIAL INFORMATION. THIS DOCUMENT IS THE PROPERTY OF REGAL BELOIT AMERICA, INC. OWNERSHIP AND CONTAINING OWNERS PROPRIETARY INFORMATION. ANY PERSON, CORPORATION OR OTHER FIRM RECEIVING IT IS DEEMED BY RECEIVING IT, TO AGREE THAT IT, AND/OR ANY PART OF IT, SHALL NOT BE DISCLOSED TO ANY PERSON, CORPORATION OR OTHER ENTITY, DUPLICATED, AND/OR USED, EXCEPT AS EXPRESSLY APPROVED IN WRITING IN ADVANCE BY OWNER. THIS DOCUMENT SHALL BE RETURNED TO OWNER UPON REQUEST. IT MAY BE SUBJECT TO CERTAIN RESTRICTIONS UNDER APPLICABLE EXPORT CONTROL LAWS AND REGULATIONS.			THIRD ANGLE PROJECTION	SIZE	DRAWING NUMBER
				C	607-0333
					SHEET 1 OF 1

VIEW FROM OUTSIDE OF MOTOR AT SWITCH END. Uncontrolled Copy



LINE LEADS



VOLTAGE	L1	L2	L3	JOIN & INSULATE
HIGH	T1	T2	T3	(T4,T7) (T5,T8) (T6,T9)
LOW	T1,T7	T2,T8	T3,T9	T4,T5,T6

DRAWING REVISION **G** REVISION BY **MVG** DATE **04/05/2017**

ECO **ECO-0121253** APPROVED BY **SM** DATE **04/05/2017**

ECO DESCRIPTION
ADDED P1 & P2 FOR TSTAT

COPYRIGHT REGAL BELOIT AMERICA, INC. ALL RIGHTS RESERVED.
PROPRIETARY AND CONFIDENTIAL INFORMATION - THIS DOCUMENT IS THE PROPERTY OF
REGAL BELOIT AMERICA, INC. ("OWNER") AND CONTAINS OWNER'S PROPRIETARY
INFORMATION. ANY PERSON, CORPORATION OR OTHER FIRM RECEIVING IT IS DEEMED,
BY RECEIVING IT, TO AGREE THAT IT, AND/OR ANY PART OF IT, SHALL NOT BE DISCLOSED
TO ANY PERSON, CORPORATION OR OTHER ENTITY, DUPLICATED, AND/OR USED, EXCEPT
AS EXPRESSLY APPROVED IN WRITING IN ADVANCE BY OWNER. THIS DOCUMENT SHALL
BE RETURNED TO OWNER UPON REQUEST. IT MAY BE SUBJECT TO CERTAIN
RESTRICTIONS UNDER APPLICABLE EXPORT CONTROL LAWS AND REGULATIONS.

TOLERANCES UNLESS OTHERWISE SPECIFIED:

DEC.	INCH	mm	ANGLE
.X	±0.1	[±2.5]	±0.5°
.XX	±0.01	[±0.25]	
.XXX	±0.005	[±0.127]	
.XXXX	±0.0005	[±0.0127]	

REMOVE BURRS & BREAK SHARP EDGES: .003/.015 [.076/.381] X 45°
CORNER FILLETS: R.02 [.51]
MACHINED SURFACES: 125/3.2 INCH/mm
mm SHOWN IN [BRACKETS]

DRAWN BY **DBT 12/16/97**

DATE

APPROVED BY **KH 12/17/97**

DATE

REFERENCE

THIRD ANGLE PROJECTION



DESCRIPTION
CONN DIAGRAM-EXTERNAL
3 PHASE WITH PROTECTOR

MATERIAL **DECAL - 004014 (TSTAT) - 080582** PROCESS/FINISH **STOCK**

SIZE **A** DRAWING NUMBER **00501020** SHEET **1 OF 1**



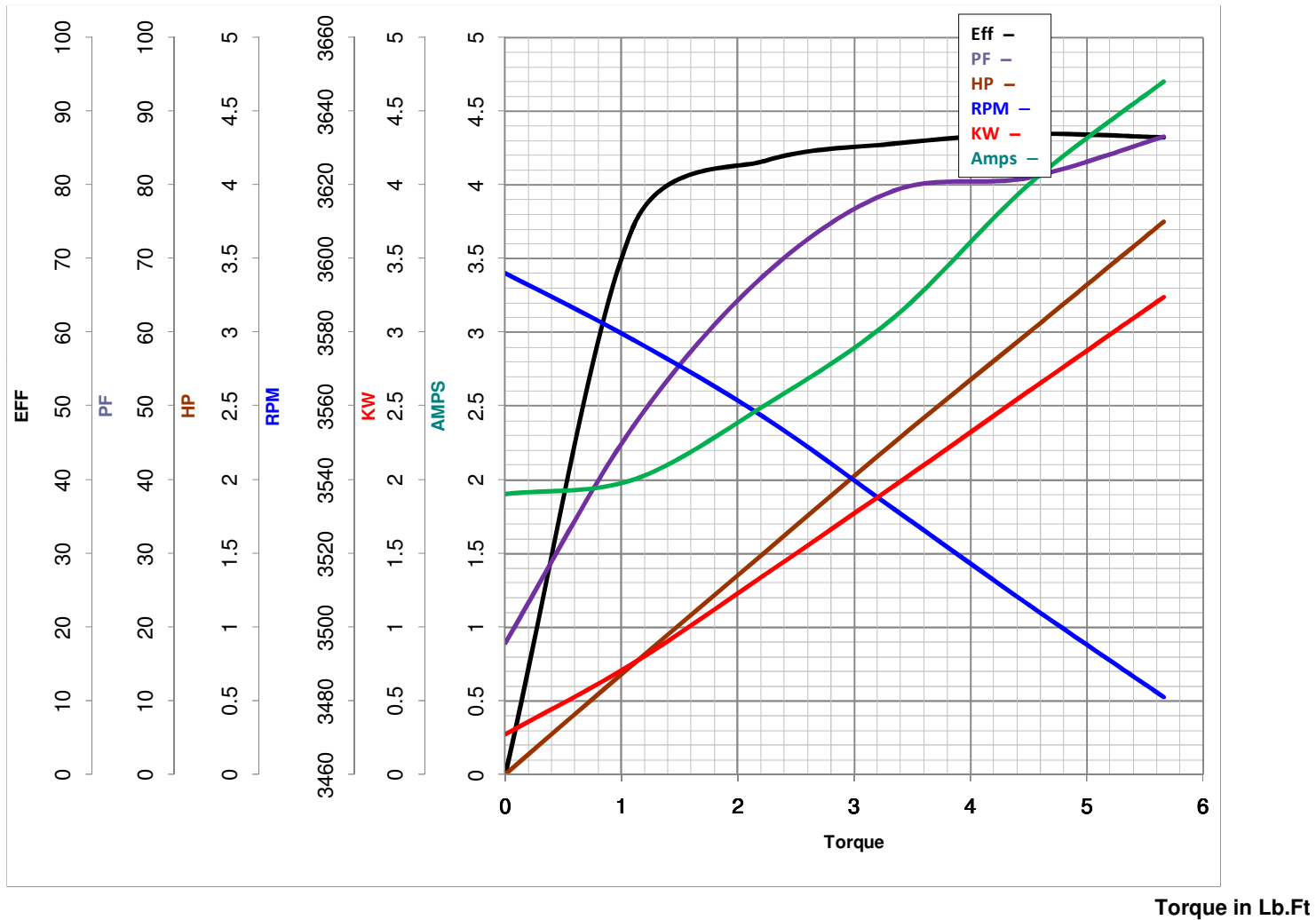
LEESON ELECTRIC CORPORATION
 TYPICAL PERFORMANCE CURVE for AC MOTOR

Model No 122191.00

Catalog No 122191.00

Curve at 460 Volts HP 3.00 PHASE 3
60 HZ
3 HP VOLTS 208-230/460

HZ 60 RPM 3490



FL TORQUE 4.5 Lb.Ft
 BD TORQUE 20.8 Lb.Ft
 LR TORQUE 17.97 Lb.Ft

FL AMPS 8.8-8/4
 PU TORQUE 17.5 Lb.Ft
 LR AMPS 41

WINDING T632209-3

Date 6/5/2018