

PRODUCT INFORMATION PACKET



Model No: 122222.00
Catalog No: 122222.00
2 HP Washdown Motor, 3 phase, 1800 RPM, 208-230/460 V, 145TC Frame, TEFC
Paint Free NEMA Washdown Motors



Regal and Leeson are trademarks of Regal Beloit Corporation or one of its affiliated companies.
©2019 Regal Beloit Corporation, All Rights Reserved. MC017097E





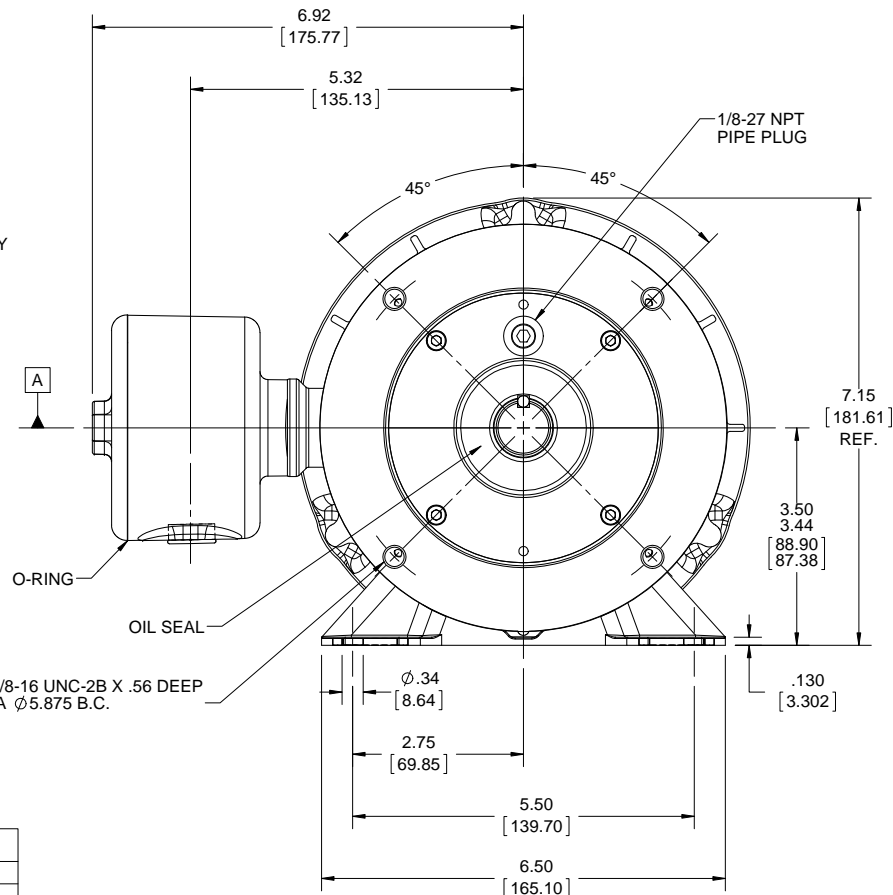
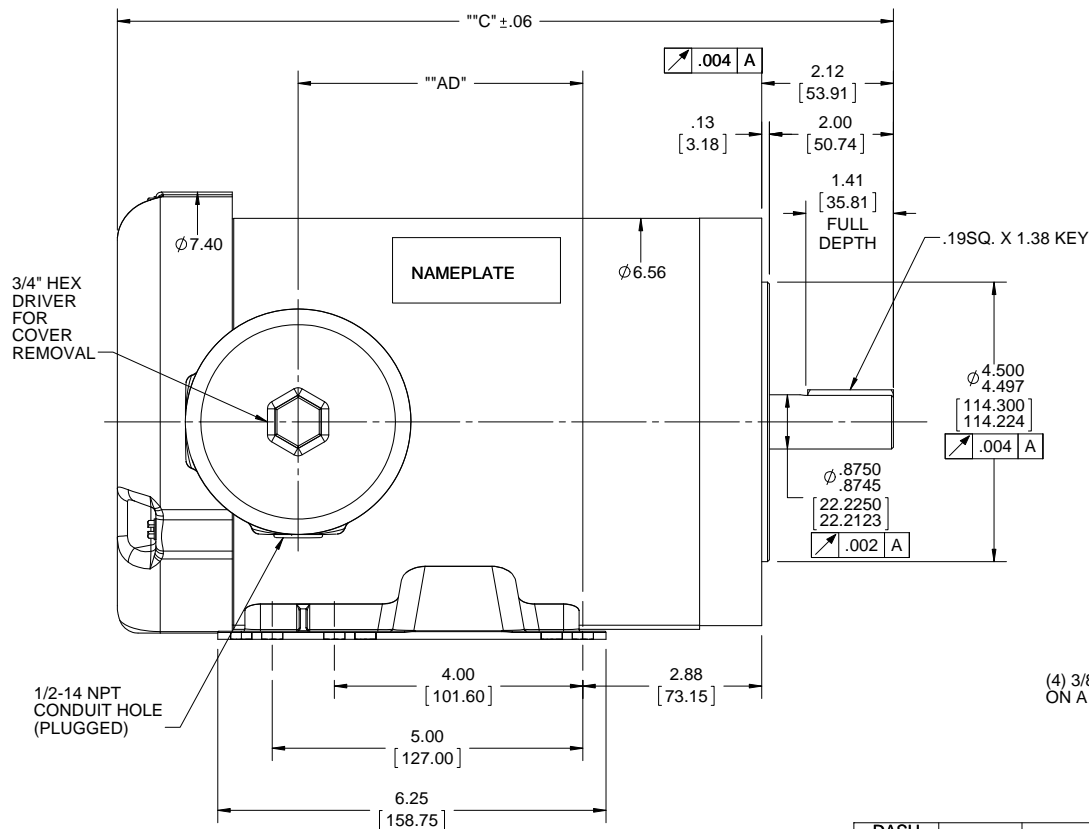
Nameplate Specifications

Output HP	2 Hp	Output KW	1.5 kW
Frequency	60 Hz	Voltage	208-230/460 V
Current	6.0-5.8/2.9 A	Speed	1745 rpm
Service Factor	1.15	Phase	3
Efficiency	86.5 %	Power Factor	75.6
Duty	Continuous	Insulation Class	F
Design Code	B	KVA Code	L
Frame	145TC	Enclosure	Totally Enclosed Fan Cooled
Thermal Protection	No	Ambient Temperature	40 °C
Drive End Bearing Size	6205	Opp Drive End Bearing Size	6205
UL	Recognized	CSA	Y
CE	Y	IP Code	69

Technical Specifications

Electrical Type	Squirrel Cage Inverter Rated	Starting Method	Line Or Inverter
Poles	4	Rotation	Reversible
Resistance Main	6 Ohms	Mounting	Rigid base
Motor Orientation	Horizontal	Drive End Bearing	Ball
Opp Drive End Bearing	Ball	Frame Material	Stainless Steel
Shaft Type	T	Overall Length	13.25 in
Frame Length	8.25 in	Shaft Diameter	0.875 in
Shaft Extension	2.12 in	Assembly/Box Mounting	F1 Only

This is an uncontrolled document once printed or downloaded and is subject to change without notice. Date Created:01/11/2019



DASH NO.	"C"	"AD"
600	11.00	3.10
625	11.25	3.35
700	12.00	4.10
750	12.50	4.60
775	12.75	4.85
800	13.00	5.10
825	13.25	5.35

ORACLE REV 00

DRAWING REVISION C	REVISION BY AS	DATE 06/06/2017
ECO-0124781	APPROVED BY JD	DATE 06/06/2017
ECO DESCRIPTION ADDED PLUGGED FOR CONDUIT HOLE & NPT PIPE PLUG <small> COPYRIGHT REGAL BELOIT AMERICA, INC. ALL RIGHTS RESERVED. PROPRIETARY AND CONFIDENTIAL INFORMATION - THIS DOCUMENT IS THE PROPERTY OF REGAL BELOIT AMERICA, INC. (OWNER) AND CONTAINS OWNERS PROPRIETARY INFORMATION. ANY PERSON, CORPORATION OR OTHER FIRM RECEIVING IT IS DEEMED, BY RECEIVING IT, TO AGREE THAT IT, AND/OR ANY PART OF IT, SHALL NOT BE DISCLOSED TO ANY PERSON, CORPORATION OR OTHER ENTITY, DUPLICATED, AND/OR USED, EXCEPT AS EXPRESSLY APPROVED IN WRITING IN ADVANCE BY OWNER. THIS DOCUMENT SHALL BE RETURNED TO OWNER UPON REQUEST. IT MAY BE SUBJECT TO CERTAIN RESTRICTIONS UNDER APPLICABLE EXPORT CONTROL LAWS AND REGULATIONS. </small>		

TOLERANCES UNLESS OTHERWISE SPECIFIED:			
DEC.	INCH	mm	ANGLE
.X	±0.1	[±2.5]	±0.5°
.XX	±0.01	[±0.25]	
.XXX	±0.005	[±0.127]	
.XXXX	±0.0005	[±0.0127]	
REMOVE BURRS & BREAK SHARP EDGES: .003/.015 [0.076/381]			
CORNER FILLETS: .02 [51]			
MACHINED SURFACES: 125/3.2			
mm SHOWN IN [BRACKETS]			

DRAWN BY CHRIS FISHER	DATE 11/20/2014
APPROVED BY	DATE
REFERENCE 028770	THIRD ANGLE PROJECTION

Regal Beloit America, Inc.	
DESCRIPTION	OUTLINE
MATERIAL	PROCESS/FINISH
SIZE B	DRAWING NUMBER 029048
SHEET 1 OF 1	