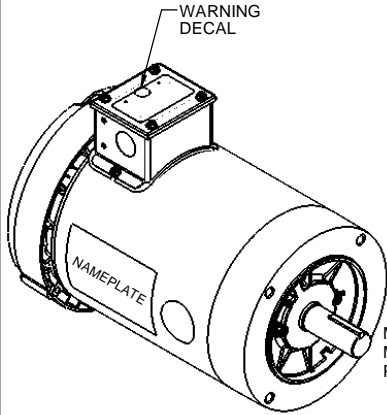
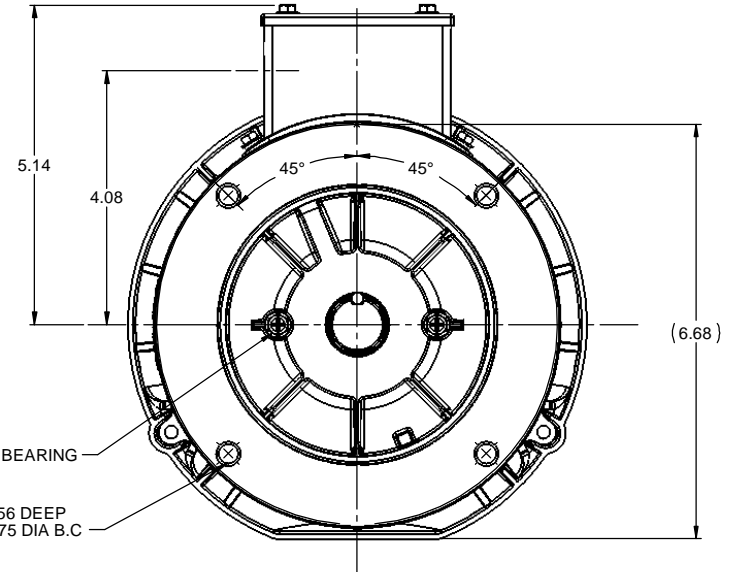
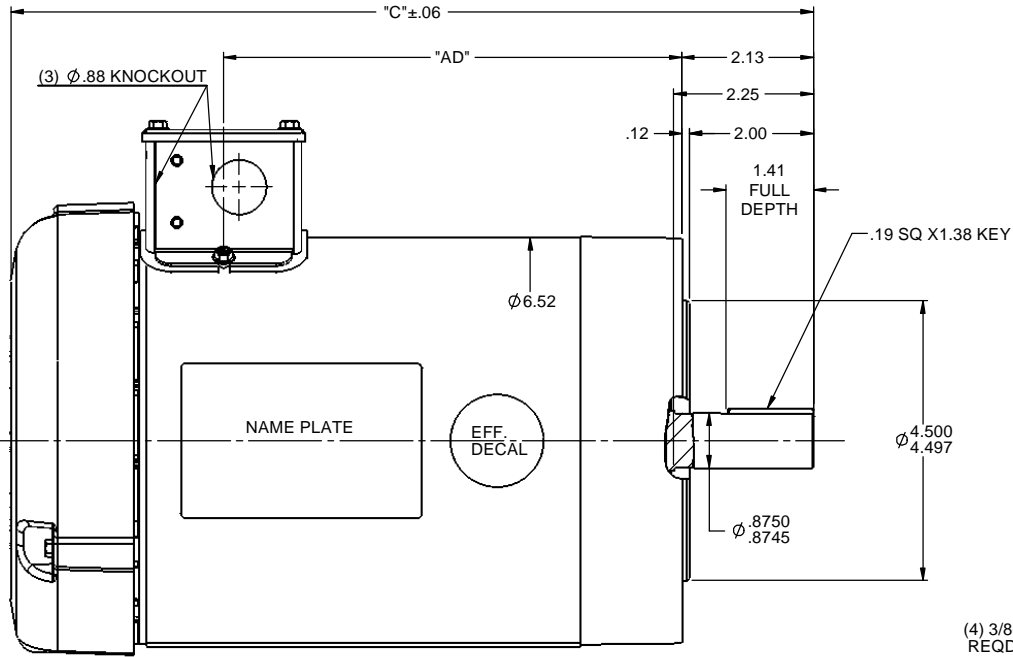


RBC PROPRIETARY AND CONFIDENTIAL INFORMATION
 This document is the property of REGAL BELOIT CORPORATION ("RBC") including its subsidiaries and divisions and contains proprietary information of RBC. This document is loaned on the express condition that neither it nor the information contained therein shall be disclosed to others without the express written consent of RBC, and that the information shall be used by the recipient only as approved expressly by RBC. This document shall be returned to RBC upon its request. This document may be subject to certain restrictions under U.S. export control laws and regulations.



MAXIMUM FACE RUNOUT TO BE .004 T.I.R
 MAXIMUM PILOT ECCENTRICITY .004 T.I.R
 PERMISSIBLE SHAFT RUNOUT .002 T.I.R

DASH NO.	"C"	"AD"
600	11.92	6.38
650	12.42	6.88
700	12.92	7.38
750	13.42	7.88
800	13.92	8.38
850	14.42	8.88
900	14.92	9.38

NOTE:
 1) GASKETS THROUGHOUT

TOLERANCES UNLESS SPECIFIED		LEESON	ELECTRIC MOTORS GEARMOTORS AND DRIVES	DRAWN JD 11/16/2011
DEC	INCHES			
X	±.1			APPR
XX	±.03	TITLE	OUTLINE - 140TC FRAME	SCALE 1:2
XXX	±.005		TEFC - "C" FACE	REF 607-0030
XXXX	±.0005	MATL	GENERAL PURPOSE	FMF 121985.00
NO	REVISION	BY & DATE	CHK LANG ±1/2"	FINISH
THIRD ANGLE PROJECTION		RFP	PREV	SIZE B
		NETWORK FILE NAME	607-0031	DRAWING NO 607-0031
				REV