

PRODUCT INFORMATION PACKET



Model No: 122235.00
Catalog No: 122235.00
1.50 HP Unit Handling Motor, 3 phase, 1800 RPM, 230/460 V, 145TC Frame, TEFC
Unit Handling Motors



Regal and Leeson are trademarks of Regal Beloit Corporation or one of its affiliated companies.
©2019 Regal Beloit Corporation, All Rights Reserved. MC017097E





Nameplate Specifications

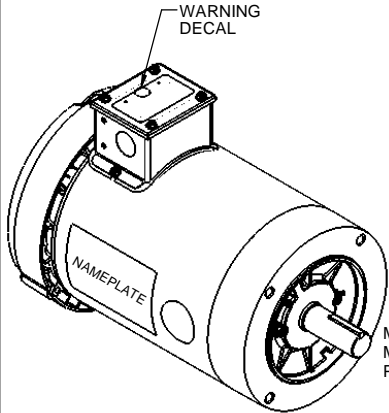
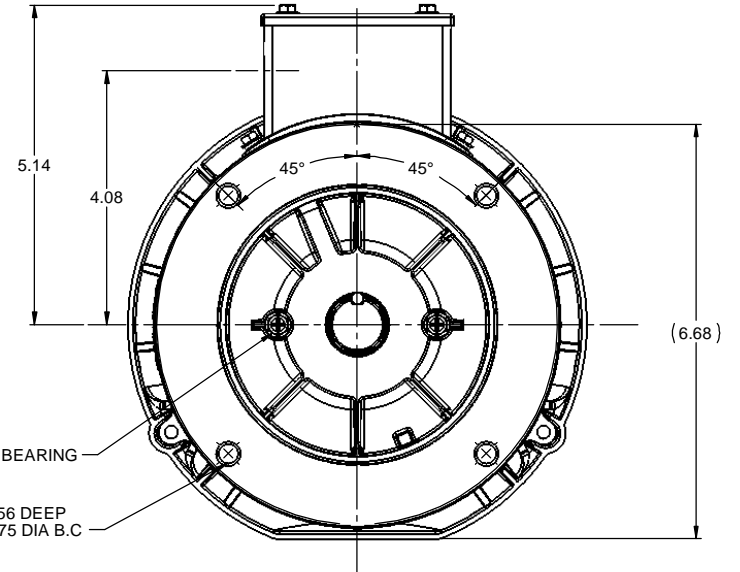
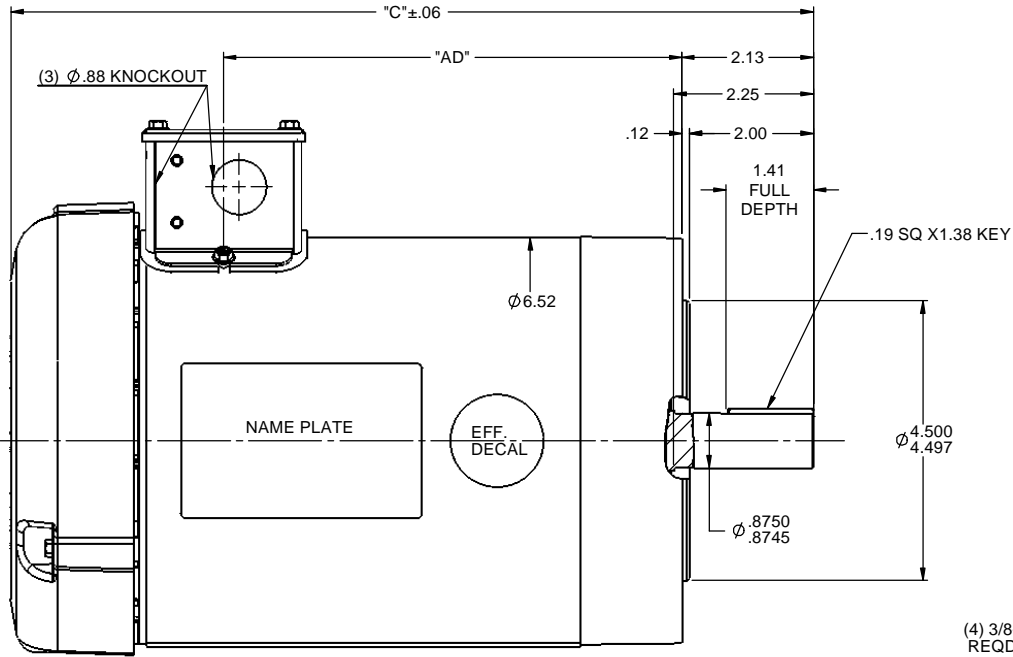
Output HP	1.50 Hp	Output KW	1.1 kW
Frequency	60 Hz	Voltage	230/460 V
Current	4.8/2.4 A	Speed	1750 rpm
Service Factor	1.15	Phase	3
Efficiency	86.5 %	Power Factor	67.7
Duty	Continuous	Insulation Class	F
Design Code	B	KVA Code	L
Frame	145TC	Enclosure	Totally Enclosed Fan Cooled
Thermal Protection	No	Ambient Temperature	40 °C
Drive End Bearing Size	6205	Opp Drive End Bearing Size	6203
UL	Recognized	CSA	Y
CE	Y	IP Code	43

Technical Specifications

Electrical Type	Squirrel Cage Induction Run	Starting Method	Across The Line
Poles	4	Rotation	Reversible
Resistance Main	9.12 Ohms	Mounting	Round
Motor Orientation	Horizontal	Drive End Bearing	Ball
Opp Drive End Bearing	Ball	Frame Material	Rolled Steel
Shaft Type	T	Overall Length	13.42 in
Frame Length	7.50 in	Shaft Diameter	0.875 in
Shaft Extension	2.25 in	Assembly/Box Mounting	F3

This is an uncontrolled document once printed or downloaded and is subject to change without notice. Date Created:01/11/2019

RBC PROPRIETARY AND CONFIDENTIAL INFORMATION
 This document is the property of REGAL BELOIT CORPORATION (RBC) including its subsidiaries and divisions and contains proprietary information of RBC. This document is loaned on the express condition that neither it nor the information contained therein shall be disclosed to others without the express written consent of RBC, and that the information shall be used by the recipient only as approved expressly by RBC. This document shall be returned to RBC upon its request. This document may be subject to certain restrictions under U.S. export control laws and regulations.



MAXIMUM FACE RUNOUT TO BE .004 T.I.R
 MAXIMUM PILOT ECCENTRICITY .004 T.I.R
 PERMISSIBLE SHAFT RUNOUT .002 T.I.R

DASH NO.	"C"	"AD"
600	11.92	6.38
650	12.42	6.88
700	12.92	7.38
750	13.42	7.88
800	13.92	8.38
850	14.42	8.88
900	14.92	9.38

NOTE:
 1) GASKETS THROUGHOUT

TOLERANCES UNLESS SPECIFIED		LEESON	ELECTRIC MOTORS GEARMOTORS AND DRIVES	DRAWN	JD 11/16/2011
DEC	INCHES			CHK	VS 11/16/2011
X	±.1			APPR	
XX	±.03	TITLE	OUTLINE - 140TC FRAME	SCALE	1:2
XXX	±.005		TEFC - "C" FACE	REF	607-0030
XXXX	±.0005	MATL	GENERAL PURPOSE	FMF	121985.00
NO	REVISION	BY & DATE	CHK LANG ±1/2"	FINISH	PAGE OF
THIRD ANGLE PROJECTION			RFP	PREV	SIZE
NETWORK FILE NAME 607-0031			DRAWING NO		REV
			B		607-0031