

PRODUCT INFORMATION PACKET



Model No: C143T17FC42A

Catalog No: 122251.00

122251.00..1HP..1760RPM.143TC.TEFC.230/460V.3PH.60HZ.CONT.40C.1.15SF.ROUND.C145T17FC42.....
BRAKEMOTOR.T-STATS.....

Brake



Regal and Leeson are trademarks of Regal Beloit Corporation or one of its affiliated companies.

©2018 Regal Beloit Corporation, All Rights Reserved. MC017097E





Nameplate Specifications

Output HP	1 Hp	Output KW	0.75 kW
Frequency	60 Hz	Voltage	208-230/460 V
Current	3.2-3.2/1.6 A	Speed	1760 rpm
Service Factor	1.15	Phase	3
Efficiency	85.5 %	Duty	Continuous
Insulation Class	F	Design Code	B
KVA Code	N	Frame	143TC
Enclosure	Totally Enclosed Fan Cooled	Overload Protector	No
Ambient Temperature	40 °C	Drive End Bearing Size	6205
Opp Drive End Bearing Size	6203	UL	Recognized
CSA	Y	CE	N
IP Code	43		

Technical Specifications

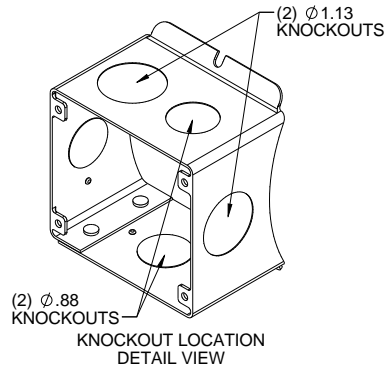
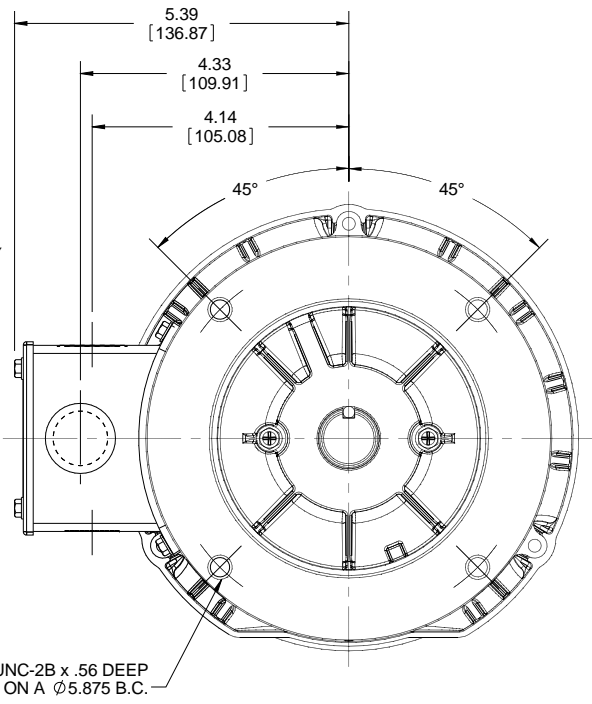
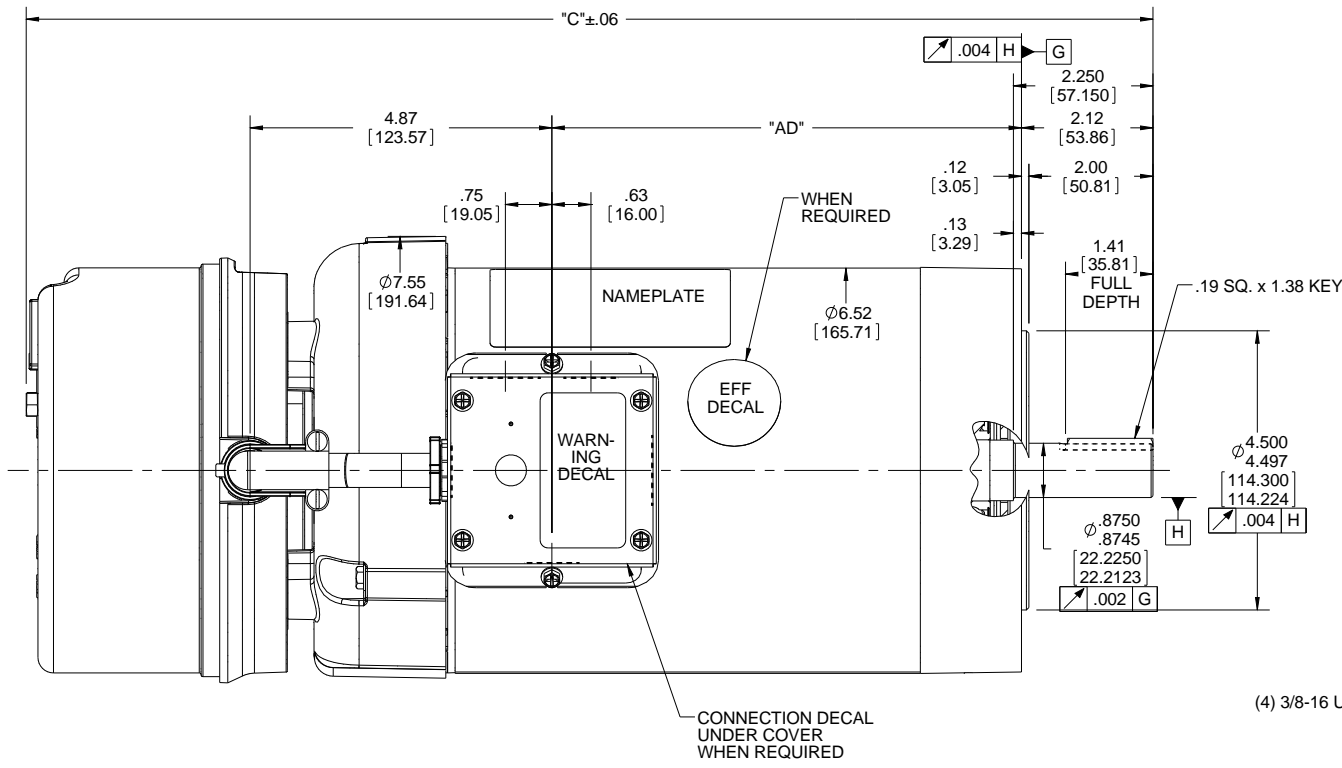
Electrical Type	Squirrel Cage Induction Run	Starting Method	Across The Line
Poles	4	Rotation	Reversible
Mounting	Round	Motor Orientation	HORIZONTAL
Drive End Bearing	BALL	Opp Drive End Bearing	BALL
Frame Material	Rolled Steel	Shaft Type	T
Overall Length	17.73 in	Frame Length	7.00 in
Shaft Diameter	0.875 in	Shaft Extension	2.25 in
Assembly/Box Mounting	F1 ONLY		
Outline Drawing	028790-700	Connection Diagram	005010.28

4

3

2

1



DASH NO.	"C"	"AD"
600	16.73	6.07
650	17.23	6.57
700	17.73	7.07
750	18.23	7.57
800	18.73	8.07

NOTE:
1) GASKETS THROUGHOUT

DRAWING REVISION D	REVISION BY SL	DATE 04/02/2016	TOLERANCES UNLESS OTHERWISE SPECIFIED: DEC. INCH. mm ANGLE XX ±0.1 [±2.5] ±7-30° .XX ±0.03 [±0.76] .XXX ±0.005 [±0.127] .XXXX ±0.0005 [±0.0127]	DRAWN BY JKJ 09/05/07	Regal Beloit America, Inc.	
ECO ECO-0098869	APPROVED BY LK	DATE 04/02/2016	REMOVE BURRS & BREAK SHARP EDGES: .003/.015 [0.076/.381] X 45° CORNER FILLETS: R.02 [51] MACHINED SURFACES: 200 INCH 5.1 mm SHOWN IN [BRACKETS]	DATE		
ECO DESCRIPTION ADDED WHEN REQUIRED NOTE ON DECAL COPYRIGHT REGAL BELOIT AMERICA, INC. ALL RIGHTS RESERVED. PROPRIETARY AND CONFIDENTIAL INFORMATION - THIS DOCUMENT IS THE PROPERTY OF REGAL BELOIT AMERICA, INC. (OWNER) AND CONTAINS OWNER'S PROPRIETARY INFORMATION. ANY PERSON, CORPORATION OR OTHER FIRM RECEIVING IT IS DEEMED, BY RECEIVING IT, TO AGREE THAT IT, AND/OR ANY PART OF IT, SHALL NOT BE DISCLOSED TO ANY PERSON, CORPORATION OR OTHER ENTITY, DUPLICATED, AND/OR USED, EXCEPT AS EXPRESSLY APPROVED IN WRITING IN ADVANCE BY OWNER. THIS DOCUMENT SHALL BE RETURNED TO OWNER UPON REQUEST. IT MAY BE SUBJECT TO CERTAIN RESTRICTIONS UNDER APPLICABLE EXPORT CONTROL LAWS AND REGULATIONS.			REFERENCE	DESCRIPTION OUTLINE TEFC - "C" FACE - BRAKEMOTOR	PROCESS/FINISH	
			THIRD ANGLE PROJECTION	SIZE B	DRAWING NUMBER 028790	SHEET 1 OF 1

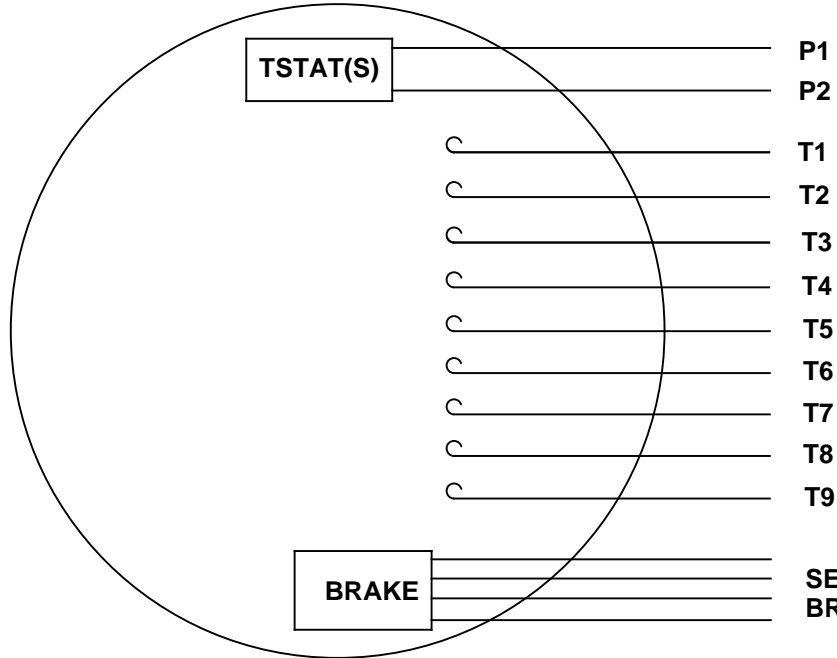
4

3

2

1

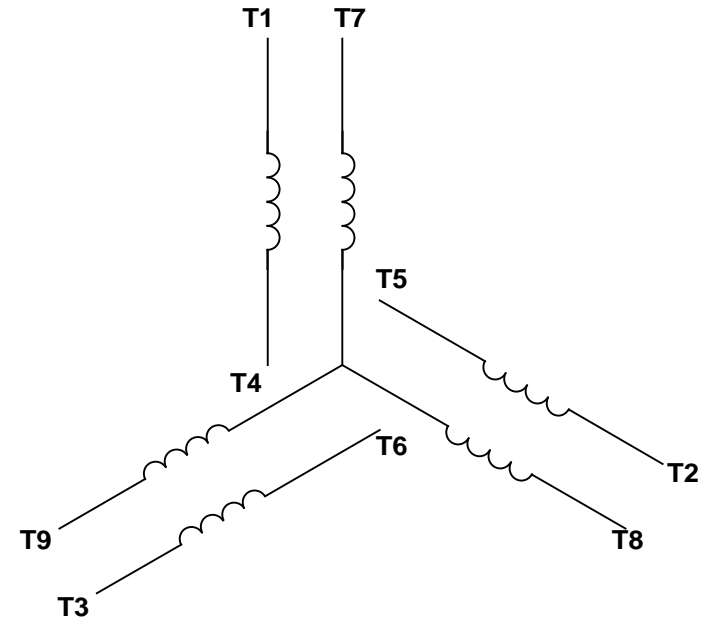
VIEW FROM OUTSIDE OF MOTOR AT SWITCH END.



P1
P2
T1
T2
T3
T4
T5
T6
T7
T8
T9

SEE TABLE FOR
BRAKE CONNECTIONS


LINE LEADS



RBC PROPRIETARY AND CONFIDENTIAL INFORMATION
This document is the property of REGAL BELOIT CORPORATION ("RBC") including its subsidiaries and divisions and contains proprietary information of RBC. This document is loaned on the express condition that neither it nor the information contained therein shall be disclosed to others without the express written consent of RBC, and that the information shall be used by the recipient only as approved expressly by RBC. This document shall be returned to RBC upon its request. This document may be subject to certain restrictions under U.S. export control laws and regulations.

BRAKE CONNECTION						
VOLTAGE	STERNS BRAKE			DINGS BRAKE		
	L1	L2	Join	L1	L2	Join
HIGH	1(RED)	2(RED)	3(BLACK) 4(BLACK)	2(BLACK)	4(YELLOW)	1(YELLOW) 3(BLACK)
LOW	1(RED) 3(BLACK)	2(RED) 4(BLACK)	-----	2(BLACK) 3(BLACK)	1(YELLOW) 4(YELLOW)	-----

VOLTAGE	L1	L2	L3	JOIN & INSULATE
HIGH	T1	T2	T3	(T4, T7) (T5, T8) (T6, T9)
LOW	T1, T7	T2, T8	T3, T9	T4, T5, T6

				TOLERANCES UNLESS SPECIFIED		 ELECTRIC MOTORS GEARMOTORS AND DRIVES	DRAWN RDW 09/14/99		
				DEC	INCHES		CHK		
				.X	±.1		APPR		
				.XX	±.01		SCALE	1:1	
				.XXX	±.005		REF	005010-15	
--	REDRAWN IN SOLIDWORKS	VJB	02/08/11	.XXXX	±.0005	TITLE EXTERNAL WIRING DIAGRAM 3 PHASE W/O PROTECTOR		FMF	
NO	REVISION	BY & DATE	CHK	ANG	±1/2°	MAT'L DECAL - 004014 DECAL - 080088		PAGE OF	
				RFP	PREV	SIZE	DRAWING NO		
THIRD ANGLE PROJECTION				NETWORK FILE NAME		A	005010-28		
							REV		
							--		



P.O. BOX 8003
WAUSAU, WI 54401-8003
PH. 715-675-3311

DATA VOLTS: 460

CERTIFICATION DATA SHEET

CONN. DIAGRAM: 005010.28
OUTLINE: 028790-700
WINDING: T634342

CAT #: 122251.00

FR 3

TYPICAL MOTOR PERFORMANCE DATA

HP	KW	SYNC RPM	FL RPM	FRAME	ENCLOSURE	TYPE	KVA CODE	DESIGN	
1	0.75	1800	1760	143TC	TEFC	TFR	N	B	
PH	HZ	VOLTS	AMPS	START TYPE	DUTY	INSL	S.F.	AMB	ELEV.
3	60	208-230/460	3.2-3.1/1.55	ACROSS THE LINE	CONT	F	1.15	40	3300
F.L. EFF	85.5	3/4 LD EFF	85.4	1/2 LD EFF	79.6	GTD EFF	0.0	ELECT. TYPE	SO CAGE IND RUN
F.L. PF	68.5	3/4 LD PF	61.5	1/2 LD PF	51.5				
F.L. TORQUE	LR AMPS @ 460 V	L.R. TORQUE	12.0 LB-FT	400%	15.8 LB-FT	B.D. TORQUE	527%	F.L. RISE (°C)	38
3.0 LB-FT		14.0							
PRESSURE @ 3	POWER	ROTOR WK²	MAX. LOAD WK²	SAFE STALL TIME	STARTS/HOUR	MOTOR WGT			
65 DBA	74 DBA	0.12 LB-FT²	0 LB-FT²	10 SEC.	0	0 LB.			

*** SUPPLEMENTAL INFORMATION ***

DE BRACKET TYPE	ODE BRACKET TYPE	MOUNT TYPE	MOTOR ORIENTATION	SEVERE DUTY	HAZARDOUS LOCATION	DRIIP COVER	SCREENS	PAINT
C-FACE	BRAKE	ROUND	HORIZONTAL	NO	NONE	NO	NONE	N - LEESON WATTS
BEARINGS	GREASE	SHAFT TYPE	SPECIAL DE	SPECIAL ODE	SHAFT	MATERIAL	FRAME MATERIAL	
DE BALL 6205	BALL POLYREX EM 6203	T	NONE	NONE	1144 STRESSPROOF (C-223)	ROLLED STEEL		

THERMOSTATS	PROTECTORS	WDG RTD's	BRG RTD's	THERMISTORS	CONTROL	SPACE HEATERS
TSTATS (N/C)	NOT	NONE	NONE	NONE	FALSE	NA
R1 (ohms/ph)	R2 (ohms/ph)	X1 (ohms/ph)	X2 (ohms/ph)	Xm (ohms/ph)	VIBRATION (in/sec)	FLOAT ODE
0	0	0	0	0	0.150	

* N O T E S *		INVERTER TORQUE: NONE
		INV. HP SPEED RANGE: NONE
		ENCODER: NONE
		NONE
		BRAKE: STEARNS
		56,000
		FT-LB: 6
		NEMA 2
		VOLTAGE: 230/460
		UL: Y-(LEESON UL REC)

DATE: 1/23/2018	HZ:
-----------------	-----

Data Sheet

Date: 1/23/2018

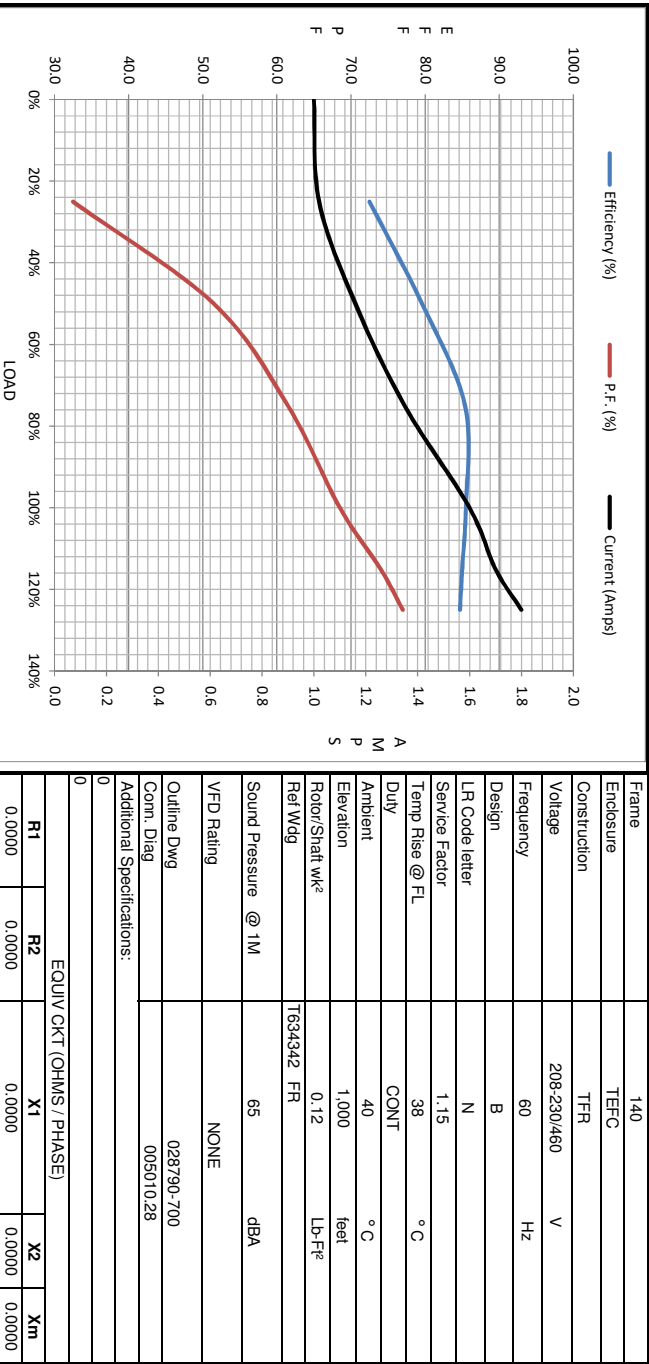
122251.00



Data @ 460 V

Motor Load Data						
Load	0%	25%	50%	75%	100%	LR
Current (Amps)	1.00	1.02	1.16	1.35	1.60	14.0
Torque (ft-lb)	0.00	0.75	1.50	2.25	3.0	12.0
RPM	1800	1789	1779	1769	1760	0
Efficiency (%)		72.5	79.6	85.4	85.5	
P.F. (%)	8.0	32.5	51.5	61.5	68.5	41.0

Motor Speed Data						Information Block																					
LR	Pull-Up	BD	Rated	Idle		HP	Sync. RPM	Frame	Enclosure	Construction	Voltage	Frequency	Design	LR Code letter	Service Factor	Temp Rise @ FL	Duty	Ambient	Elevation	Rotor/Shaft wk ²	Ref Wdg	Sound Pressure @ 1M	VFD Rating	Outline Dwg	Conn. Diag	Additional Specifications:	
0	900	1170	1760	1800		1.0	1800	140	TEFC	TFR	208-230/460	60	B	N	1.15	38	CONT	40 °C	1,000	0.12	T634342 FR	65	NONE	028730-700	005010.28		
Current (Amps)	14.0	13.0	9.9	1.60	1.00																						
Torque (ft-lb)	12.0	11.9	15.8	3.0	0.00																						



R1	R2	X1	X2	Xm
0.0000	0.0000	0.0000	0.0000	0.0000

EQUIV CKT (OHMS / PHASE)

