

PRODUCT INFORMATION PACKET



Model No: C145T17FC126A
Catalog No: 122253.00
2HP..1745 RPM.145TC.TEFC.230/460V.3PH.60HZ.CONT.40C.1.15SF.C
FACE.C145T17FC126.....BRAKEMOTOR.....
Brake



Regal and Leeson are trademarks of Regal Beloit Corporation or one of its affiliated companies.
©2018 Regal Beloit Corporation, All Rights Reserved. MC017097E





Nameplate Specifications

Output HP	2 Hp	Output KW	1.5 kW
Frequency	60 Hz	Voltage	208-230/460 V
Current	6.0-5.8/2.9 A	Speed	1745 rpm
Service Factor	1.15	Phase	3
Efficiency	86.5 %	Duty	Continuous
Insulation Class	F	Design Code	B
KVA Code	L	Frame	145TC
Enclosure	Totally Enclosed Fan Cooled	Overload Protector	No
Ambient Temperature	40 °C	Drive End Bearing Size	6205
Opp Drive End Bearing Size	6203	UL	Recognized
CSA	Y	CE	N
IP Code	43		

Technical Specifications

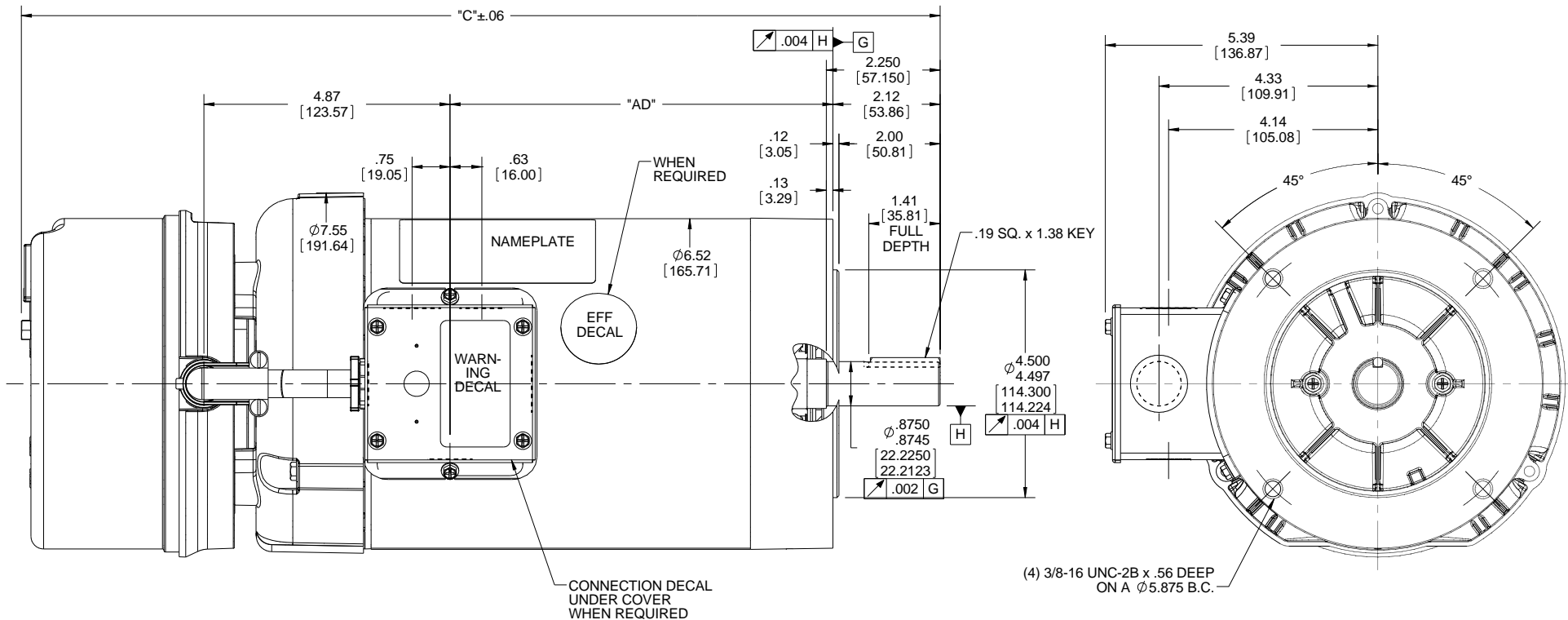
Electrical Type	Squirrel Cage Induction Run	Starting Method	Across The Line
Poles	4	Rotation	Reversible
Mounting	Round	Motor Orientation	HORIZONTAL
Drive End Bearing	BALL	Opp Drive End Bearing	BALL
Frame Material	Rolled Steel	Shaft Type	T
Overall Length	18.73 in	Frame Length	8.00 in
Shaft Diameter	0.875 in	Shaft Extension	2 in
Assembly/Box Mounting	F1 ONLY		
Outline Drawing	028790-800	Connection Diagram	005010.28

4

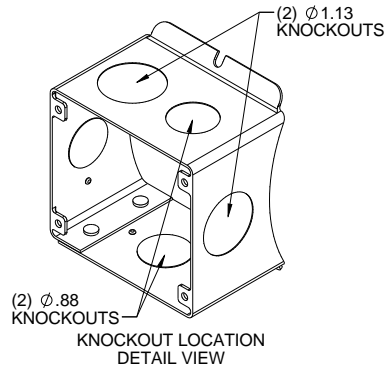
3

2

1



(4) 3/8-16 UNC-2B x .56 DEEP
ON A Ø5.875 B.C.

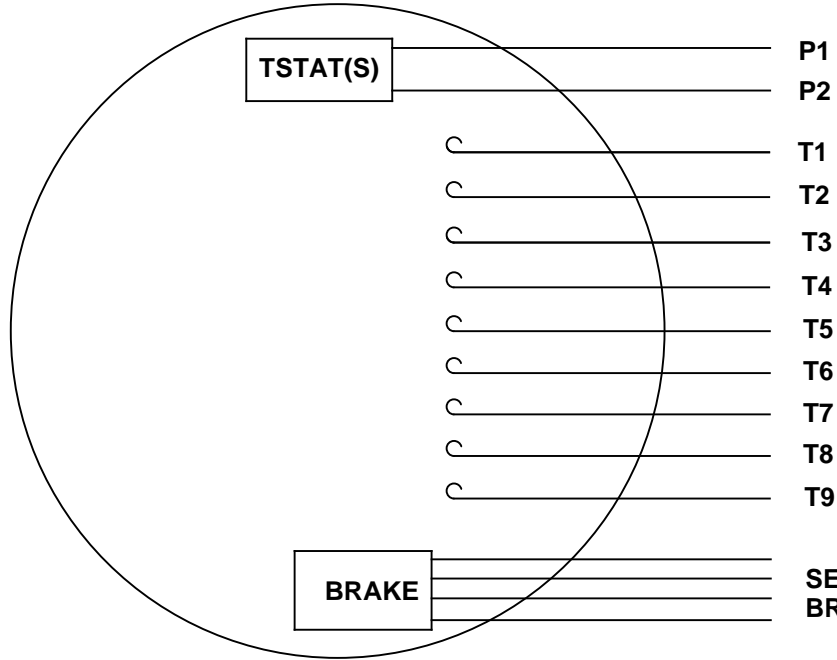


DASH NO.	"C"	"AD"
600	16.73	6.07
650	17.23	6.57
700	17.73	7.07
750	18.23	7.57
800	18.73	8.07

NOTE:
1) GASKETS THROUGHOUT

DRAWING REVISION D	REVISION BY SL	DATE 04/02/2016	TOLERANCES UNLESS OTHERWISE SPECIFIED: DEC. INCH. mm ANGLE .XX ±0.1 [±2.5] ±7-30° .XXX ±0.03 [±0.76] .XXX ±0.005 [±0.127] .XXXX ±0.0005 [±0.0127]	DRAWN BY JKJ 09/05/07	Regal Beloit America, Inc.	
ECO-0098869	APPROVED BY LK	DATE 04/02/2016	REMOVE BURRS & BREAK SHARP EDGES: .003/.015 [0.076/.381] X 45° CORNER FILLETS: R.02 [51] MACHINED SURFACES: 200 INCH/mm 5.1	DATE		
ECO DESCRIPTION ADDED WHEN REQUIRED NOTE ON DECAL COPYRIGHT REGAL BELOIT AMERICA, INC. ALL RIGHTS RESERVED. PROPRIETARY AND CONFIDENTIAL INFORMATION - THIS DOCUMENT IS THE PROPERTY OF REGAL BELOIT AMERICA, INC. ("OWNER") AND CONTAINS OWNER'S PROPRIETARY INFORMATION. ANY PERSON, CORPORATION OR OTHER FIRM RECEIVING IT IS DEEMED, BY RECEIVING IT, TO AGREE THAT IT, AND/OR ANY PART OF IT, SHALL NOT BE DISCLOSED TO ANY PERSON, CORPORATION OR OTHER ENTITY, DUPLICATED, AND/OR USED, EXCEPT AS EXPRESSLY APPROVED IN WRITING IN ADVANCE BY OWNER. THIS DOCUMENT SHALL BE RETURNED TO OWNER UPON REQUEST. IT MAY BE SUBJECT TO CERTAIN RESTRICTIONS UNDER APPLICABLE EXPORT CONTROL LAWS AND REGULATIONS.			REFERENCE	DESCRIPTION OUTLINE TEFC - "C" FACE - BRAKEMOTOR	PROCESS/FINISH	
			THIRD ANGLE PROJECTION	SIZE B	DRAWING NUMBER 028790	SHEET 1 OF 1

VIEW FROM OUTSIDE OF MOTOR AT SWITCH END.

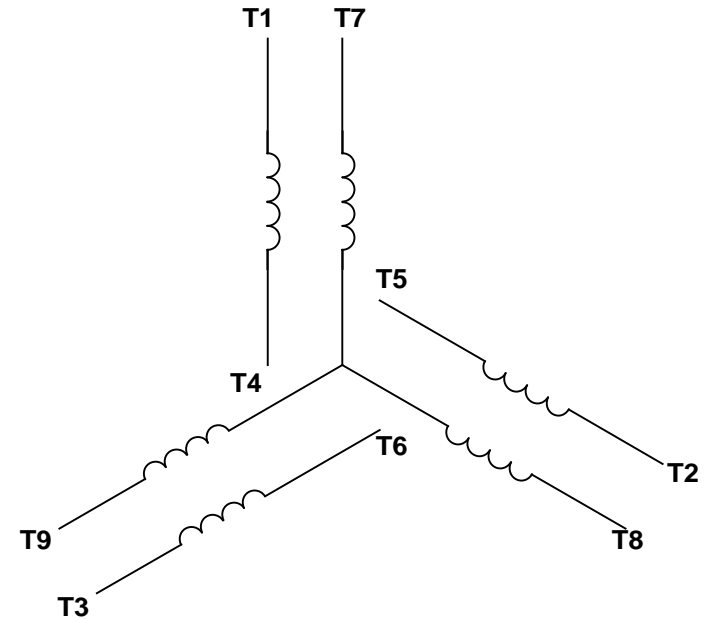


P1
P2
T1
T2
T3
T4
T5
T6
T7
T8
T9

BRAKE

**SEE TABLE FOR
BRAKE CONNECTIONS**


LINE LEADS



RBC PROPRIETARY AND CONFIDENTIAL INFORMATION
This document is the property of REGAL BELOIT CORPORATION ("RBC") including its subsidiaries and divisions and contains proprietary information of RBC. This document is loaned on the express condition that neither it nor the information contained therein shall be disclosed to others without the express written consent of RBC, and that the information shall be used by the recipient only as approved expressly by RBC. This document shall be returned to RBC upon its request. This document may be subject to certain restrictions under U.S. export control laws and regulations.

BRAKE CONNECTION						
VOLTAGE	STERNS BRAKE			DINGS BRAKE		
	L1	L2	Join	L1	L2	Join
HIGH	1(RED)	2(RED)	3(BLACK) 4(BLACK)	2(BLACK)	4(YELLOW)	1(YELLOW) 3(BLACK)
LOW	1(RED) 3(BLACK)	2(RED) 4(BLACK)	-----	2(BLACK) 3(BLACK)	1(YELLOW) 4(YELLOW)	-----

VOLTAGE	L1	L2	L3	JOIN & INSULATE
HIGH	T1	T2	T3	(T4, T7) (T5, T8) (T6, T9)
LOW	T1, T7	T2, T8	T3, T9	T4, T5, T6

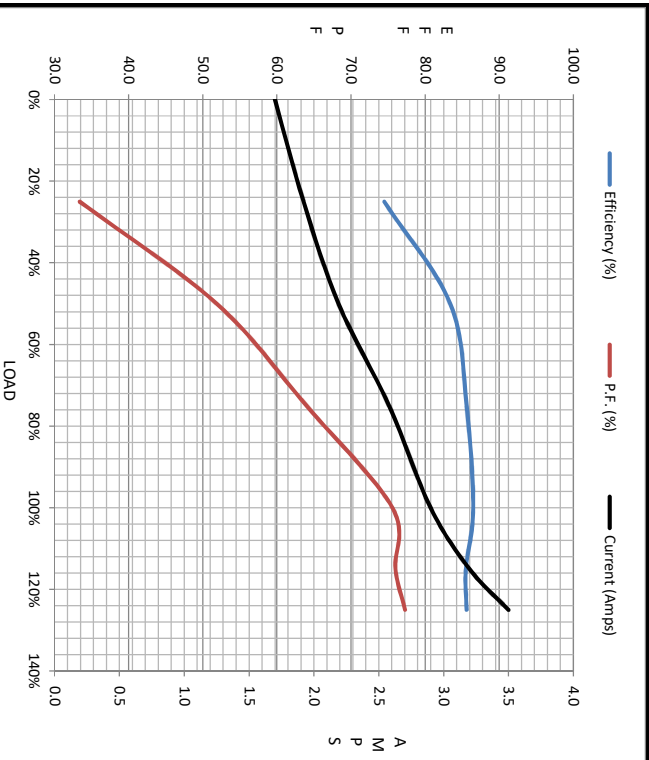
				TOLERANCES UNLESS SPECIFIED		 ELECTRIC MOTORS GEARMOTORS AND DRIVES	DRAWN RDW 09/14/99		
				DEC	INCHES		CHK		
				.X	±.1		APPR		
				.XX	±.01		SCALE	1:1	
				.XXX	±.005		REF	005010-15	
--	REDRAWN IN SOLIDWORKS	VJB 02/08/11		.XXXX	±.0005	TITLE EXTERNAL WIRING DIAGRAM 3 PHASE W/O PROTECTOR		FMF	
NO	REVISION	BY & DATE	CHK	ANG	±1/2°	MAT'L DECAL - 004014 DECAL - 080088		PAGE OF	
THIRD ANGLE PROJECTION			RFP	PREV	SIZE	DRAWING NO		REV	
			NETWORK FILE NAME 00501028			A	005010-28		--



		Motor Load Data							
Load		0%	25%	50%	75%	100%	115%	125%	LR
Current (Amps)		1.70	1.92	2.19	2.58	2.90	3.2	3.5	26.5
Torque (ft-lb)		0.00	1.50	3.0	4.5	6.0	6.5	7.5	18.8
HPM		1800	1787	1774	1763	1751	1.730	1732	0
Efficiency (%)			74.5	83.4	85.6	86.5	85.5	85.6	
P.F. (%)		7.1	33.4	51.9	64.0	75.6	76.0	77.3	42.0

Motor Speed Data

	LR	Pull-Up	BD	Rated	Idle	Information Block				
Speed (RPM)	0	775	1085	1751	1800	HP	2.0			
Current (Amps)	26.5	24.4	14.2	2.90	1.70	Sync. RPM	1800			
Torque (ft-lb)	18.8	15.0	24.6	6.0	0.00	Frame	140			
						Enclosure	TEFC			
						Construction	TFR			
						Voltage	208-230/460	V		
						Frequency	60	Hz		
						Design	A			
						LR Code letter	L			
						Service Factor	1.15			
						Temp Rise @ FL	53	°C		
						Duty	CONT			
						Ambient	40	°C		
						Elevation	1,000	feet		
						Rotor/Shaft wk ²	0.16	Lb-Ft ²		
						Ref Wdg	T634340 FR			
						Sound Pressure @ 1M	65	dB(A)		
						VFD Rating	NONE			
						Outline Dwg	028790-800			
						Conn. Diag	005010.28			
						Additional Specifications:				
						0				
						EQUIV CKT (OHMS / PHASE)				
						R1	R2	X1	X2	Xm
						0.0000	0.0000	0.0000	0.0000	0.0000



	R1	R2	X1	X2	Xm
0.0000	0.0000	0.0000	0.0000	0.0000	0.0000

