

# PRODUCT INFORMATION PACKET

Model No: 056B11D11003  
Catalog No: C1252A  
1/3,1140,DP,56,1/60/115/230  
Open Drip Proof (ODP)



Regal and Marathon are trademarks of Regal Beloit Corporation or one of its affiliated companies.  
©2018 Regal Beloit Corporation, All Rights Reserved. MC017097E





### Nameplate Specifications

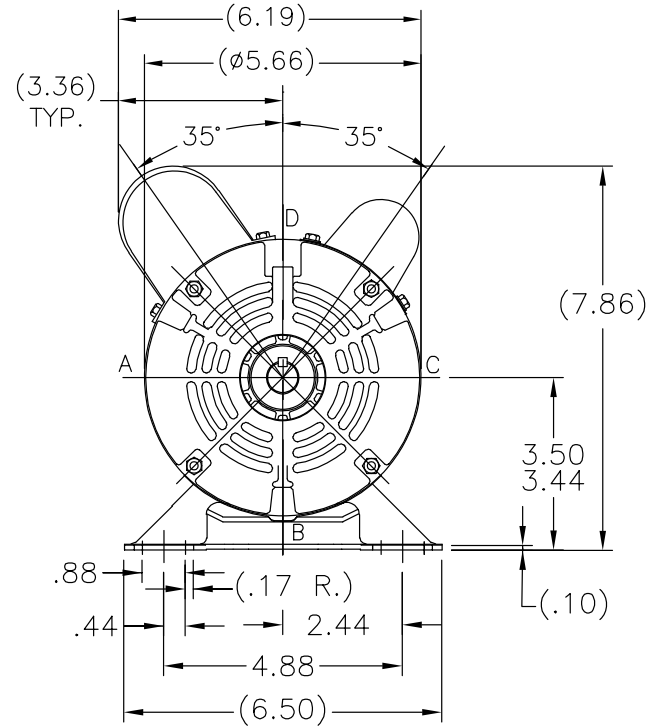
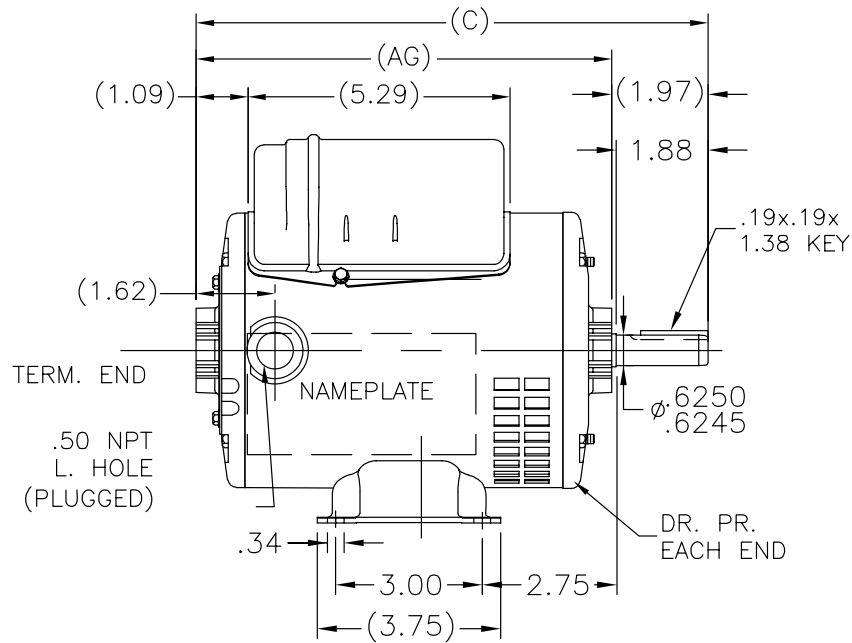
Output HP	<b>0.33 Hp</b>	Output KW	<b>0.25 kW</b>
Frequency	<b>60 Hz</b>	Voltage	<b>115/230 V</b>
Current	<b>3.4/1.7 A</b>	Speed	<b>1140 rpm</b>
Service Factor	<b>1.35</b>	Phase	<b>1</b>
Efficiency	<b>66.6 %</b>	Duty	<b>CONTINUOUS</b>
Insulation Class	<b>B</b>	Design Code	<b>N</b>
KVA Code	<b>H</b>	Frame	<b>56</b>
Enclosure	<b>DP</b>	Overload Protector	<b>NOT</b>
Ambient Temperature	<b>40 °C</b>	Drive End Bearing Size	<b>6203</b>
Opp Drive End Bearing Size	<b>6203</b>	UL	<b>Recognized</b>
CSA	<b>Y</b>	CE	<b>Y</b>
IP Code	<b>22</b>		

### Technical Specifications


Electrical Type	<b>CAP START CAP RUN</b>	Starting Method	<b>ACROSS THE LINE</b>
Poles	<b>6</b>	Rotation	<b>SELECTIVE CCW</b>
Mounting	<b>RIGID</b>	Motor Orientation	<b>HORIZONTAL</b>
Drive End Bearing	<b>BALL</b>	Opp Drive End Bearing	<b>BALL</b>
Frame Material	<b>ROLLED STEEL</b>	Shaft Type	<b>STANDARD 56</b>
Overall Length	<b>11.97 in</b>	Frame Length	<b>8 in</b>
Shaft Diameter	<b>0.63 in</b>	Shaft Extension	<b>1.97 in</b>
Assembly/Box Mounting	<b>F1 ONLY</b>		
Outline Drawing	<b>A-SS404114-800</b>	Connection Diagram	<b>A-EE9002J-REGAL</b>

This is an uncontrolled document once printed or downloaded and is subject to change without notice. Date Created: 04/05/2018

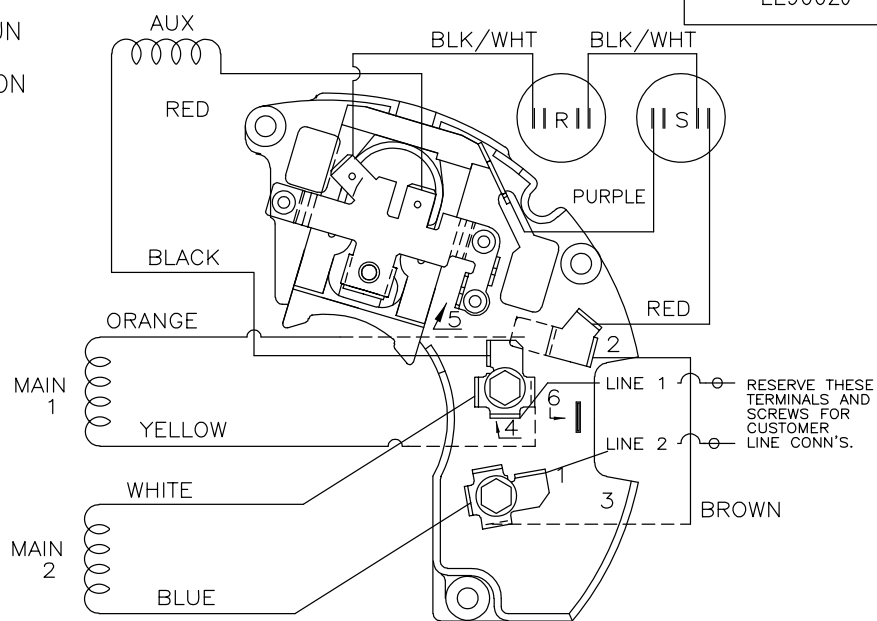
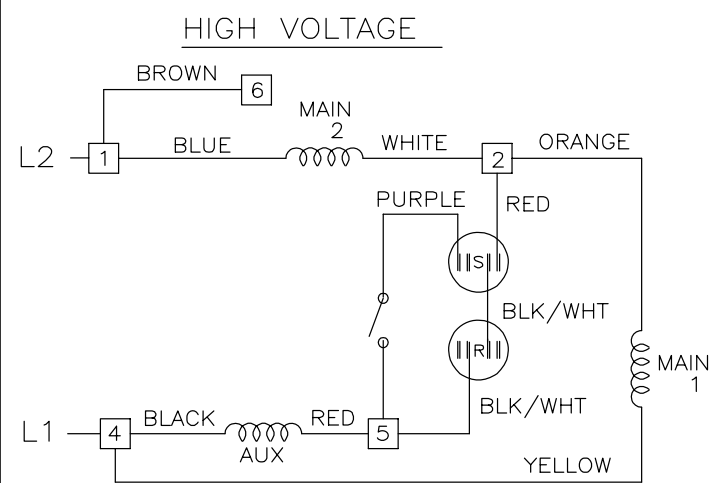
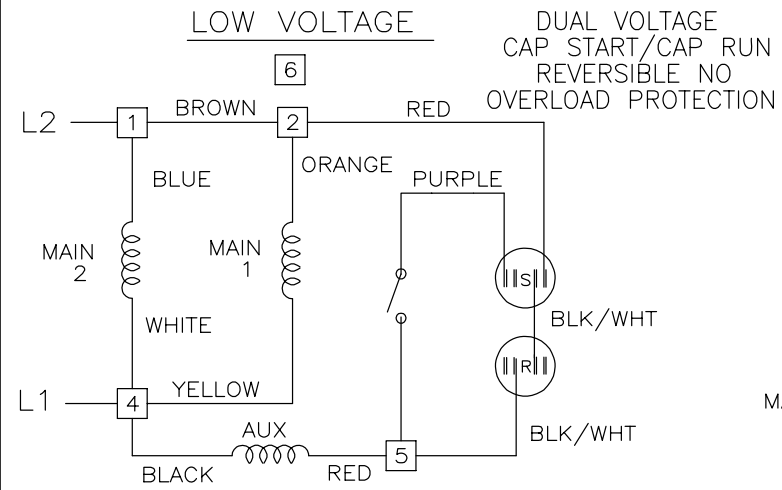
SS404114



DASH	C	AG	DASH	C	AG
625	10.22	8.25	725	11.22	9.25
650	10.47	8.50	750	11.47	9.50
675	10.72	8.75	775	11.72	9.75
700	10.97	9.00	800	11.97	10.00

		TOLERANCES UNLESS SPECIFIED		 Regal Beloit America, Inc.	DRAWN JAH 11/21/2014	
		DEC.	INCHES		CHK	AB 11/21/2014
		.X	±.1		APPD	
		.XX	±.03	TITLE OUTLINE		SCALE 1:1
		.XXX	±.005	48 FRAME		REF SS404113/SS75609
A	CREATED NEW DRAWING	JAH	11/21/2014	AB	.XXXX ±.0005	MAT'L.
NO.	REVISION	BY & DATE	CHK	ANG	±7'30"	FINISH
THIS DRAWING IN DESIGN AND DETAIL IS OUR PROPERTY AND MUST NOT BE USED EXCEPT IN CONNECTION WITH OUR WORK ALL RIGHTS OF DESIGN AND INVENTION ARE RESERVED THIS IS AN ELECTRONICALLY GENERATED DOCUMENT - DO NOT SCALE THIS PRINT				RFP	CAD FILE SS404114	SIZE
				DIST	WP	DRAWING NO. PAGE 1 OF 1 REV.
						A SS404114 A

EE9002J



VIEWING TERM END

LOW VOLTAGE CCW ROTATION SHOWN.

FOR HIGH VOLTAGE  
CONNECT BROWN TERM 2 TO TERM 6.  
CONNECT WHITE TERM 4 TO TERM 2.

TO REVERSE ROTATION EITHER  
VOLTAGE INTERCHANGE RED  
LEAD WITH BLACK LEAD.

DASH LINES INDICATE LEADS CONNECTED  
TO MOTOR SIDE OF SWITCH.

		TOLERANCES UNLESS SPECIFIED			DRAWN SVL 6/17/2013
		DEC.	INCHES		CHK
		.X	± -		APPD
		.XX	± -		SCALE NTS
				TITLE CONNECTION DIAGRAM	REF EE9002J
				48 FR. - DUAL VOLTAGE REVERSIBLE	FMF PR132489
2	TEMPLATE LOGO CHNAGED FROM MARATHON TO DAYTON	KR 05/16/2014	VS .XXXX ± -	MAT'L.	PREV
NO.	REVISION	BY & DATE	CHK ANG ± -	FINISH	
THIS DRAWING IN DESIGN AND DETAIL IS OUR PROPERTY AND MUST NOT BE USED EXCEPT IN CONNECTION WITH OUR WORK ALL RIGHTS OF DESIGN AND INVENTION ARE RESERVED THIS IS AN ELECTRONICALLY GENERATED DOCUMENT - DO NOT SCALE THIS PRINT				RFP	CAD FILE ee9002j
				DIST	SIZE A
				DRAWING NO. EE9002J	PAGE 1 OF 2
					REV. 02

CERTIFICATION DATA SHEET

Model#: 56B11D11003 A WINDING#: BE48612 R1 3  
 CONN. DIAGRAM: A-EE9002J-REGAL ASSEMBLY: F1 ONLY  
 OUTLINE: A-SS404114-800

TYPICAL MOTOR PERFORMANCE DATA

HP	KW	SYNC. RPM	F.L. RPM	FRAME	ENCLOSURE	KVA CODE	DESIGN
1/3	0.25	1200	1140	56	DP	H	N

PH	Hz	VOLTS	FL AMPS	START TYPE	DUTY	INSL	S.F	AMB°C	ELEVATION
1	60	115/230	3.4/1.7	ACROSS THE LINE	CONTINUOUS	B3	1.35	40	3300

FULL LOAD EFF: 66.6	3/4 LOAD EFF: 65.1	1/2 LOAD EFF: 56.6	GTD. EFF	ELEC. TYPE	NO LOAD AMPS
FULL LOAD PF: 94.3	3/4 LOAD PF: 92.9	1/2 LOAD PF: 90.1	0	CAP START CAP RUN	1.3 / .7

F.L. TORQUE	LOCKED ROTOR AMPS	L.R. TORQUE	B.D. TORQUE	F.L. RISE°C
24.3 LB-FT	18.6 / 9.3	66.3 LB-FT 273	48 LB-FT 198	35

SOUND PRESSURE @ 3 FT.	SOUND POWER	ROTOR WK^2	MAX. WK^2	SAFE STALL TIME	STARTS /HOUR	APPROX. MOTOR WGT
0 dBA	10 dBA	0 LB-FT^2	0 LB-FT^2	0 SEC.	0	0 LBS.

\*\*\* SUPPLEMENTAL INFORMATION \*\*\*

DE BRACKET TYPE	ODE BRACKET TYPE	MOUNT TYPE	ORIENTATION	SEVERE DUTY	HAZARDOUS LOCATION	DRIP COVER	SCREENS	PAINT
STANDARD	STANDARD	RIGID	HORIZONTAL	FALSE	NONE	FALSE	NONE	GRAY (POWDER)

BEARINGS		GREASE	SHAFT TYPE	SPECIAL DE	SPECIAL ODE	SHAFT MATERIAL	FRAME MATERIAL
DE	OPE						
BALL	BALL	MULTEMP SRL	STANDARD 56	NONE	NONE	1144 STRESSPROOF (C-223)	ROLLED STEEL
6203	6203						

THERMO-PROTECTORS				THERMISTORS	CONTROL	SPACE /n HEATERS
THERMOSTATS	PROTECTORS	WDG RTDs	BRG RTDs			
NONE	NOT	NONE	NONE	NONE	FALSE	NONE VOLTS

If Inverter equals NONE, contact factory for further information

\*  
N  
O  
T  
E  
S  
\*

INVERTER TORQUE: NONE
INV. HP SPEED RANGE: NONE
ENCODER: NONE
NONE NONE
NONE NONE PPR
BRAKE: NONE NONE
NONE P/N NONE
NONE NONE
NONE FT-LB NONE V NONE Hz

DATE: 06/27/2017 04:29:07 AM  
 FORM 3531 REV.3 02/07/99  
 \*\* Subject to change without notice.