



Hammond Power Solutions Inc.

TITLE: 3PH MOTOR STARTING AUTO TRANSFORMER				DES: IKLING
NAMEPLATE INFORMATION				DATE: 00/10/06
NO.	DATE	BY	REVISION	SCALE: NTS

SHEET 1 OF 2

EDB2909B1.5

0.2 jwen 2009/08/12 21:26

THREE PHASE MOTOR STARTING AUTO TRANSFORMER

Hammond Power Solutions Inc.

GUELPH, ONT. BARABOO, WI COMPTON, CA MONTERREY, MX

HP 150 VOLTAGE 240 V

TEMP 220 Hz 60 % TAPS 50-65-80

CLASS

CAT. No. 2909B1.5 NEMA MEDIUM DUTY

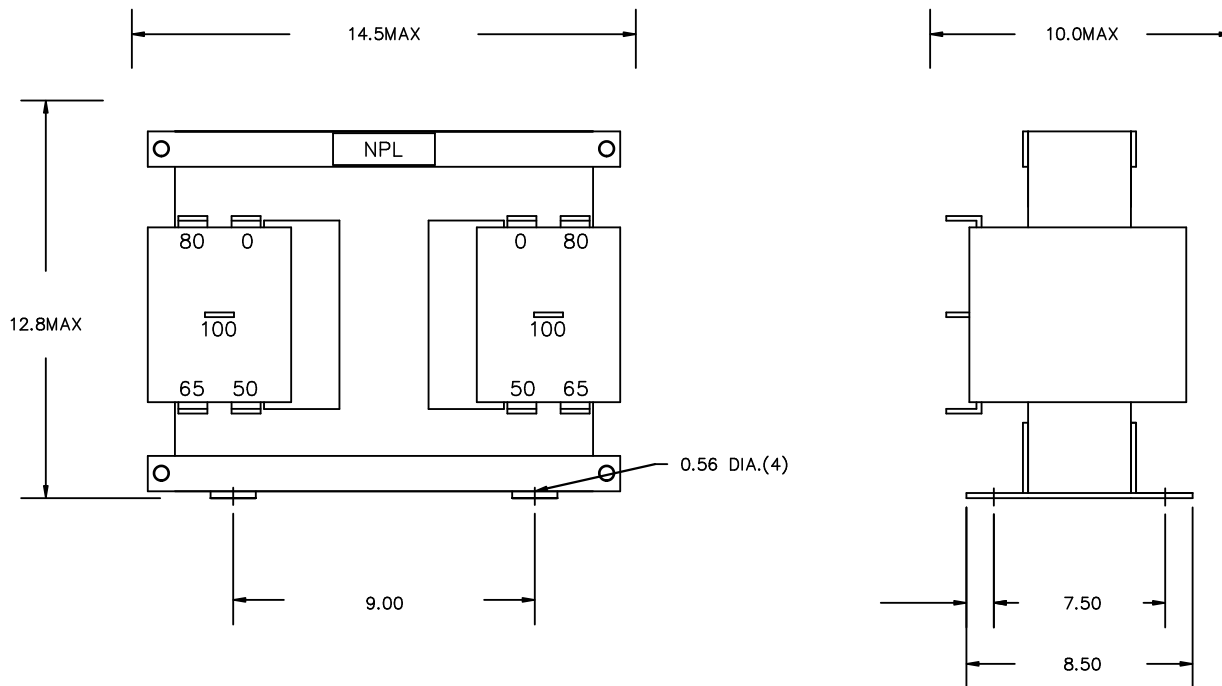
LR3902 E61431 S/N

TYPE J[®]

m0030005

FRONT VIEW

SIDE VIEW



All Dimensions in inches

CUSTOMER NOTES:



**Hammond Power
Solutions Inc.**

TITLE: 3PH MOTOR STARTING AUTO TRANSFORMER

				DES: IKLING
				DATE: 00/10/06
NO.	DATE	BY	REVISION	SCALE: NTS

SHEET 2 OF 2

EDB2909B1.5

0.2 jwen 2009/08/12 21:26