



Hammond Power Solutions Inc.

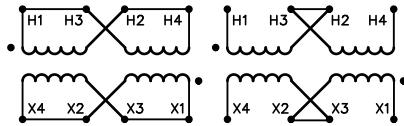


GENERAL PURPOSE TRANSFORMER 252L E50394

GUELPH, ONT. BARABOO, WI COMPTON, CA MONTERREY, MX

HPS FORTRESS™
COMMERCIAL POTTED DISTRIBUTION TRANSFORMER

HV/HT	208V X 416V				Cust. Ref. Réf. du client									
BIL	-				Serial No. No. de série									
TERM. BORNES	H1	H3	H2	H4	Part No. No. de pièce	C1F1C0GES								
	<table border="1"> <thead> <tr> <th>VOLTS</th> <th>CURRENT COURANT</th> <th>% RATED VOLTAGE % TENSION NOMINALE</th> <th>CONNECTION EACH PHASE CONNEXION PAR PHASE</th> </tr> </thead> <tbody> <tr> <td></td> <td></td> <td></td> <td></td> </tr> </tbody> </table>				VOLTS	CURRENT COURANT	% RATED VOLTAGE % TENSION NOMINALE	CONNECTION EACH PHASE CONNEXION PAR PHASE					Phase	1
VOLTS	CURRENT COURANT	% RATED VOLTAGE % TENSION NOMINALE	CONNECTION EACH PHASE CONNEXION PAR PHASE											
					kVA	1.0								
					TYPE	Q								
					Cooling Refroidissement	ANC								
					Temp. Class Classe de Temp.	130 °C								
					Frequency Fréquence	60 Hz								
					Impédance % ⊙ °C									
					Encl. Type Type de boîtier	3R								
					Wt Poids	22/10								
LV/BT	120V/240V													
BIL	-													
TERM. BORNES	X4	X2	X3	X1										



ELECTROSTATIC SHIELD

400001344



Hammond Power Solutions Inc.

TITLE: 1 PHASE ENCAPSULATED TRANSFORMER
NAMEPLATE INFORMATION

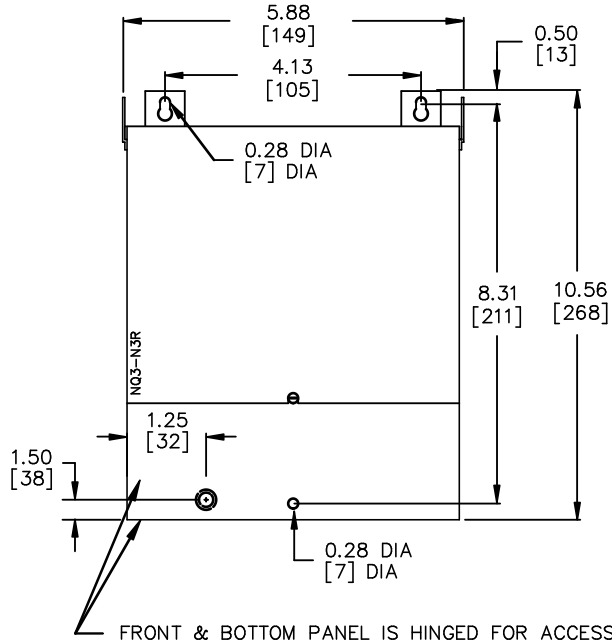
1	21/07/13	PP	EDB UPDATE	DES: LCEN
NO.	DATE	BY	REVISION	SCALE: NTS

SHEET 1 OF 2

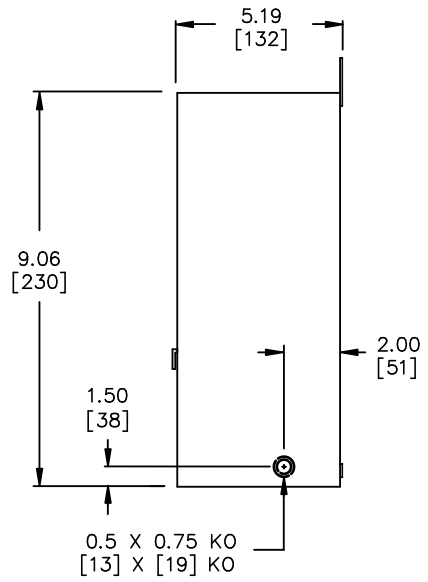
EDBC1F1C0GES

1.0 Wed 11/07/13 16:58

FRONT VIEW



SIDE VIEW



FRONT & BOTTOM PANEL IS HINGED FOR ACCESS TO TERMINALS, BOTTOM MOUNTING HOLES AND REAR KNOCKOUT.

All Dimensions in inches[mm]

ENCLOSURE COLOR : ANSI 61 GREY – OUTDOOR

CUSTOMER NOTES:

- HV1 TERMINATED AT LEADS
- LV1 TERMINATED AT LEADS



TITLE: 1 PHASE ENCAPSULATED TRANSFORMER

1	21/07/13	PP	EDB UPDATE	DES: LCEN
NO.	DATE	BY	REVISION	SCALE: NTS

SHEET 2 OF 2

EDBC1F10GES

1.0 Wed 20/07/13 16:58