



Hammond Power Solutions Inc.



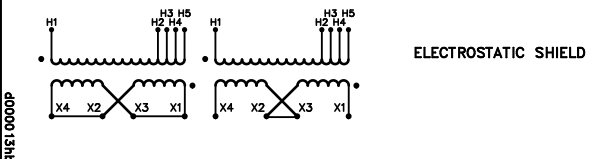
GENERAL PURPOSE TRANSFORMER 252L E50394

GUELPH, ONT. BARABOO, WI COMPTON, CA MONTERREY, MX

HPS FORTRESS™
COMMERCIAL POTTED DISTRIBUTION TRANSFORMER

HV/HT	120/208/240/277V				Cust. Ref.	
BIL	-				Réf. du client	
TERM. BORNES	H1	H2	H3	H4	H5	Serial No. No. de série
						Part No. No. de pièce
						C1F1C5WES
						Phase
						1
						kVA
						1.5
						TYPE
						Q
						Cooling Refroidissement
						ANC
						Temp. Class Classe de Temp.
						180 °C
						Frequency Fréquence
						60 Hz
						Impédance % @ 135 °C
						Encl. Type Type de boîtier
						3R
						Wt Poids lbs/kg
						25/12
LV/BT	120V/240V					
BIL	-					
TERM. BORNES	X4	X2	X3	X1		

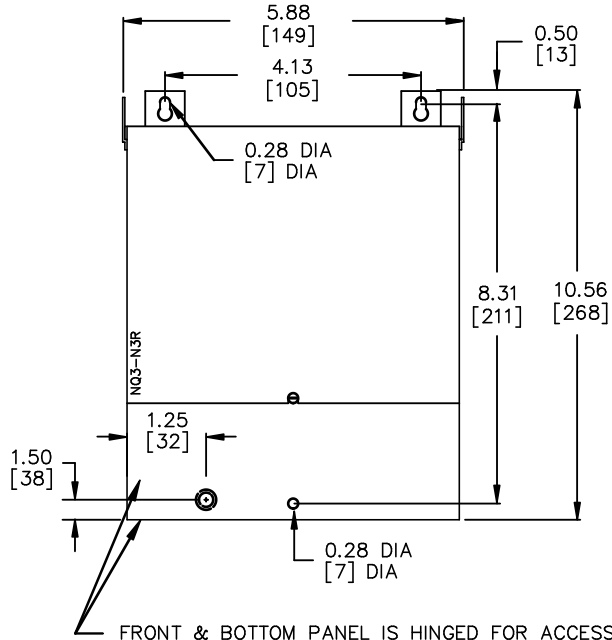
VOLTS	CURRENT COURANT	% RATED VOLTAGE % TENSION NOMINALE	CONNECTION EACH PHASE CONNECTION PAR PHASE
120	12.5		H1 H2
208	7.2		H1 H3
240	6.3		H1 H4
277	5.4		H1 H5



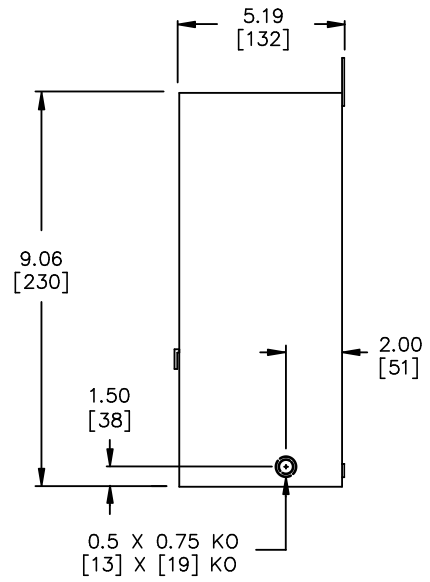
TITLE: 1PH DISTRIBUTION TRANSFORMER NAMEPLATE INFORMATION					
2	21/07/13	PP	EDB UPDATE	DES:	LCEN
1	14/12/05	LC	CHANGED NPL	DATE:	08/11/25
NO.	DATE	BY	REVISION	SCALE:	NTS

SHEET 1 OF 2
EDBC1F1C5WES
2.0 (wen 2020/07/13 16:59)

FRONT VIEW



SIDE VIEW



FRONT & BOTTOM PANEL IS HINGED FOR ACCESS TO TERMINALS, BOTTOM MOUNTING HOLES AND REAR KNOCKOUT.

All Dimensions in inches[mm]

ENCLOSURE COLOR : ANSI 61 GREY – OUTDOOR

CUSTOMER NOTES:

- HV1 TERMINATED AT BOT FRONT SEW LEADS
- LV1 TERMINATED AT BOT FRONT SEW LEADS



TITLE: 1PH DISTRIBUTION TRANSFORMER

2	21/07/13	PP	EDB UPDATE	DES: LCEN
1	14/12/05	LC	CHANGED NPL	DATE: 08/11/25
NO.	DATE	BY	REVISION	SCALE: NTS

SHEET 2 OF 2

EDB01F1C5WES

2.0 Jwen 2021/07/13 16:59