



Hammond
Power Solutions

GUELPH, ONT. BARABOO, WI. COMPTON, CA. MONTERREY, MX



LR 3902



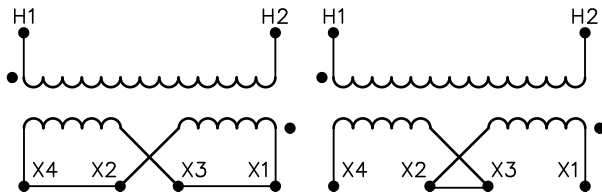
GENERAL
PURPOSE
TRANSFORMER
252L
E50394

LISTED

HPS FORTRESS™
COMMERCIAL POTTED DISTRIBUTION TRANSFORMER

HV/HT	600V
BIL	—
TERM. BORNES	H1 H2
LV/BT	120V/240V
BIL	—
TERM. BORNES	X4 X2 X3 X1

Cust. Ref. Réf. du client	
Serial No. No. de série	
Part No. No. de pièce	C1FC10PE
PHASE	1
kVA	0.10
TYPE	Q
Cooling Refroidissement	ANC
Temp. Class Classe de Temp.	130 °C
Frequency Fréquence	60 Hz
Impédance % @ 12.1 °C	—
Encl. Type Type de boîtier	3R
Wt Poids lbs/kg	8.2/4



d000013hbsm



COMPLIES WITH EN60742(1997-06)

FABRIQUÉ AU CANADA
MADE IN CANADA



Hammond Power
Solutions Inc.

TITLE: 1 PHASE ENCAPSULATED TRANSFORMER
NAMEPLATE INFORMATION

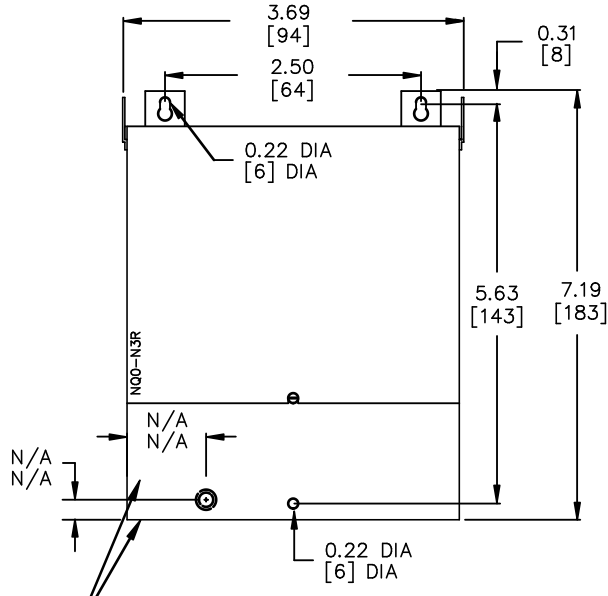
2	21/07/13	PP	EDB UPDATE	DES: LCEN
1	19/11/08	LC	CHANGED NOTES:	DATE: 08/12/16
NO.	DATE	BY	REVISION	SCALE: NTS

SHEET 1 OF 2

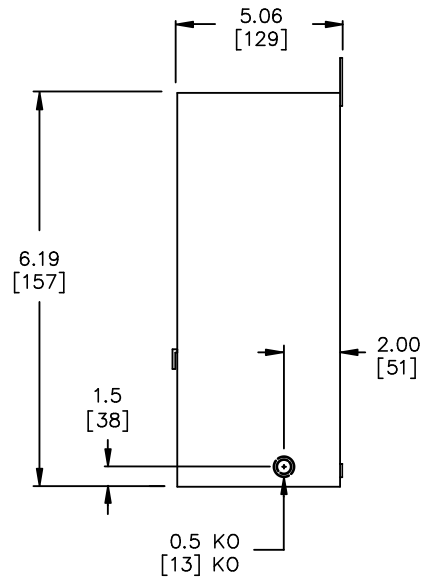
EDBC1FC10PE

2.0 Jwen 2021/07/13 16:59

FRONT VIEW



SIDE VIEW



FRONT & BOTTOM PANEL IS HINGED FOR ACCESS TO TERMINALS, BOTTOM MOUNTING HOLES AND REAR KNOCKOUT.

All Dimensions in inches[mm]

ENCLOSURE COLOR : ANSI 61 GREY – OUTDOOR

CUSTOMER NOTES:

- HV1 TERMINATED AT LEADS
- LV1 TERMINATED AT LEADS
- ..



TITLE: 1 PHASE ENCAPSULATED TRANSFORMER

2	21/07/13	PP	EDB UPDATE	DES: LCEN
1	19/11/08	LC	CHANGED NOTES:	DATE: 08/12/16
NO.	DATE	BY	REVISION	SCALE: NTS

SHEET 2 OF 2

EDB01FC10PE

2.0 Jwen 2021/07/13 16:59