



Hammond
Power Solutions

GUELPH, ONT. BARABOO, WI. COMPTON, CA. MONTERREY, MX



LR 3902



GENERAL
PURPOSE
TRANSFORMER
252L
E50394

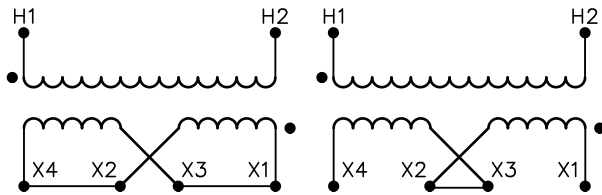
LISTED

HPS FORTRESS™
COMMERCIAL POTTED DISTRIBUTION TRANSFORMER

HV/HT	277V		
BIL	-		
TERM. BORNES	H1	H2	
LV/BT	120V/240V		
BIL	-		
TERM. BORNES	X4	X2	X3 X1

Cust. Ref. Réf. du client	
Serial No. No. de série	
Part No. No. de pièce	C1FC50CE
PHASE	1
kVA	0.50
TYPE	Q
Cooling Refroidissement	ANC
Temp. Class Classe de Temp.	130 °C
Frequency Fréquence	50/60Hz
Impédance % @ _____ °C	-
Encl. Type Type de boîtier	3R
Wt Poids lbs/kg	18.3/9

d000013hbsm



FABRIQUÉ AU CANADA
MADE IN CANADA



Hammond Power
Solutions Inc.

TITLE: 1 PHASE ENCAPSULATED TRANSFORMER
NAMEPLATE INFORMATION

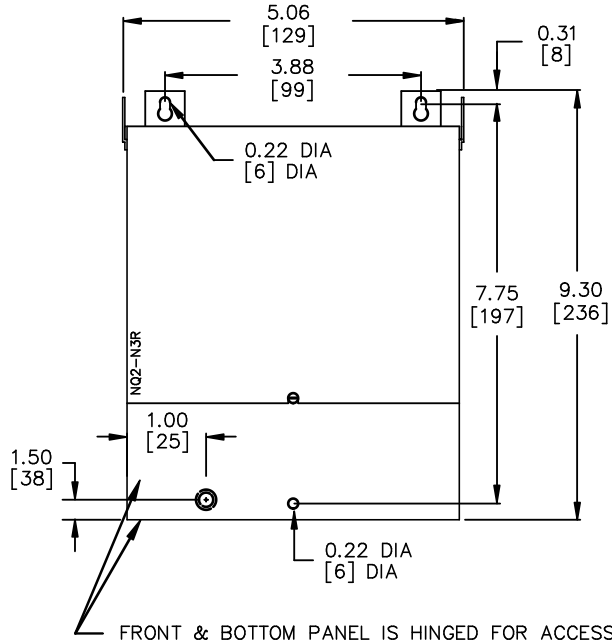
1	21/07/13	PP	EDB UPDATE	DES: LCEN
NO.	DATE	BY	REVISION	SCALE: NTS

SHEET 1 OF 2

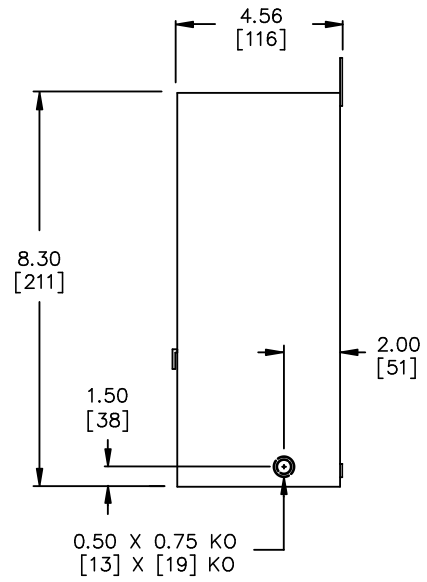
EDB C1FC50CE

1.0 Juin 2021/07/13 17:01

FRONT VIEW



SIDE VIEW



FRONT & BOTTOM PANEL IS HINGED FOR ACCESS TO TERMINALS, BOTTOM MOUNTING HOLES AND REAR KNOCKOUT.

All Dimensions in inches[mm]

ENCLOSURE COLOR : ANSI 61 GREY – OUTDOOR

CUSTOMER NOTES:

- HV1 TERMINATED AT LEADS
- LV1 TERMINATED AT LEADS



TITLE: 1 PHASE ENCAPSULATED TRANSFORMER

1	21/07/13	PP	EDB UPDATE	DES: LCEN
NO.	DATE	BY	REVISION	SCALE: NTS

SHEET 2 OF 2

EDB01FC50CE

1.0 Jun 2021/07/13 17:01