



Hammond
Power Solutions

GUELPH, ONT. BARABOO, WI. COMPTON, CA. MONTERREY, MX



LR 3902



GENERAL
PURPOSE
TRANSFORMER
252L
E50394

LISTED

HPS FORTRESS
COMMERCIAL POTTED DISTRIBUTION TRANSFORMER

HV/HT

190.....480V

BIL

—

TERM.
BORNES

H1.....H10

LV/BT

120V/240V

BIL

—

TERM.
BORNES

X4 X2 X3 X1

Cust. Ref.
Réf. du client

Serial No.
No. de série

Part No.
No. de pièce

PHASE

kVA

TYPE

Cooling
Refroidissement

Temp. Class
Classe de Temp.

Frequency
Fréquence

Impédance %
@ _____ °C

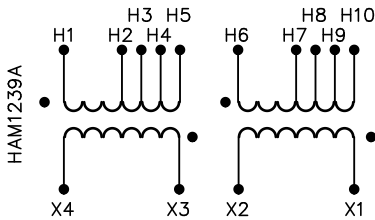
Encl. Type
Type de boîtier

Wt
Poids lbs/kg

COMPLIES WITH EN60076-11 2004-05

COMPLIES WITH EN60742(1997-06)

0000013hbsmce



ELECTROSTATIC SHIELD

FABRIQUÉ AU CANADA
MADE IN



Hammond Power
Solutions Inc.

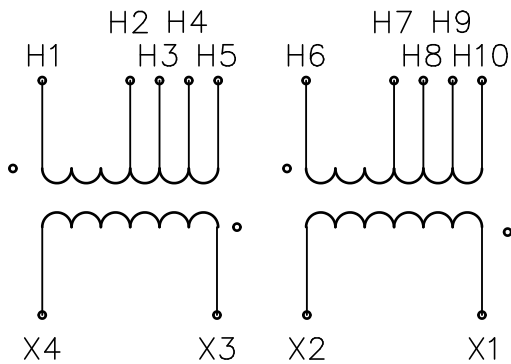
TITLE: 1 PHASE ENCAPSULATED TRANSFORMER
NAMEPLATE INFORMATION

1	21/07/13	PP	EDB UPDATE	DES: LCEN
NO.	DATE	BY	REVISION	SCALE: NTS

SHEET 1 OF 3

EDBC1FC75XES

1.0 Wen 2013/07/13 17:02



*The primary voltage ratio of 240V or 480V is available at 60Hz only with a secondary voltage of approximately 130/262V

HAM1239B

PRIMARY VOLTAGE	CONNECT LINES TO	INTER-CONNECT
480V (60 Hz)*	H1, H10	H5-H6
440V	H1, H10	H5-H6
416V	H1, H9	H4-H6
400V	H1, H8	H3-H6
380V	H1, H7	H2-H6
240V (60 Hz)*	H1, H10	H1-H6, H5-H10
220V	H1, H10	H1-H6, H5-H10
208V	H1, H9	H1-H6, H4-H9
200V	H1, H8	H1-H6, H3-H8
190V	H1, H7	H1-H6, H2-H7
SECONDARY VOLTAGE	CONNECT LINES TO	INTER-CONNECT
240V	X1, X4	X2-X3
120/240V	X1, X2, X4	X2-X3
120V	X1, X4	X2-X4, X1-X3



TITLE: 1 PHASE ENCAPSULATED TRANSFORMER

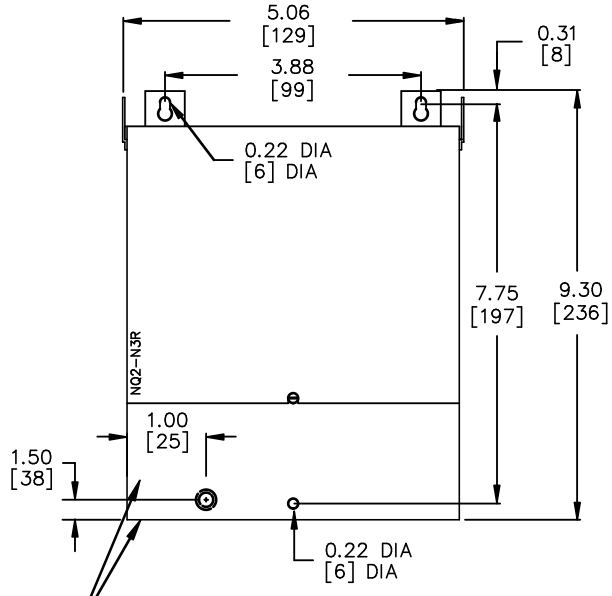
1	21/07/13	PP	EDB UPDATE	DES: LCEN
NO.	DATE	BY	REVISION	SCALE: NTS

SHEET 2 OF 3

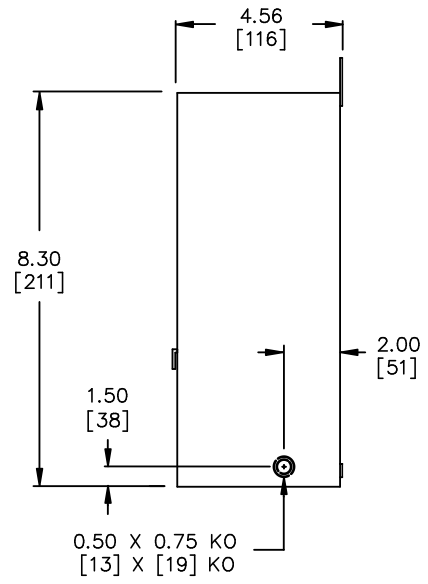
EDBC1FC75XES

1.0 Jun 2021/07/13 17:02

FRONT VIEW



SIDE VIEW



FRONT & BOTTOM PANEL IS HINGED FOR ACCESS TO TERMINALS, BOTTOM MOUNTING HOLES AND REAR KNOCKOUT.

All Dimensions in inches[mm]

ENCLOSURE COLOR : ANSI 61 GREY – OUTDOOR

CUSTOMER NOTES:

- HV1 TERMINATED AT LEADS
- LV1 TERMINATED AT LEADS



TITLE: 1 PHASE ENCAPSULATED TRANSFORMER

1	21/07/13	PP	EDB UPDATE	DES: LCEN
NO.	DATE	BY	REVISION	SCALE: NTS

SHEET 3 OF 3

EDB1FC75XES

1.0 Wed 2021/07/13 17:02