



Hammond Power Solutions Inc.



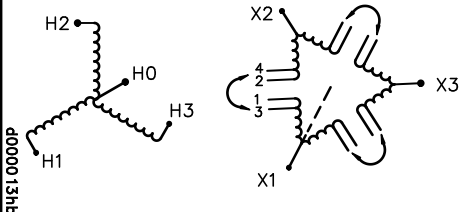
GENERAL PURPOSE TRANSFORMER 252L E50394

GUELPH, ONT. BARABOO, WI COMPTON, CA MONTERREY, MX

HPS FORTRESS™
COMMERCIAL POTTED DISTRIBUTION TRANSFORMER

HV/HT	480Y/277V			Cust. Ref.	
BIL	-			Serial No.	
TERM. BORNES	H0 H1 H2 H3			Part No.	C3F002BKS
	Phase	3			
	kVA	2			
	TYPE	QT			
	Cooling	ANC			
	Temp. Class	130 °C			
	Frequency	60 Hz			
	Impédance %	5.4			
	Encl. Type	3R			
	Wt	49/23			
LV/BT	208V				
BIL	-				
TERM. BORNES	X1 X2 X3				

VOLTS	CURRENT	% RATED VOLTAGE	CONNECTION EACH PHASE
COURANT	% TENSION NOMINALE	CONNEXION PAR PHASE	
218	5.3	105	1-2
208	5.6	100	2-3
198	5.8	95	3-4



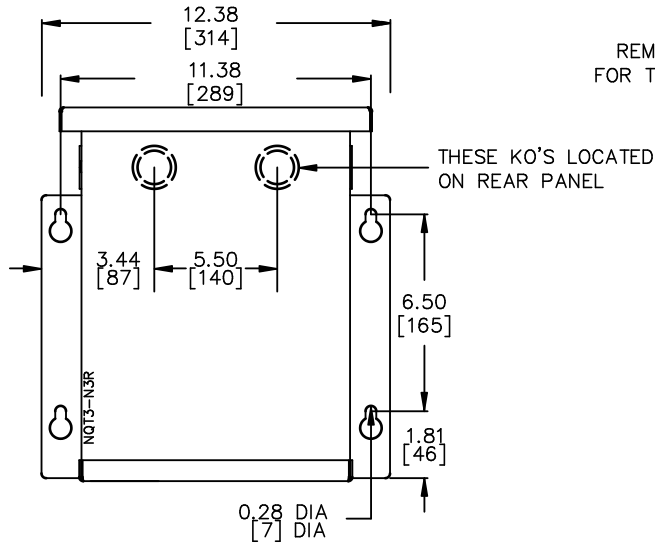
ELECTROSTATIC SHIELD
TRANSFORMER SUITABLE FOR STEP UP OPERATION ONLY



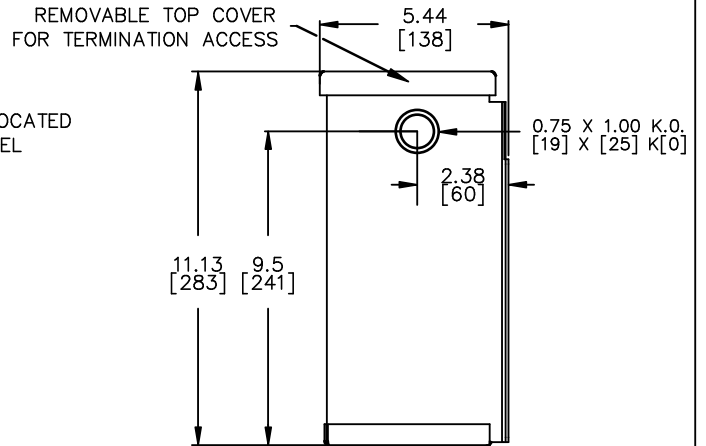
TITLE: 3PH DISTRIBUTION TRANSFORMER NAMEPLATE INFORMATION				
1	21/07/13	PP	EDB UPDATE	DES: WWONG
NO.	DATE	BY	REVISION	SCALE: NTS

SHEET 1 OF 2
EDBC3F002BKS
1.0 Juin 2021/07/13 17:03

FRONT VIEW



SIDE VIEW



All Dimensions in inches[mm]

ENCLOSURE COLOR : ANSI 61 GREY – OUTDOOR

CUSTOMER NOTES:

- HV1 TERMINATED AT LEADS
- LV1 TERMINATED AT LEADS



TITLE: 3PH DISTRIBUTION TRANSFORMER

1	21/07/13	PP	EDB UPDATE	DES: WWONG
NO.	DATE	BY	REVISION	SCALE: NTS

SHEET 2 OF 2

EDBC3F002BK5

1.0 .jwen 2021/07/13 17:03