



Hammond Power Solutions Inc.



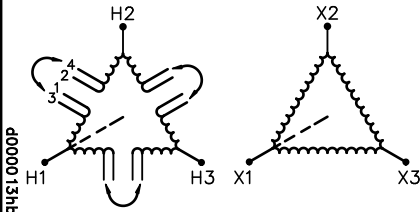
GENERAL PURPOSE TRANSFORMER 252L E50394

GUELPH, ONT. BARABOO, WI COMPTON, CA MONTERREY, MX

HPS FORTRESS™  
COMMERCIAL POTTED DISTRIBUTION TRANSFORMER

HV/HT	600V			Cust. Ref.	
BIL	-			Réf. du client	
TERM. BORNES	H1 H2 H3			Serial No.	
				No. de série	
				Part No.	C3F002PDS
				No. de pièce	
				Phase	3
				kVA	2
				TYPE	QT
				Cooling Refroidissement	ANC
				Temp. Class. Classe de Temp.	130 °C
				Frequency Fréquence	60 Hz
				Impédance % @ 100 °C	5.4
LV/BT	240V			Encl. Type Type de boîtier	3R
BIL	-			Wt Poids	49/23
TERM. BORNES	X1 X2 X3				

VOLTS	CURRENT COURANT	% RATED VOLTAGE % TENSION NOMINALE	CONNECTION EACH PHASE CONNEXION PAR PHASE
630	1.8	105	1-2
600	1.9	100	2-3
570	2.0	95	3-4



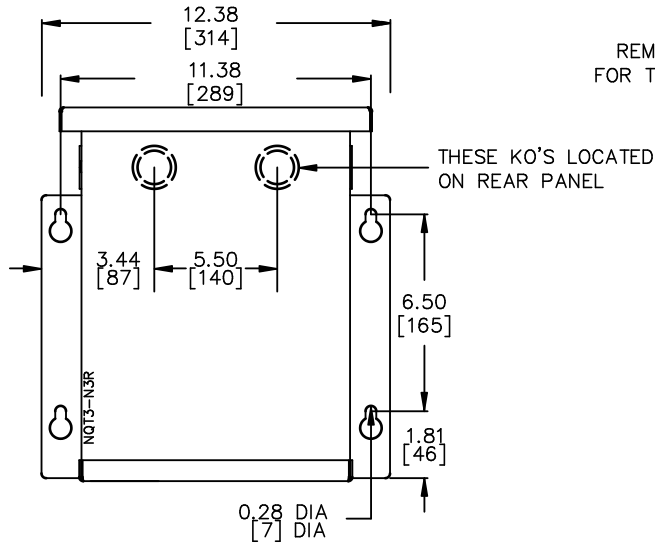
ELECTROSTATIC SHIELD



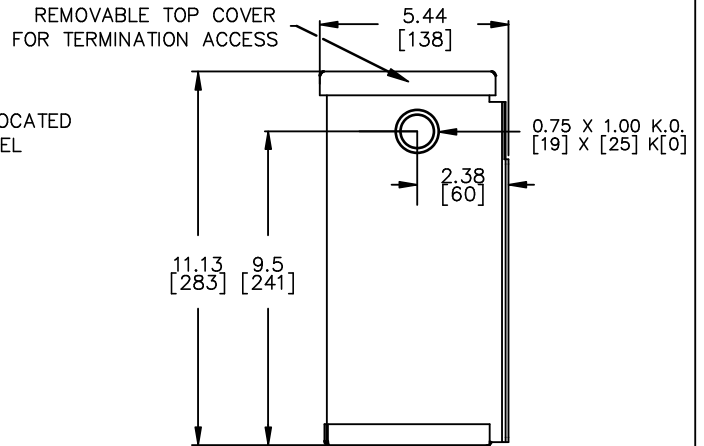
TITLE: 3PH DISTRIBUTION TRANSFORMER NAMEPLATE INFORMATION				
1	21/07/13	PP	EDB UPDATE	DES: WWONG
NO.	DATE	BY	REVISION	SCALE: NTS

SHEET 1 OF 2  
EDBC3F002PDS  
1.0 Juin 2021/07/13 17:03

FRONT VIEW



SIDE VIEW



All Dimensions in inches[mm]

ENCLOSURE COLOR : ANSI 61 GREY – OUTDOOR

CUSTOMER NOTES:

- HV1 TERMINATED AT LEADS
- LV1 TERMINATED AT LEADS



TITLE: 3PH DISTRIBUTION TRANSFORMER

1	21/07/13	PP	EDB UPDATE	DES: WWONG
NO.	DATE	BY	REVISION	SCALE: NTS

SHEET 2 OF 2

EDBC3F002PDS

1.0 .jwen 2021/07/13 17:03