



Hammond Power Solutions Inc.

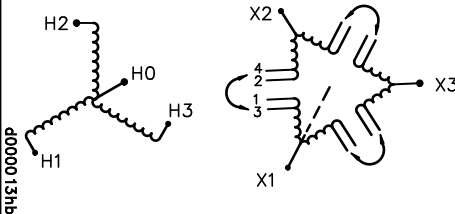


GENERAL PURPOSE TRANSFORMER 252L E50394

GUELPH, ONT. BARABOO, WI COMPTON, CA MONTERREY, MX

HPS FORTRESS™
COMMERCIAL POTTED DISTRIBUTION TRANSFORMER

HV/HT	480Y/277V			Cust. Ref. Réf. du client		
BIL	-			Serial No. No. de série		
TERM. BORNES	H0 H1 H2 H3			Part No. No. de pièce	C3F003DKS	
	VOLTS 252 240 228	CURRENT COURANT 6.8 7.2 7.6	% RATED VOLTAGE % TENSION NOMINALE 105 100 95	CONNECTION EACH PHASE CONNEXION PAR PHASE 1-2 2-3 3-4	Phase	3
					kVA	3
					TYPE	QT
					Cooling Refroidissement	ANC
					Temp. Class Classe de Temp.	130 °C
					Frequency Fréquence	60 Hz
					Impédance % @ 100 °C	4.5
LV/BT	240V			Encl. Type Type de boîtier	3R	
BIL	-			Wt Poids	lbs/kg 68/31	
TERM. BORNES	X1 X2 X3					



ELECTROSTATIC SHIELD
TRANSFORMER SUITABLE FOR STEP UP OPERATION ONLY



Hammond Power Solutions Inc.

TITLE: 3PH DISTRIBUTION TRANSFORMER
NAMEPLATE INFORMATION

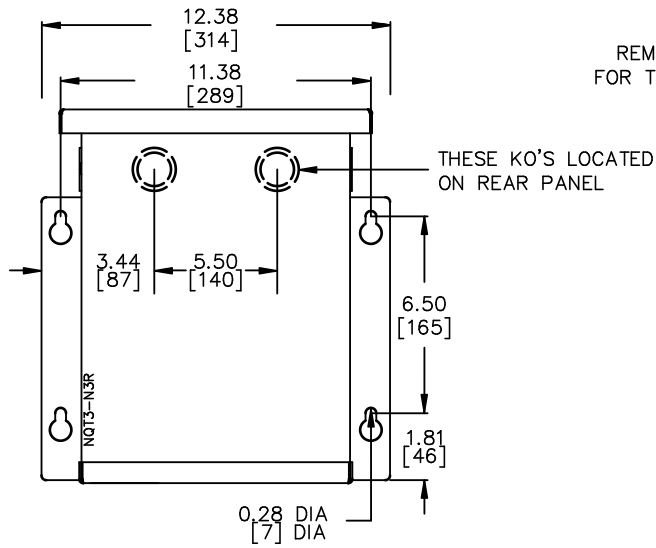
1	21/07/13	PP	EDB UPDATE	DES: WWONG
NO.	DATE	BY	REVISION	SCALE: NTS

SHEET 1 OF 2

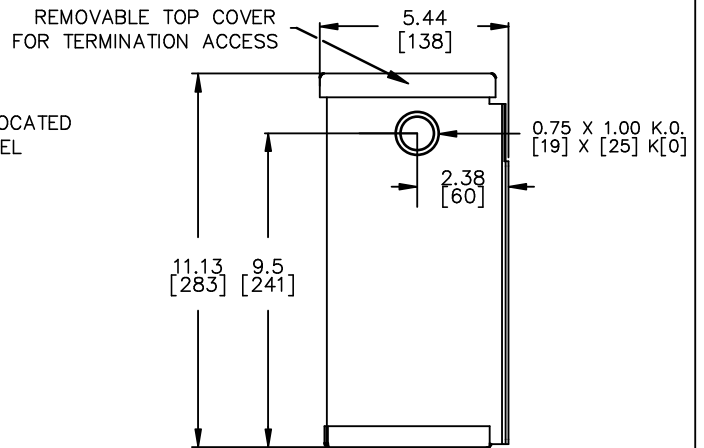
EDBC3F003DKS

1.0 Juin 2021/07/13 17:03

FRONT VIEW



SIDE VIEW



All Dimensions in inches[mm]

ENCLOSURE COLOR : ANSI 61 GREY – OUTDOOR

CUSTOMER NOTES:

- HV1 TERMINATED AT SEW LEADS
- LV1 TERMINATED AT SEW LEADS



Hammond Power Solutions Inc.

TITLE: 3PH DISTRIBUTION TRANSFORMER

1	21/07/13	PP	EDB UPDATE	DES: WWONG
				DATE: 08/12/24
NO.	DATE	BY	REVISION	SCALE: NTS

SHEET 2 OF 2

EDBC3F003DKS

1.0_jwen 2021/07/13 17:03