



Hammond Power Solutions Inc.



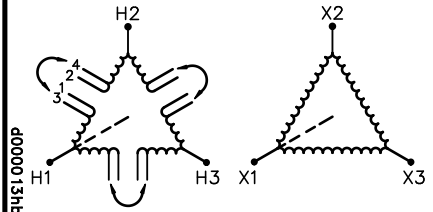
GENERAL PURPOSE TRANSFORMER 252L E50394

GUELPH, ONT. BARABOO, WI COMPTON, CA MONTERREY, MX

HPS FORTRESS™
COMMERCIAL POTTED DISTRIBUTION TRANSFORMER

HV/HT	480V			Cust. Ref.	
BIL	-			Réf. du client	
TERM. BORNES	H1 H2 H3			Serial No.	
				No. de série	
				Part No.	C3F003KDS
				No. de pièce	
				Phase	3
				kVA	3
				TYPE	QT
				Cooling	ANC
				Refrroidissement	
				Temp. Class	130 °C
				Classe de Temp.	
				Frequency	60 Hz
				Fréquence	
				Impédance %	4.5
				@ 100 °C	
LV/BT	240V			Encl. Type	3R
BIL	-			Type de boîtier	
TERM. BORNES	X1 X2 X3			Wt	68/31
				Poids	lbs/kg

VOLTS	CURRENT COURANT	% RATED VOLTAGE % TENSION NOMINALE	CONNECTION EACH PHASE CONNEXION PAR PHASE
504	3.6	105	1-2
480	3.8	100	2-3
456	4.0	95	3-4



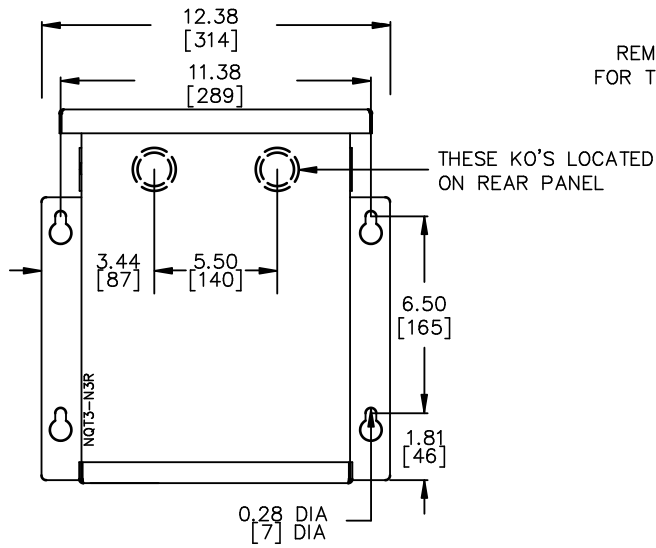
ELECTROSTATIC SHIELD



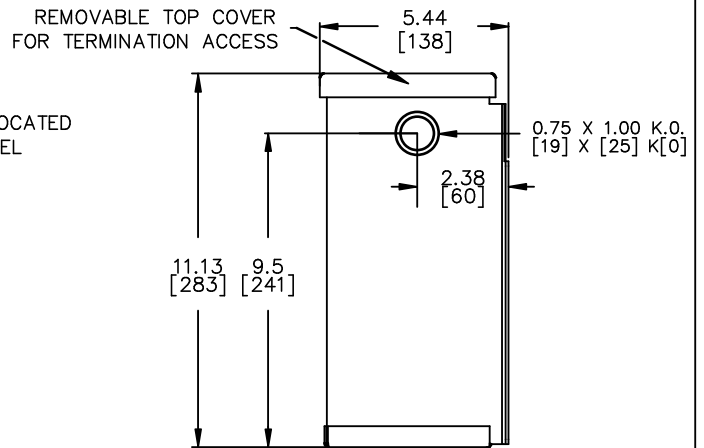
TITLE: 3PH DISTRIBUTION TRANSFORMER NAMEPLATE INFORMATION				
1	21/07/13	PP	EDB UPDATE	DES: WWONG
NO.	DATE	BY	REVISION	SCALE: NTS

SHEET 1 OF 2
EDBC3F003KDS
1.0 Juin 2021/07/13 17:02

FRONT VIEW



SIDE VIEW



All Dimensions in inches[mm]

ENCLOSURE COLOR : ANSI 61 GREY – OUTDOOR

CUSTOMER NOTES:

- HV1 TERMINATED AT LEADS
- LV1 TERMINATED AT LEADS



Hammond Power Solutions Inc.

TITLE: 3PH DISTRIBUTION TRANSFORMER

1	21/07/13	PP	EDB UPDATE	DES: WWONG
NO.	DATE	BY	REVISION	SCALE: NTS

SHEET 2 OF 2

EDBC3F003KDS

1.0_jwen 2021/07/13 17:02