



Hammond Power Solutions Inc.

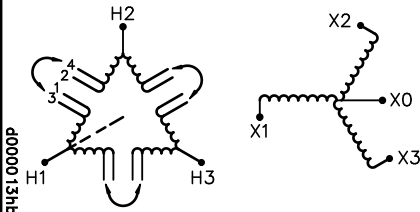


GENERAL PURPOSE TRANSFORMER 252L E50394

GUELPH, ONT. BARABOO, WI COMPTON, CA MONTERREY, MX

HPS FORTRESS™  
COMMERCIAL POTTED DISTRIBUTION TRANSFORMER

HV/HT	480V			Cust. Ref. Réf. du client																
BIL	-			Serial No. No. de série																
TERM. BORNES	H1 H2 H3			Part No. No. de pièce	C3F006KBS															
	Phase	3																		
	kVA	6																		
	TYPE	QT																		
	Cooling Refroidissement	ANC																		
	Temp. Class Classe de Temp.	180 °C																		
	Frequency Fréquence	60 Hz																		
	Impédance % @ 135 °C	3.9																		
	Encl. Type Type de boîtier	NEMA-3R																		
	Wt Poids	lbs/kg 205/93																		
		<table border="1"> <thead> <tr> <th>VOLTS</th> <th>CURRENT COURANT</th> <th>% RATED VOLTAGE % TENSION NOMINALE</th> <th>CONNECTION EACH PHASE CONNEXION PAR PHASE</th> </tr> </thead> <tbody> <tr> <td>504</td> <td>6.9</td> <td>105</td> <td>1-2</td> </tr> <tr> <td>480</td> <td>7.2</td> <td>100</td> <td>2-3</td> </tr> <tr> <td>456</td> <td>7.6</td> <td>95</td> <td>3-4</td> </tr> </tbody> </table>	VOLTS	CURRENT COURANT	% RATED VOLTAGE % TENSION NOMINALE	CONNECTION EACH PHASE CONNEXION PAR PHASE	504	6.9	105	1-2	480	7.2	100	2-3	456	7.6	95	3-4		
VOLTS	CURRENT COURANT	% RATED VOLTAGE % TENSION NOMINALE	CONNECTION EACH PHASE CONNEXION PAR PHASE																	
504	6.9	105	1-2																	
480	7.2	100	2-3																	
456	7.6	95	3-4																	
LV/BT	208Y/120V																			
BIL	-																			
TERM. BORNES	X0 X1 X2 X3																			



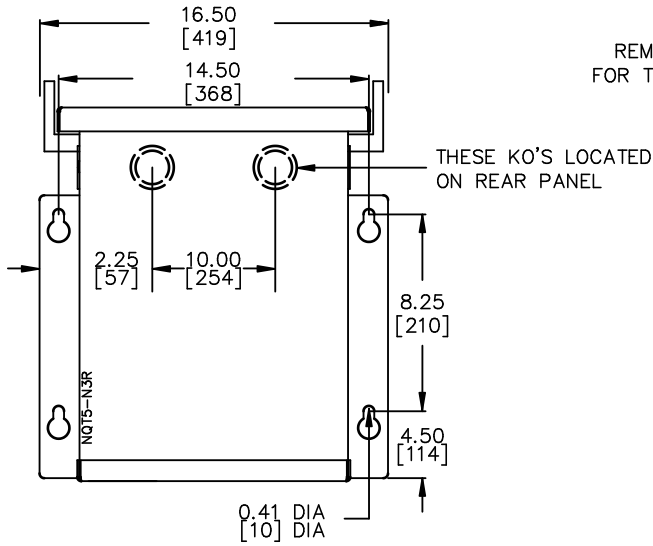
ELECTROSTATIC SHIELD



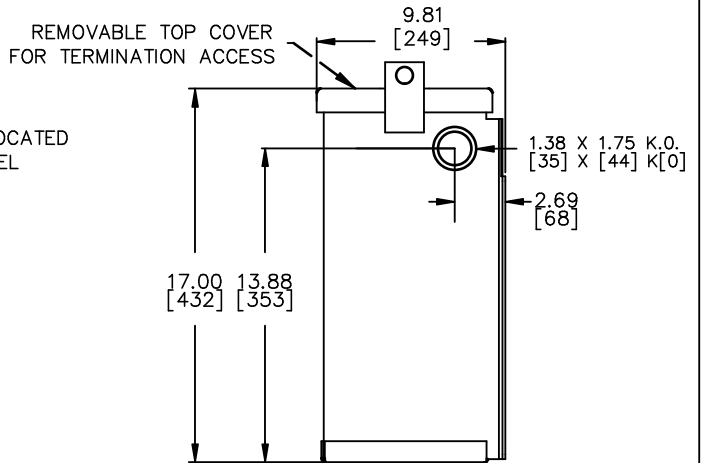
TITLE: 3PH DISTRIBUTION TRANSFORMER NAMEPLATE INFORMATION				
2	21/07/13	PP	EDB UPDATE	DES: GCALOTA
1	13/09/12	PP	HCN: 47301	DATE: 08/10/21
NO.	DATE	BY	REVISION	SCALE: NTS

SHEET 1 OF 2  
EDBC3F006KBS  
2.0 Jwen 2021/07/13 17:02

FRONT VIEW



SIDE VIEW



All Dimensions in inches[mm]

ENCLOSURE COLOR :ANSI 61 GREY – OUTDOOR

CUSTOMER NOTES:

- HV1 TERMINATED AT TOP FRONT SEW LEADS
- LV1 TERMINATED AT TOP REAR SEW LEADS



TITLE: 3PH DISTRIBUTION TRANSFORMER

2	21/07/13	PP	EDB UPDATE	DES: GCALOTA
1	13/09/12	PP	HCN: 47301	DATE: 08/10/21
NO.	DATE	BY	REVISION	SCALE: NTS

SHEET 2 OF 2

EDBC3F006KBS

2.0 jwen 2021/07/13 17:02