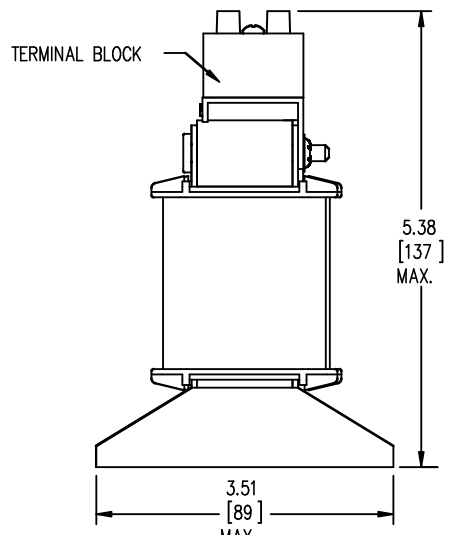
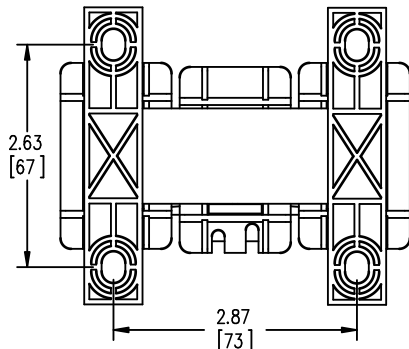


FRONT VIEW

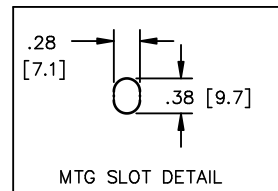


SIDE VIEW



BOTTOM VIEW

TERMINAL BLOCK  
SUITABLE FOR  
#13 TO #10 AWG  
CONDUCTORS  
QTY. 1 PER PHASE



MTG SLOT DETAIL



TOLERANCES  
MOUNTING CENTERS = +/- .06"  
MOUNTING HOLE SIZE = +/- .005"

THIS DRAWING CONTAINS PROPRIETARY INFORMATION  
BELONGING TO HAMMOND POWER SOLUTIONS INC.,  
AND IS NOT FOR GENERAL DISTRIBUTION

All Dimensions in Inches  
mm in Parenthesis

REACTOR



HPS CENTURION R  
THREE PHASE DRY TYPE REACTOR  
Hammond  
Power Solutions CRX0011BC  
2.1MH 50/60 HZ 11 AMPS

1003781e

0.6 KV CLASS TEMP CLASS: 130 TYPE JR-1  
TERMINAL TORQUE: 11 LB-IN AMBIENT: 50°C

NOTES:



Hammond Power  
Solutions Inc.

TITLE: 3 PHASE LINE REACTOR				DES: PBAKER
				DATE: 14/06/24
NO.	DATE	BY	REVISION	SCALE: NTS

SHEET 1 OF 1

EDBCRX0011BC

0.0 wed 11/16/2023/01:59