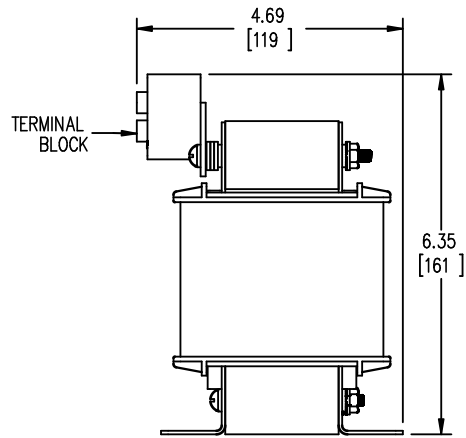
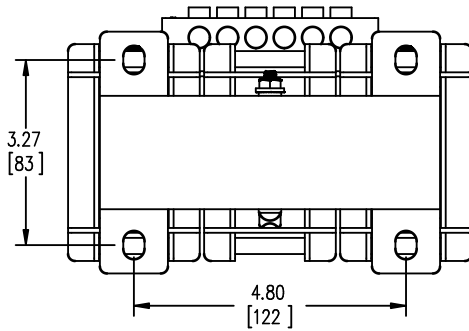


FRONT VIEW

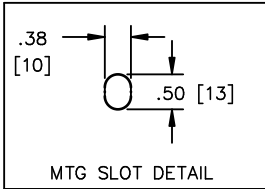


SIDE VIEW



BOTTOM VIEW

TERMINAL BLOCK
SUITABLE FOR
#14 TO #4 AWG
CONDUCTORS
QTY. 1 PER PHASE



MTG SLOT DETAIL



TOLERANCES
MOUNTING CENTERS = +/- .06"
MOUNTING HOLE SIZE = +/- .005"

THIS DRAWING CONTAINS PROPRIETARY INFORMATION
BELONGING TO HAMMOND POWER SOLUTIONS INC.,
AND IS NOT FOR GENERAL DISTRIBUTION

All Dimensions in Inches
mm in Parenthesis

REACTOR



Hammond Power Solutions HPS CENTURION R
THREE PHASE LINE REACTOR

MADE IN CANADA P/N CRX0052AC

INDUCT. 0.50 mH Hz 50/60 AMPS 52 IP00

0.6 kV CLASS TEMP CLASS 180°C TYPE JR-1

WEIGHT 20 (LBS/KG) AMBIENT: 50°C



LR3902



IND. CONT. EQ. E61431 LISTED

f0037760e

NOTES:



Hammond Power Solutions Inc.

TITLE: 3 PHASE LINE REACTOR

DES:	PBAKER		
DATE:	14/06/25		
SCALE:	NTS		
NO.	DATE	BY	REVISION

SHEET 1 OF 1

EDBCRX0052AC

0.1_jwen 2023/01/31 11:50