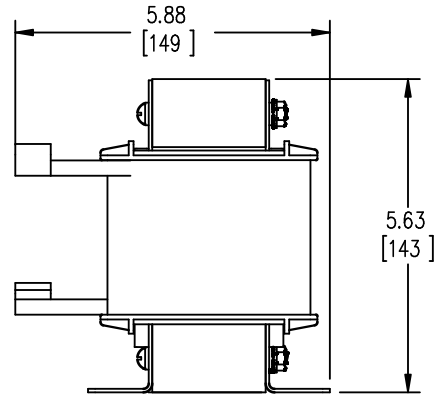
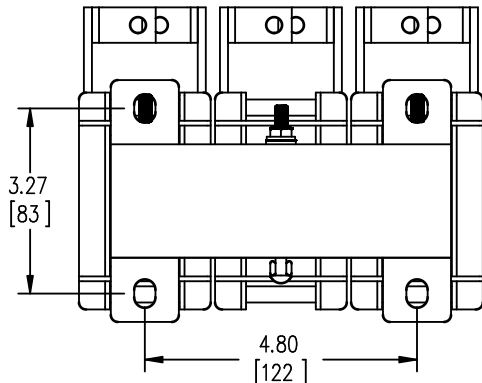


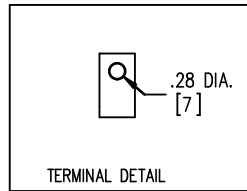
FRONT VIEW



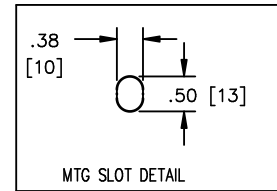
SIDE VIEW



BOTTOM VIEW



TERMINAL DETAIL



MTG SLOT DETAIL



TOLERANCES
MOUNTING CENTERS = +/- .06"
MOUNTING HOLE SIZE = +/- .005"

THIS DRAWING CONTAINS PROPRIETARY INFORMATION
BELONGING TO HAMMOND POWER SOLUTIONS INC.,
AND IS NOT FOR GENERAL DISTRIBUTION

All Dimensions in Inches
mm in Parenthesis

REACTOR



Hammond Power Solutions HPS CENTURION R
THREE PHASE LINE REACTOR

MADE IN CANADA P/N CRX0088AC

INDUCT. .12 mH Hz 50/60 AMPS 88 IP00

0.6 kV CLASS TEMP CLASS 180°C TYPE JR-2

WEIGHT 17 (LBS/KG) AMBIENT: 50°C

USE WITH SUITABLY RATED LISTED (ZMVV) LUGS

WINDING TERMINAL TEMPERATURE: 75° C



LR3902



IND. CONT. EQ. E61431 LISTED

10037760e

NOTES:



Hammond Power Solutions Inc.

TITLE: 3 PHASE LINE REACTOR

| | |
|--------|----------|
| DES: | PBAKER |
| DATE: | 14/06/25 |
| SCALE: | NTS |

| NO. | DATE | BY | REVISION |
|-----|------|----|----------|
| | | | |

SHEET 1 OF 1

EDBCRX0088AC

0.0 jwen 2023/01/31 12:09