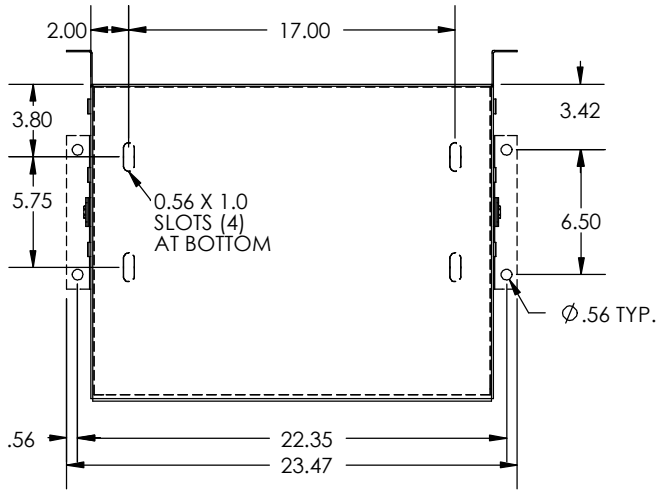
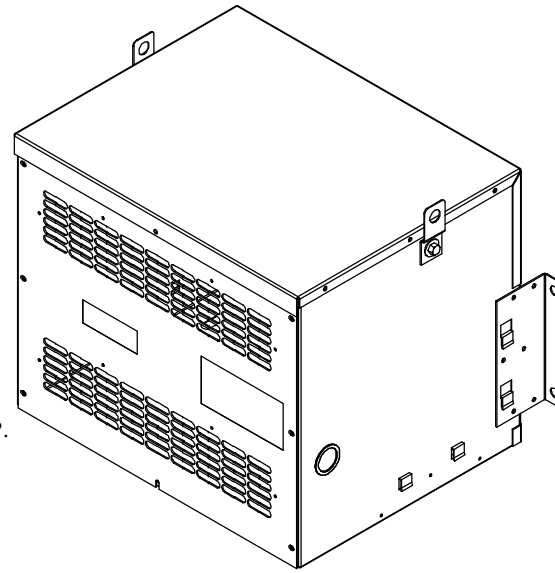


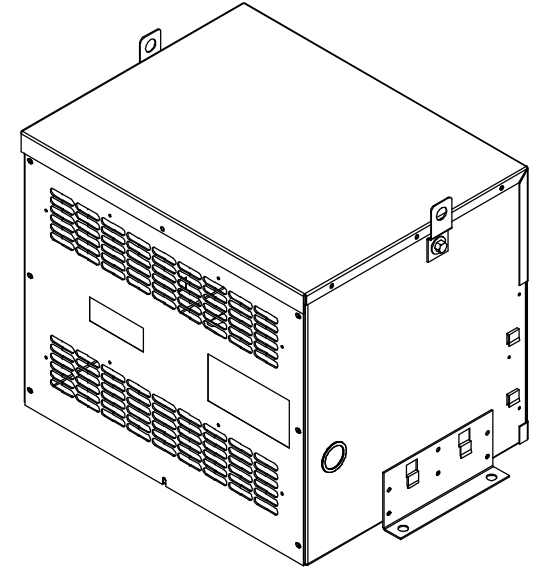
FOR REVISION INFORMATION SEE SHEET 1



TOP VIEW



WALL MOUNTING



FLOOR MOUNTING

CH2 DISTRIBUTION ENCLOSURE
NEMA 1 TYPE
WEIGHT - 31.66 lbs

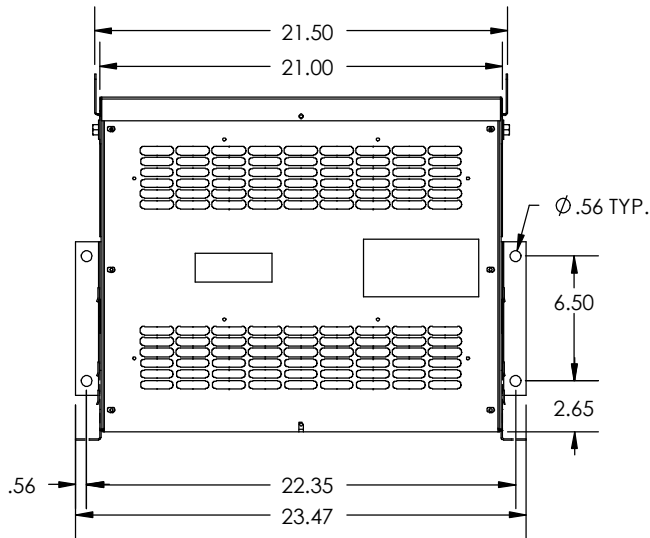


DES'D BY: **PB**
DATE: **2010-02-17**

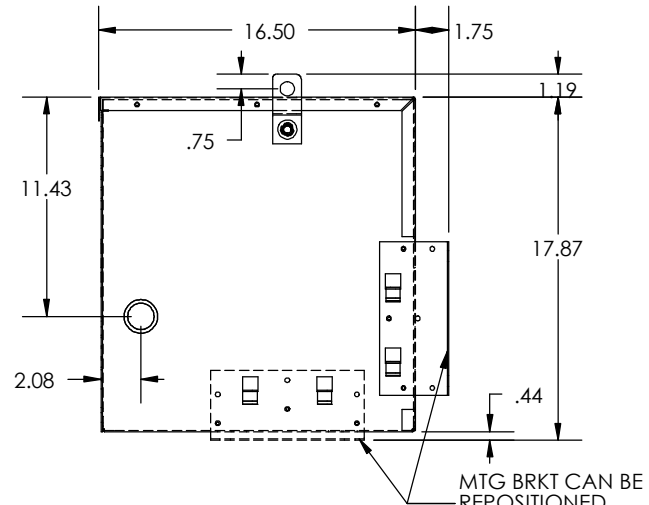
CHK'D BY: **--**
DATE: **--**

APP'D BY: **PB**
DATE: **2010-02-17**

STD TOLERANCES
 .X = ±0.1
 .XX = ±0.06
 .XXX = ±0.02
 .XXXX = ±0.005
 ANGLES = ±0.5°
 HOLE, SLOT SIZE = ±0.03



FRONT VIEW



RIGHT SIDE VIEW

MTG BRKT CAN BE REPOSITIONED FOR FLOOR MTG

SPRINKLER SHIELD : MTG160837