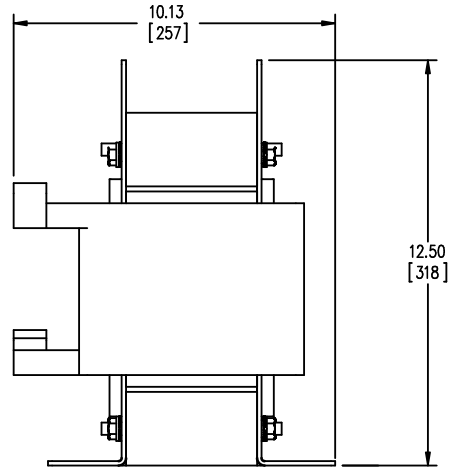
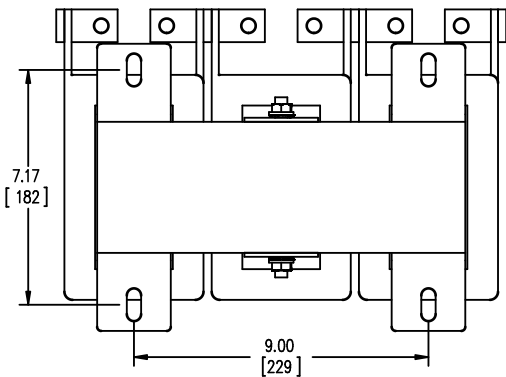


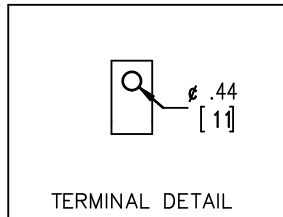
FRONT VIEW



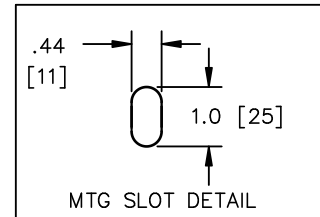
SIDE VIEW



BOTTOM VIEW



TERMINAL DETAIL



MTG SLOT DETAIL



TOLERANCES  
MOUNTING CENTERS = +/- .06"  
MOUNTING HOLE SIZE = +/- .005"

THIS DRAWING CONTAINS PROPRIETARY INFORMATION  
BELONGING TO HAMMOND POWER SOLUTIONS INC.,  
AND IS NOT FOR GENERAL DISTRIBUTION

All Dimensions in Inches  
mm in Parenthesis

REACTOR



Hammond  
Power Solutions

HPS CENTURION R  
THREE PHASE LINE REACTOR  
P/N CRX0472AC

INDUCT. 0.057 MH 50/60 HZ 472 AMPS

0.6 KV CLASS WT: 125 lbs IP00

AMBIENT: 50° TEMP CLASS: 220 TYPE JR-2

USE WITH SUITABLY RATED LISTED (ZMVV) LUGS

WINDING TERMINAL TEMPERATURE: 75° C



LR3902



LISTED

MADE IN CANADA

IND. CONT. EQ. E61431

f003782e

NOTES:



Hammond Power  
Solutions Inc.

TITLE: PROTOTYPE REACTOR

DES:	PBAKER
DATE:	14/07/04
SCALE:	NTS

SHEET 1 OF 1

EDBCRX0472AC

0.1\_jwen 2023/01/31 11:52