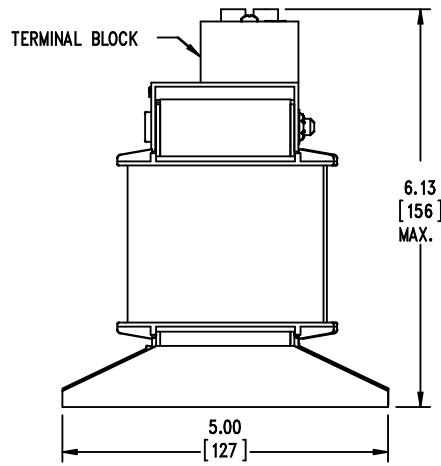
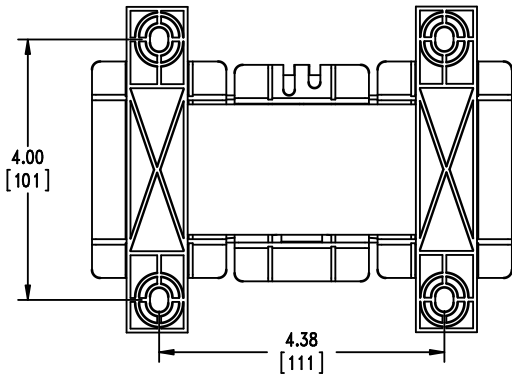


FRONT VIEW

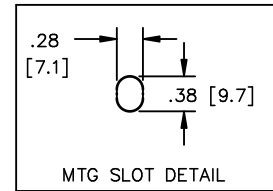


SIDE VIEW



BOTTOM VIEW

TERMINAL BLOCK  
SUITABLE FOR  
#14 TO #4 AWG  
CONDUCTORS  
QTY. 1 PER PHASE



TOLERANCES  
MOUNTING CENTERS = +/- .06"  
MOUNTING HOLE SIZE = +/- .005"

THIS DRAWING CONTAINS PROPRIETARY INFORMATION  
BELONGING TO HAMMOND POWER SOLUTIONS INC.,  
AND IS NOT FOR GENERAL DISTRIBUTION

All Dimensions in Inches  
mm in Parenthesis

REACTOR



HPS CENTURION R  
THREE PHASE DRY TYPE REACTOR  
Hammond  
Power Solutions CRX16D7CC  
1.1MH 50/60 HZ 16.7 AMPS

1003781e

0.6 KV CLASS TEMP CLASS: 130 TYPE JR-1  
AMBIENT: 50°C

NOTES:



Hammond Power  
Solutions Inc.

TITLE: 3 PHASE LINE REACTOR

DES:	PBAKER
DATE:	14/06/25
SCALE:	NTS

NO.	DATE	BY	REVISION

SHEET 1 OF 1

EDBCRX16D7CC

0.0 jwen 2023/01/31 12:14