



Hammond
Power Solutions

GUELPH, ONT. BARABOO, WI COMPTON, CA MONTERREY, MX



LR 3902

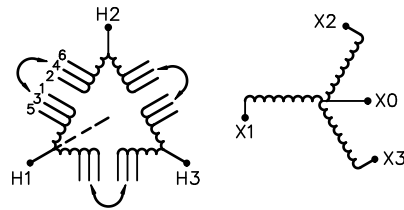


DRY TYPE
TRANSFORMER
77JUS
E112313

LISTED

THREE PHASE DRY TYPE DRIVE ISOLATION TRANSFORMER
TRANSFORMATEUR TRIPHASE POUR VARIATEUR DE VITESSE DE MOTEURS

HV/HT	460V			Cust. Ref. Réf. du client	
BIL	-			Serial No. No. de série	
TERM. BORNES	H1 H2 H3			Part No. No. de pièce	DM440JJ
	VOLTS	CURRENT COURANT	% RATED VOLTAGE % TENSION NOMINALE	CONNECTION EACH PHASE CONNEXION PAR PHASE	kVA
	483	526	105	1-2	440
	472	539	102.5	2-3	TYPE
	460	552	100	3-4	K
	448	566	97.5	4-5	Cooling Refroidissement
	437	581	95	5-6	ANN
					Temp. Rise Echauffement
					150 °C
					Temp. Class Classe de Temp.
					220 °C
					Frequency Fréquence
					60 Hz
					Impédance % @ 170 °C
					5.7
LV/BT	460Y/266V			Encl. Type Type de boîtier	3R
BIL	-			Wt Poids	lbs/kg 2600/1180
TERM. BORNES	X0 X1 X2 X3			Winding Enroulement	AL



SPACINGS BETWEEN ANY VENTILATED ENCLOSURE PANEL AND ANY ADJACENT WALL SHALL BE A MINIMUM OF 8.25 INCHES

d003102b



Hammond Power
Solutions Inc.

TITLE: 3PH DRIVE TRANSFORMER
NAMEPLATE INFORMATION

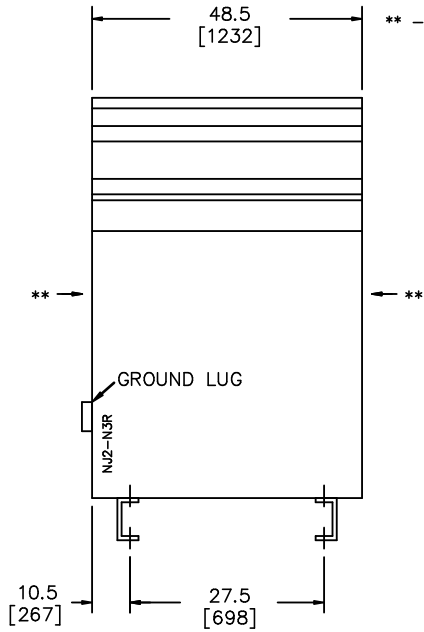
9	21/07/13	PP	EDB UPDATE	DES: CSUBRT
8	16/05/30	JF	GENERAL UPDATE [HCN 63265]	DATE: 99/08/18
NO.	DATE	BY	REVISION	SCALE: NTS

SHEET 1 OF 2

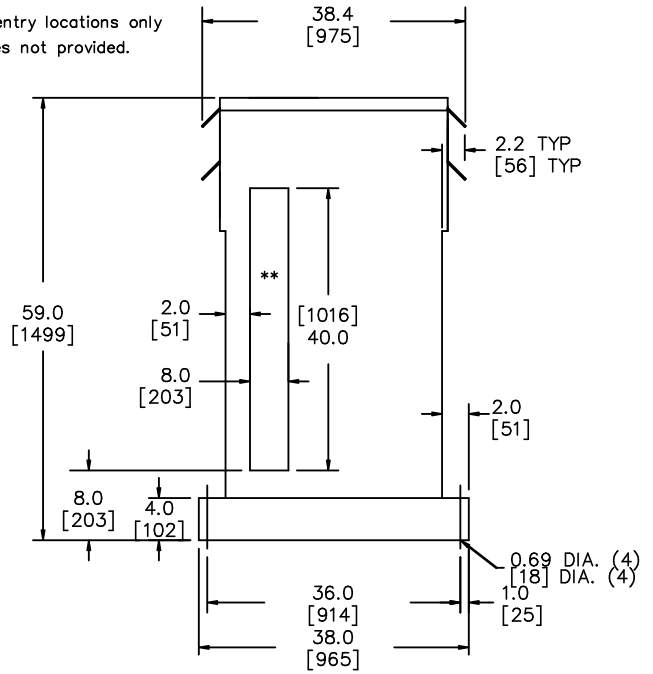
EDBDM440JJ

9.0 Wen Jun 13/07/2017 17:49

FRONT VIEW



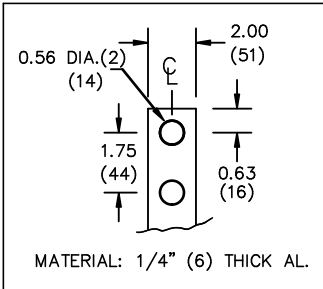
SIDE VIEW



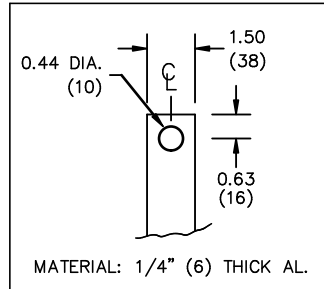
All Dimensions in inches[mm]

ENCLOSURE COLOR : ANSI 61 GREY - OUTDOOR

HV TERMINAL DETAIL



LV TERMINAL DETAIL



CUSTOMER NOTES:

- HV TERMINATED AT TOP FRONT
- LV TERMINATED AT BOTTOM FRONT
- C/W 1-"NC"- THERMOSTAT PER COIL CONNECTED TO T.B.



TITLE: 3PH DRIVE TRANSFORMER

9	21/07/13	PP	EDB UPDATE	DES: CSUBRT
8	16/05/30	JF	GENERAL UPDATE [HCN 63265]	DATE: 99/08/18
NO.	DATE	BY	REVISION	SCALE: NTS

SHEET 2 OF 2

EDBDM440JJ

9.0 Jwen 2021/07/13 17:49