


- IMPEDANCE SHOWN IS CALCULATED VALUE
- TESTED VALUE WILL BE ON ACTUAL NAMEPLATE



**Hammond Power Solutions Inc.**

GUELPH, ONT BARABOO, WI COMPTON, CA MONTEREY, MX GRANBY, QC

HPS POWERPLUS - MINI POWER CENTER

PART No. No. DE PIÉCE No. DE PARTE	M1PC025LESF	V001	TYPE TYPE TIPO	M1P
KVA	25	1	PHASE	60
INPUT ENTRÉE ENTRADA	480	VOLTS AC	IMPEDANCE IMPEDANCE IMPEDANCIA	1.92
TAPS PRISES TAPS	2	X	-5.0	%
	--	X	--	%
OUTPUT SORTIE SALIDA	120 / 240	VOLTS AC	CLASS CLASSE CLASE	180
	104	AMPS MAX	ENCLOSURE BOITIER GABINETE	TYPE 3R
REF.	1P-3T-20C		WEIGHT POIDS PESO	423 lbs


AT  
A  
EN 135 °C

RISE  
ÉLÉVATION  
AUMENTO 115 °C

INSTALL IN UPRIGHT POSITION  
MINIMUM INSTALLATION CLEARANCES  
SIDE : 8 INCHES - VERTICAL : 10 INCHES  
INSTALLER EN POSITION VERTICALE  
DISTANCES D'INSTALLATION MINIMALES  
COTÉ : 8 POUÇES - VERTICAL : 10 POUÇES  
INSTALAR EN POSICIÓN VERTICAL  
SEPARACIÓN MINIMA DE INSTALACIÓN  
LADO : 8 PULGADAS - VERTICAL : 10 PULGADAS

DIAGRAM AND ADDITIONAL INFORMATIONS INSIDE.  
SCHÉMA ET INFORMATIONS ADDITIONNELLES À L'INTÉRIEUR.  
DIAGRAMAS E INFORMACIONES ADICIONALES EN EL INTERIOR.

SERIAL No.  
No. DE SÉRIE  
No. DE SERIE XXXXXX



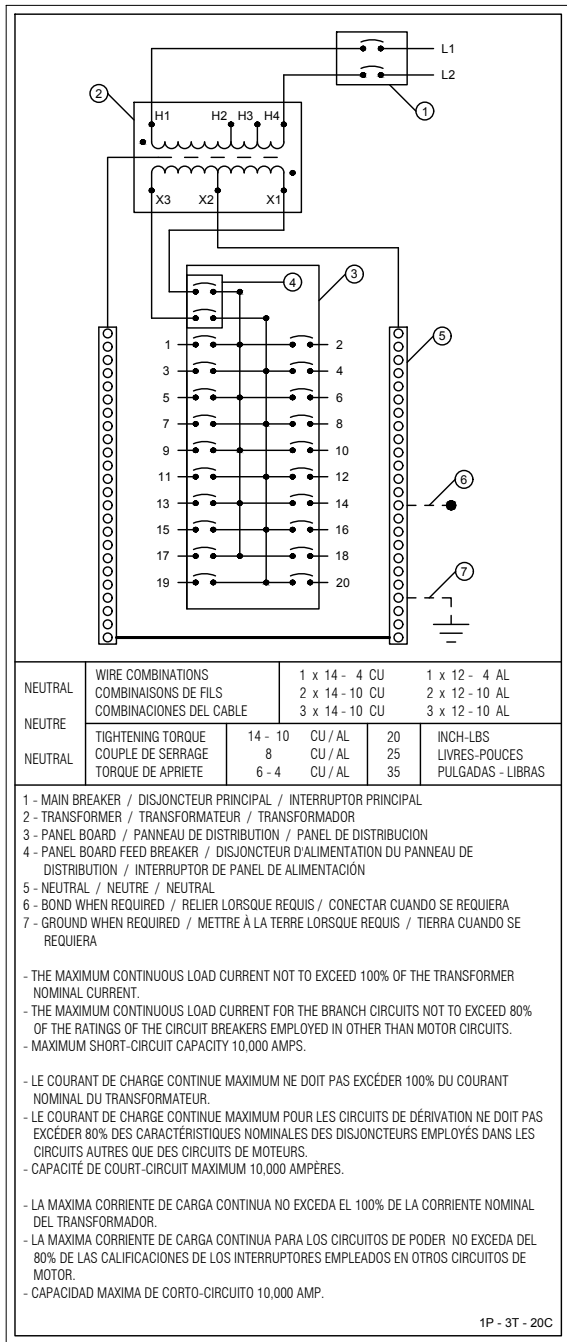
IN THE UNITED STATES ONLY,  
SUITABLE FOR USE AS SERVICE EQUIPMENT.  
AUX ÉTATS-UNIS SEULEMENT,  
ACCEPTABLE COMME APPAREILLAGE DE BRANCHEMENT.  
SOLO EN LOS ESTADOS UNIDOS,  
ADECUADO PARA SU USO COMO EQUIPO DE SERVICIO.



TITLE: 1 PHASE POWERPLUS  
MINI POWER CENTER  
NAMEPLATE INFORMATION

00	2011-09-20	Y. T.	ISSUED FOR APPROVAL	DES: Y. T.	T.
ND.	DATE	BY	REVISION	DATE: 2011-09-20	SCALE: NTS

EDB  
 M1PC025LESF  
 SHEET 1 OF 3



**Hammond Power Solutions Inc.**

TITLE: 1 PHASE POWERPLUS  
MINI POWER CENTER  
DIAGRAM INFORMATION

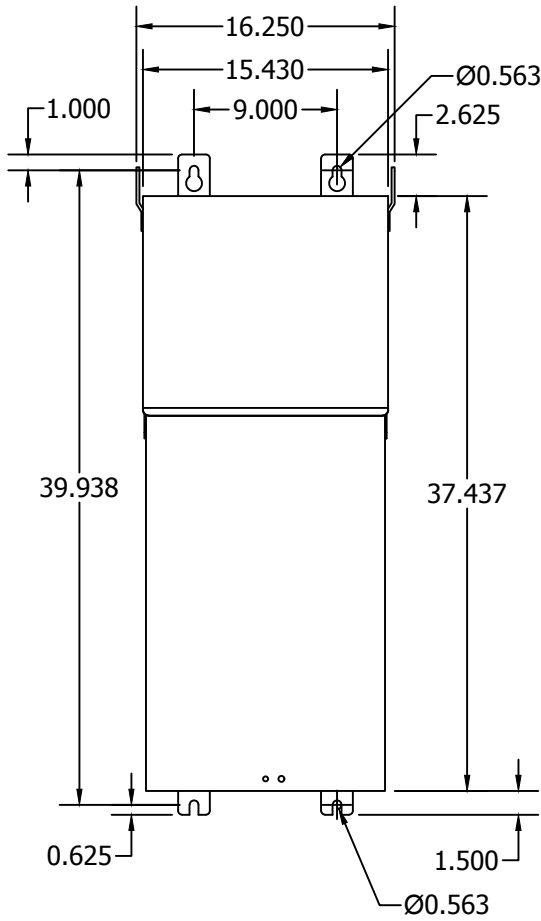
00	2011-09-20	Y. T.	ISSUED FOR APPROVAL	DES: Y. T. DATE: 2011-09-20
NO.	DATE	BY	REVISION	SCALE: NTS

SHEET 2 OF 3

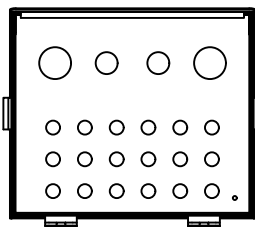
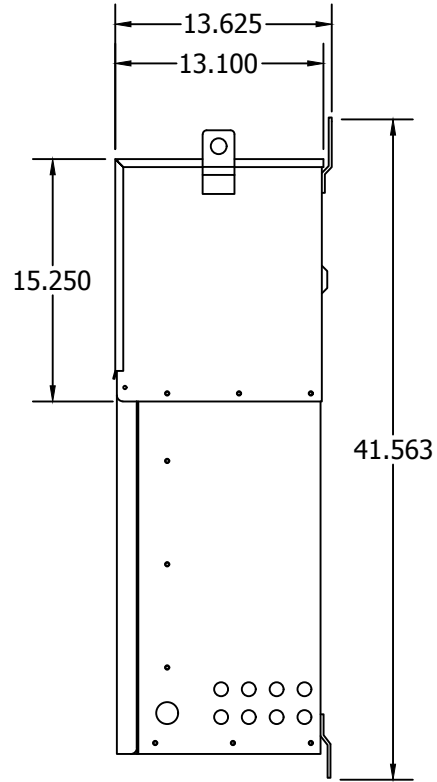
EDB  
MPC025LESF

- ALL DIMENSIONS IN INCHES
- ENCLOSURE COLOR : ANSI 61 GREY - OUTDOOR

FRONT VIEW



SIDE VIEW



BOTTOM VIEW

K.O. INFORMATION

- 0.875 DIA.
- 1.375 DIA.
- 2.000 DIA.



**Hammond Power Solutions Inc.**

TITLE: 1 PHASE POWERPLUS  
MINI POWER CENTER  
ENCLOSURE INFORMATION

00	2011-09-20	Y. T.	ISSUED FOR APPROVAL	DES: Y. T. DATE: 2011-09-20
NO.	DATE	BY	REVISION	SCALE: NTS

SHEET 3 OF 3

EDB MIPC025LE5F