



Hammond Power Solutions Inc.

TITLE: 3PH DISTRIBUTION TRANSFORMER
NAMEPLATE INFORMATION

3	21/07/16	PP	EDB UPDATE	DES: GPATEL
2	20/03/17	PP	SEISMIC UPDATE	DATE: 17/06/26
NO.	DATE	BY	REVISION	SCALE: NTS

SHEET 1 OF 3

EDBMG3A0045RKSCGCCO

3.0 Jwen 2021/07/16 15:20

Hammond Power Solutions
Guelph, ONT Compton, CA

Baraboo, WI
Monterrey, MX

Part No. MG3A0045RKSCGCCO

HPS Millennium™ G
Energy Efficient Distribution Transformer
Transformateur de Distribution à Bon Rendement Énergétique

Serial No. []
HV/HT 2400V
BIL 20 kV
Term Bornes H1 H2 H3
LV/BT 480Y/277V 54.1A
BIL 10 kV
Term Bornes X0 X1 X2 X3
DOE 10 CFR PART 431:2016
CEE ACT SOR/2018-201

LR 3902
DISTRIBUTION TRANSFORMER E147879
ALSO VERIFIED IN ACCORDANCE TO ENERGY STANDARD C802.2-18 BY UNDERWITERS LABORATORIES INC. 3106

SEISMIC QUALIFICATIONS:
AS FLOOR MOUNT ONLY
IBC 2018/ASCE 7-16
SDS<=2.0g Z/n=1 Ip=1.5

MG3A0045RKSCGCCO



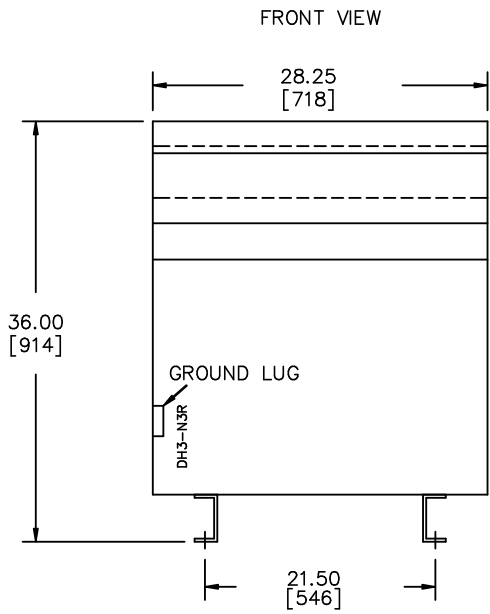
8 03423 13411 2

VOLTS	CURRENT COURANT	% RATED VOLTAGE % NOMINALE	CONNECTION CONNECTION PAR PHASE
2520	10.3	105	1-2
2460	10.6	102.5	2-3
2400	10.8	100	3-4
2340	11.1	97.5	4-5
2280	11.4	95	5-6

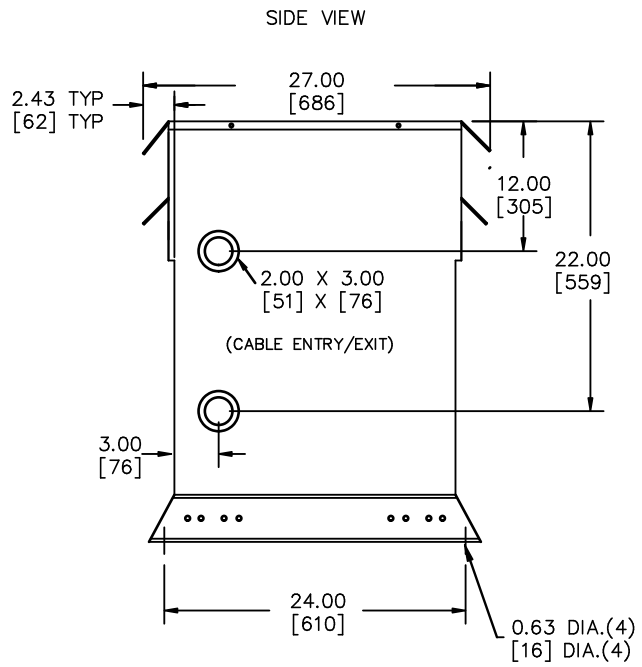
Cust. Ref. Ref. du Client	[]
Phase	3
Type	K
Cooling Refroidissement	ANN
kVA	45
Temp. Rise Echauffement	130 °C
Temp Class	200 °C
Winding Enroulement	CU
Frequency	60
Impedance % @ 150 °C	3.1
End. Type/Category Type ou catégorie de boîtier	3R C
Weight lbs/kg Poids	590/268

SPACINGS BETWEEN ANY VENTILATED ENCLOSURE PANEL AND ANY ADJACENT WALL SHALL BE A MINIMUM OF 3 INCHES ESPACEMENTS ENTRE LES PANNEAUX DE BOUTIER VENTILÉ ET LES MURS ADJACENT DOIVENT ÊTRE UN MINIMUM DE 3 POUNCES

d000590hzb



All Dimensions in inches[mm]



ENCLOSURE COLOR :ANSI 61 GREY – OUTDOOR

HV TERMINAL DETAIL

LV TERMINAL DETAIL

MECHANICAL TYPE LUGS INCLUDED
SUITABLE FOR #14-2 CU/AL
CONDUCTORS
1 CONDUCTOR PER PHASE

MECHANICAL TYPE LUGS INCLUDED
SUITABLE FOR #14-2 CU/AL
CONDUCTORS
1 CONDUCTOR PER PHASE

CUSTOMER NOTES:

- HV TERMINATED AT TOP FRONT
- LV TERMINATED AT BOTTOM FRONT



TITLE: 3PH DISTRIBUTION TRANSFORMER

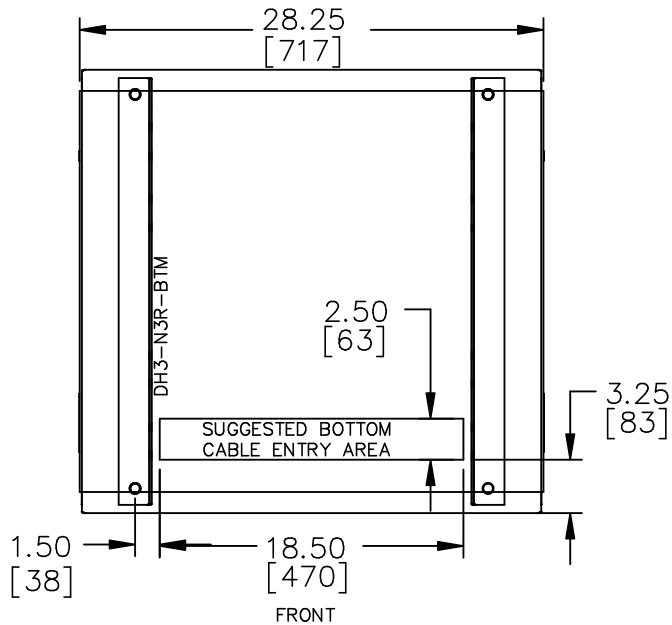
3	21/07/16	PP	EDB UPDATE	DES: GPATEL
2	20/03/17	PP	SEISMIC UPDATE	DATE: 17/06/26
NO.	DATE	BY	REVISION	SCALE: NTS

SHEET 2 OF 3

EDBMC3A0045RKS000

3.0 Jwen 2021/07/16 15:20

ENCLOSURE BOTTOM VIEW



NOTE:
 WHEN BOTTOM CABLE ENTRY IS OPTED, THE SPACE USED FOR CONDUITS IN THE FRONT OF THE TRANSFORMER SHOULD NOT OBSTRUCT MORE THAN 50% OF THE FRONT AIR INTAKE AREA DEFINED BETWEEN THE BOTTOM PLATE AND THE SUPPORTING LEGS.
 SEE MANUAL FOR ADDITIONAL INFORMATION



TITLE: 3PH DISTRIBUTION TRANSFORMER
 ENCLOSURE BOTTOM VIEW

NO.	DATE	BY	REVISION	SCALE:
3	21/07/16	PP	EDB UPDATE	DES: GPATEL
2	20/03/17	PP	SEISMIC UPDATE	DATE: 17/06/26
				SCALE: NTS

SHEET 3 OF 3

EDBMC3A0045RKS000

3.0 Jwen 2021/07/16 15:20