



**Hammond Power Solutions Inc.**


TITLE: 3PH DISTRIBUTION TRANSFORMER  
NAMEPLATE INFORMATION

3	21/07/16	PP	EDB UPDATE	DES: DCORTEZ
2	21/04/06	DC	UPDATED TOTAL WEIGHT(HCN: 74439)	DATE: 17/07/28
NO.	DATE	BY	REVISION	SCALE: NTS

SHEET 1 OF 3

EDBMG3A0300RKS AHCO

3.0 Jwen 2021/07/16 15:22



**Hammond Power Solutions**  
Guelph, ONT Compton, CA

**HPS Millennium™ G**  
Energy Efficient Distribution Transformer  
Transformateur de Distribution à Bon Rendement Énergétique

LR 3902  
DISTRIBUTION TRANSFORMER  
E147879

8 03423 13370 2  
ALSO VERIFIED IN ACCORDANCE TO ENERGY STANDARD C802.2-18 BY UNDERWRITERS LABORATORIES INC. 316

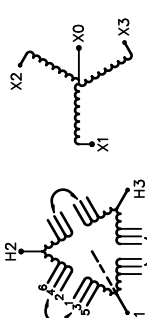
**LISTED**

Hammond Power Solutions  
Guelph, ONT Compton, CA  
Baraboo, WI  
Monterrey, MX

Part No. MG3A0300RKS AHCO

Cust. Ref	Serial No.	HV/HT	2400V	72.2A	CONNECTION FOR CONNECTION PER PHASE
Ref. du Client	No. de Serie	HV/HT	2400V	72.2A	1-2 2-3 3-4 4-5 5-6
Phase		BIL	20 kV		
Type		Term Bornes	H1 H2 H3		
Cooling Refroidissement		LV/BT	480Y/277V	361A	
kVA		BIL	10 kV		
Temp. Rise Echauffement		Term Bornes	X0 X1 X2 X3		
Temp Class Classe Temp		Energy Regulations Règlements de Energetique	DOE 10 CFR PART 431:2016		
Winding Enroulement		Frequency Reglements de Energetique	CEE ACT SOR/2018-201		
Frequency Fréquence Hz		Impedance % @ 170°C			
Impedance % @ 170°C		End. Type/Category Type ou catégorie de boîtier	3R	C	
End. Type/Category Type ou catégorie de boîtier		Weight lbs/kg Poids	2050/930		

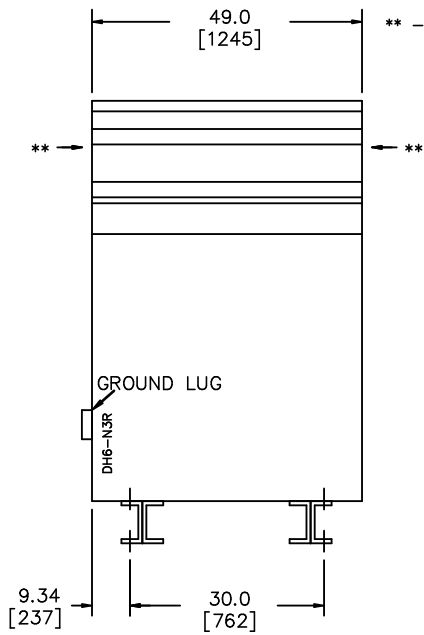
SEISMIC QUALIFICATIONS:  
AS FLOOR MOUNT ONLY  
IBC 2018/ASCE 7-16  
SDS<=2.0g Z/n=0 Ip=1.5



SPACINGS BETWEEN ANY VENTILATED ENCLOSURE PANEL AND ANY ADJACENT WALL SHALL BE A MINIMUM OF 5 INCHES EXCEPT WHEN WALL MOUNTED USING APPROVED WALL MOUNT!

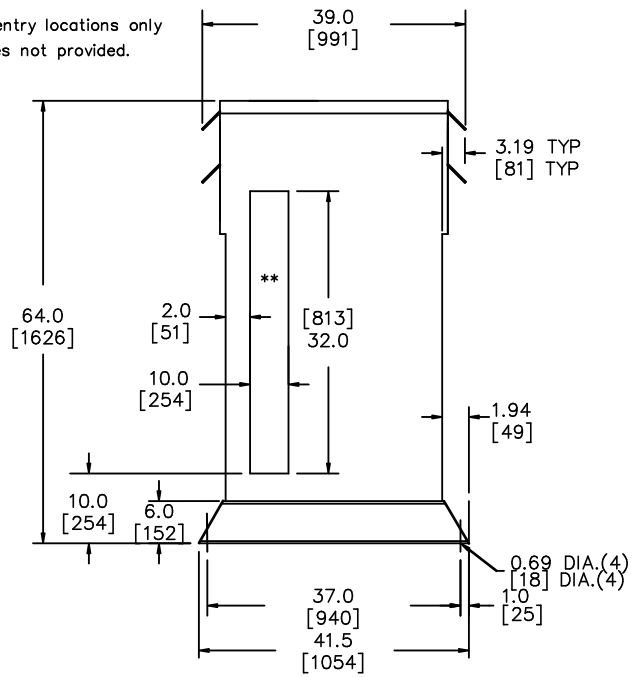
d000590hb

FRONT VIEW



\*\* - Recommended cable entry locations only  
cutouts & gland plates not provided.

SIDE VIEW



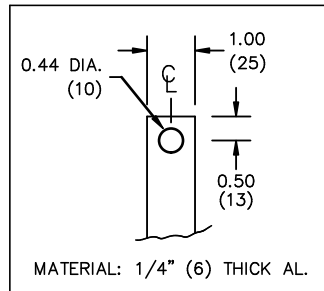
All Dimensions in inches[mm]

ENCLOSURE COLOR : ANSI 61 GREY - OUTDOOR

HV TERMINAL DETAIL

LV TERMINAL DETAIL

MECHANICAL TYPE LUGS INCLUDED  
SUITABLE FOR #2/0-14 CU/AL  
CONDUCTORS  
1 CONDUCTOR PER PHASE



CUSTOMER NOTES:

- HV TERMINATED AT TOP FRONT
- LV TERMINATED AT BOTTOM FRONT



TITLE: 3PH DISTRIBUTION TRANSFORMER

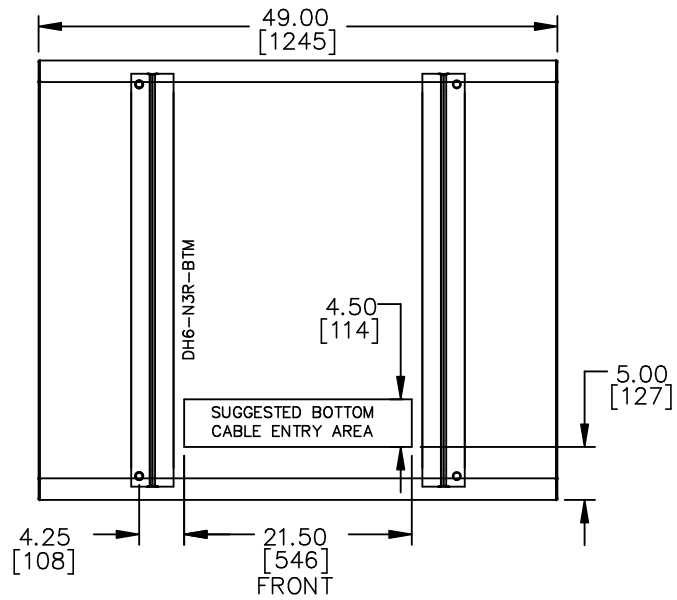
SHEET 2 OF 3

EDBMC3A0300RKS/SAHCO

3.0 Jwen 2021/07/16 15:22

3	21/07/16	PP	EDB UPDATE	DES: DCORTEZ
2	21/04/06	DC	UPDATED TOTAL WEIGHT(HCN: 74439)	DATE: 17/07/28
NO.	DATE	BY	REVISION	SCALE: NTS

ENCLOSURE BOTTOM VIEW



NOTE:  
 WHEN BOTTOM CABLE ENTRY IS OPTED, THE SPACE USED FOR CONDUITS IN THE FRONT OF THE TRANSFORMER SHOULD NOT OBSTRUCT MORE THAN 50% OF THE FRONT AIR INTAKE AREA DEFINED BETWEEN THE BOTTOM PLATE AND THE SUPPORTING LEGS.  
 SEE MANUAL FOR ADDITIONAL INFORMATION



TITLE: 3PH DISTRIBUTION TRANSFORMER  
 ENCLOSURE BOTTOM VIEW

3	21/07/16	PP	EDB UPDATE	DES: DCORTEZ
2	21/04/06	DC	UPDATED TOTAL WEIGHT(HCN: 74439)	DATE: 17/07/28
NO.	DATE	BY	REVISION	SCALE: NTS

SHEET 3 OF 3

EDBMC3A0300RKSAMCO

3.0 Jwen 2021/07/16 15:22