



Hammond Power Solutions Inc.

TITLE: 1 PH MED V CONTROL TRANSFORMER
NAMEPLATE INFORMATION

NO.	DATE	BY	REVISION	DES: LCEN
				DATE: 14/02/19
				SCALE: NTS

SHEET 1 OF 2

EDBMVC2000VE

0.0 root 2023/04/20 17:22

SINGLE PHASE DRY TYPE TRANSFORMER P/N MVC2000VE



GUELPH, ONT BARABOO, WI COMPTON, CA MONTERREY, MX

kVA 2.0

CLASS AA

TYPE G

TEMP. RISE °C 115

TEMP. CLASS °C 180

FREQ. Hz 60

IMPEDANCE % @ — °C —

ENCL. TYPE —

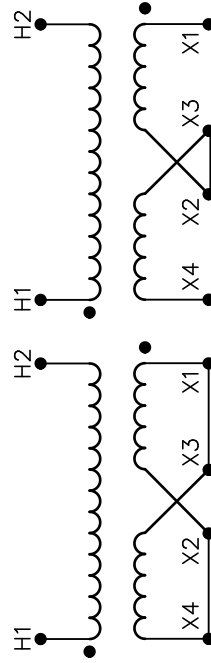
WEIGHT LBS 76

INS. SYSTEM 180-3

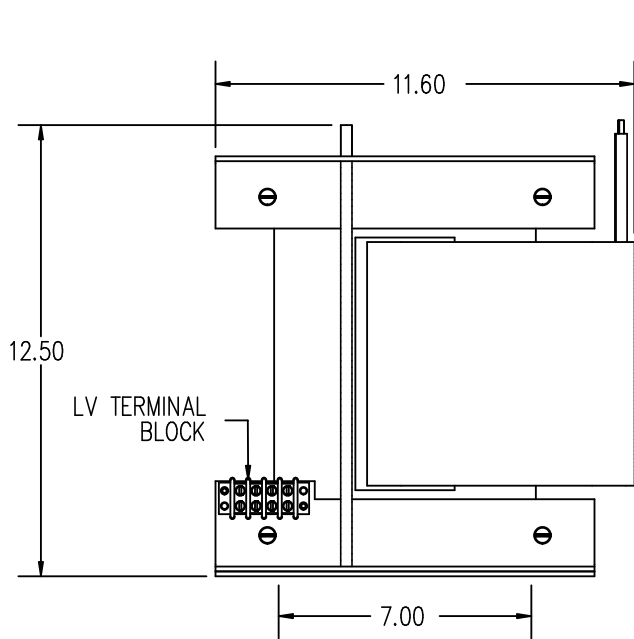
SERIAL NO:

c002202e

V	7200V	LV	120/240
BIL kV	—		—
	H1 H2		X1 X3 X2 X4

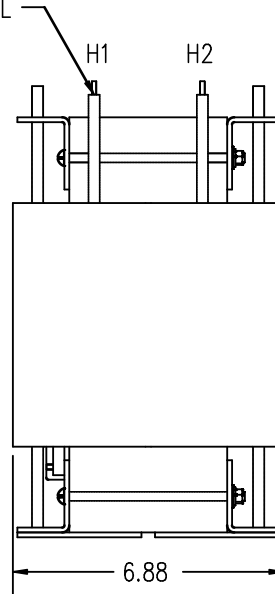


MADE IN CANADA

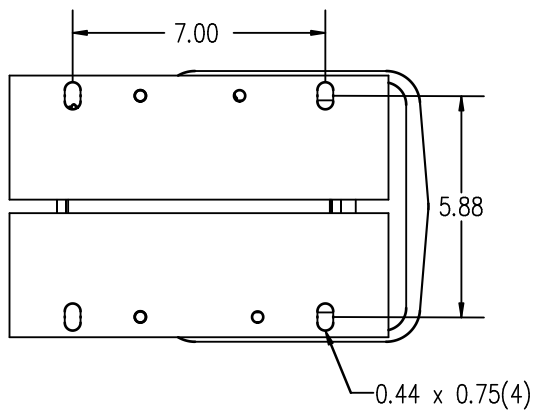


FRONT__VIEW

#12 AWG HV LEADS
24" OUT OF THE COIL



SIDE__VIEW



IF PRIMARY FUSE KIT INSTALL ON THE TOP
PLEASE ADD 4.2" TO THE HEIGHT



Hammond Power Solutions Inc.

TITLE: 1 PH MED V CONTROL TRANSFORMER

				DES: LCEN
				DATE: 14/02/19
NO.	DATE	BY	REVISION	SCALE: NTS

SHEET 2 OF 2

EDBMVC2000VE

0.0 root 2023/04/20 17:22