



Hammond Power Solutions Inc.

TITLE: 1 PHASE MEDIUM VOLTAGE CONTROL TX
NAMEPLATE INFORMATION

NO.	DATE	BY	REVISION	DES:	LCEN
1	19/11/18	LC	CHANGED NAMEPLATE PAGE NOTES	DATE:	12/04/10
				SCALE:	NTS

SHEET 1 OF 2

EDBMVC750QE

1.0 Icon 2019/11/18 13:58

SINGLE PHASE DRY TYPE TRANSFORMER P/N MVC750QE



Hammond Power Solutions

GUELPH, ONT BARABOO, WI COMPTON, CA MONTERREY, MX

kVA 0.75

CLASS AA

TYPE G

TEMP. RISE °C 115

TEMP. CLASS °C 180

FREQ. Hz 60

IMPEDANCE %
@ — °C —

ENCL. TYPE —

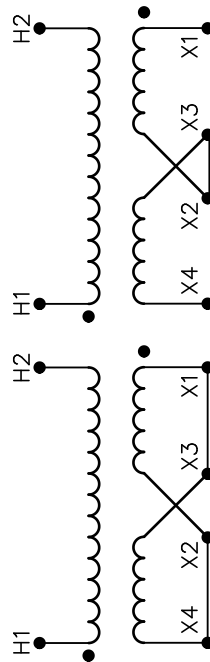
WEIGHT LBS 42

INS. SYSTEM 180-3

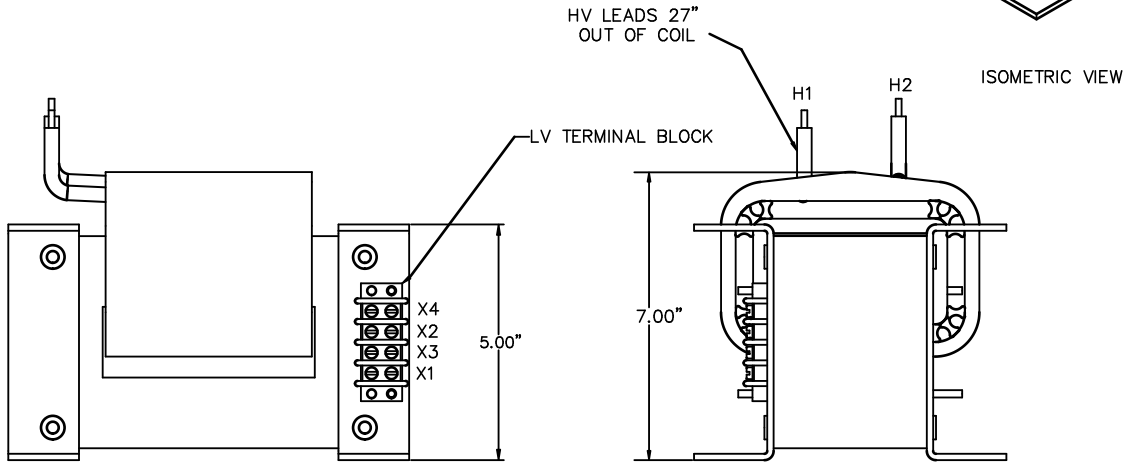
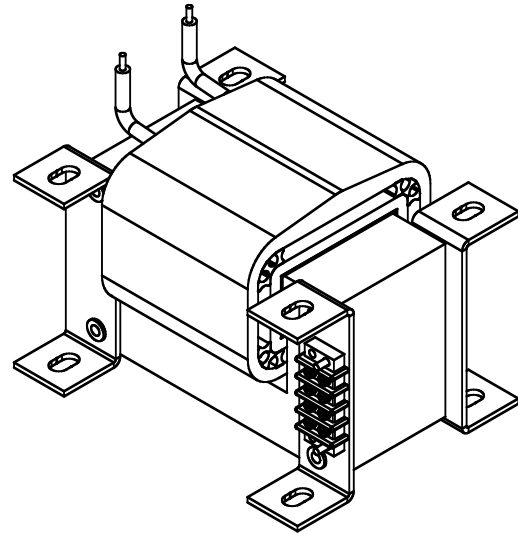
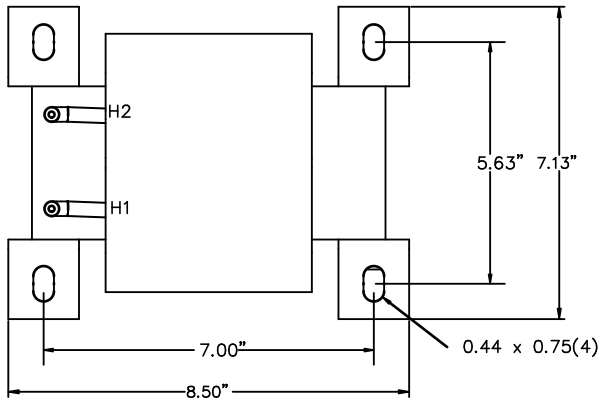
SERIAL NO:

c002202e

HV 3300V LV 120/240
BIL kV —
X1 X2 X3 X4



MADE IN CANADA



Hammond Power Solutions Inc.

TITLE: 1 PHASE MEDIUM VOLTAGE CONTROL TX

1	19/11/18	LC	CHANGED NAMEPLATE PAGE NOTES	DES: LCEN
NO.	DATE	BY	REVISION	SCALE: NTS

SHEET 2 OF 2

EDBMVC750QE

1.0 lcen 2019/11/18 13:58